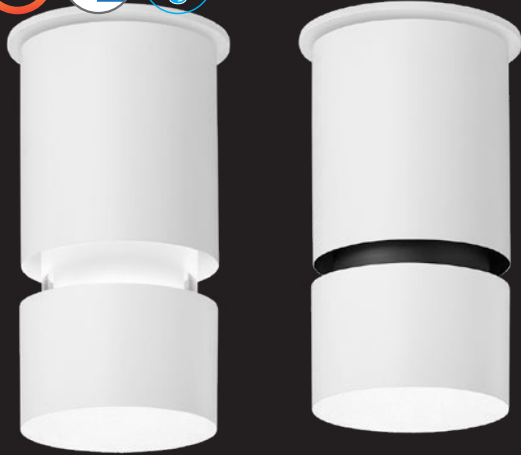


ID+ 3.5" Cylinder

LED SURFACE MOUNT WITH DECORATIVE REVEAL



FOCAL POINT®



Black with White Glow



Palladium Silver with White Glow



Black with Black Non-Glow



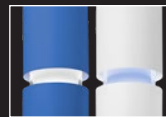
Palladium Silver with Black Non-Glow



Shallow Canopy



Power Canopy



Custom Color Combination

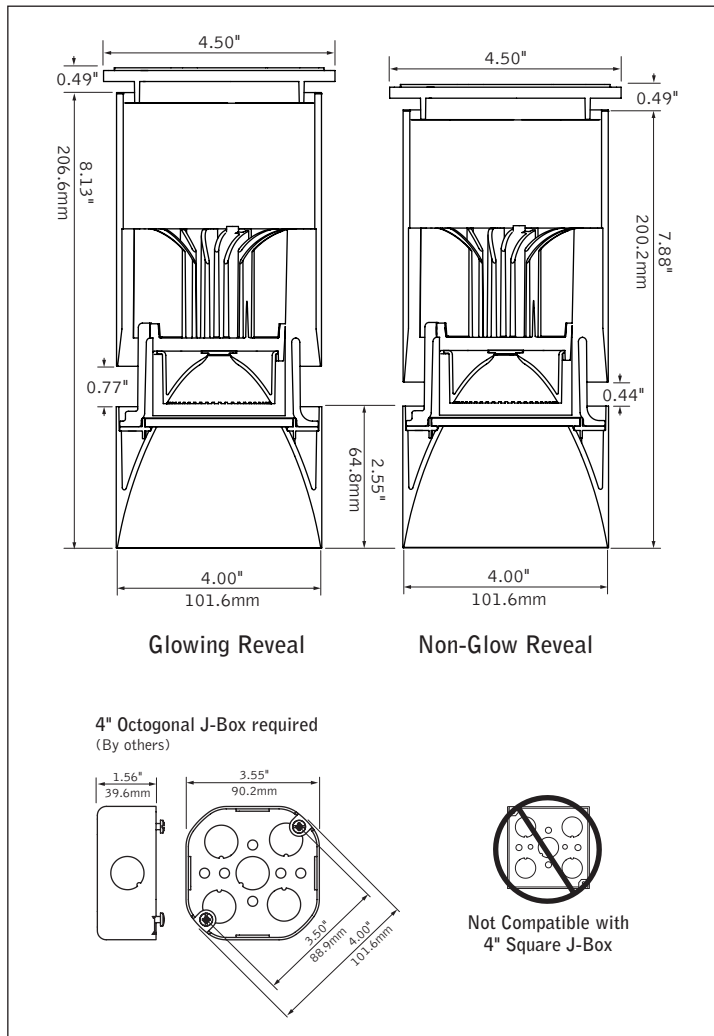


Pendant Mount Companions



Trimless Downlight Companion

DIMENSIONAL DATA (continued on page 3)



FEATURES

3.5" surface mount cylinder with decorative reveal.

Decorative reveal available with or without glow.

Custom color options for finish and glowing reveal.

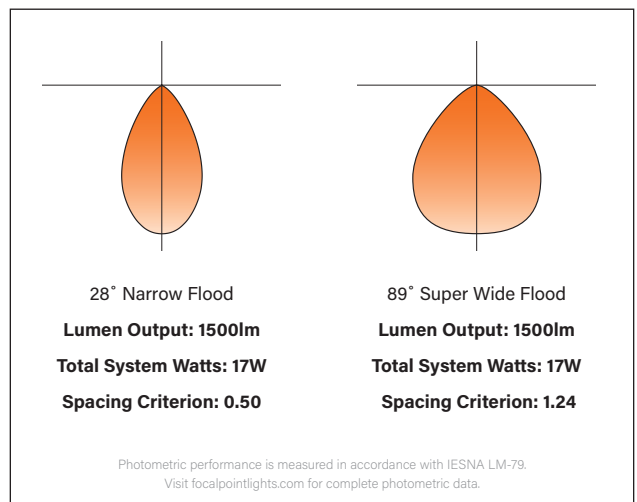
One-piece die-cast reflector with a knife edge for a modern aesthetic.

50° cut-off for brightness control and visual comfort.

Warm Dim: Lighting that enhances spaces with a warm glow, reminiscent of incandescent or halogen light sources.

PoE compatible: Integrates with Power over Ethernet lighting systems via standard, low-voltage wires.

PERFORMANCE



fixture:

project:

SPECIFICATIONS

LED System

Proprietary LED module with single light emitting source. May be specified in 2700K, 3000K, 3500K or 4000K in CRI>80 or CRI>90. 3500K and 4000K with CRI>90 have a cyanosis observation index (COI) of 3.3 or less. Color accuracy within 2 SDCM. Aluminum heat sink provides appropriate thermal management.

Construction

Upper housing is extruded aluminum. Lower reflector is die-cast aluminum. Twist & lock construction leaves no visible fasteners within the knife edge trim. Fixture will not exceed 5 lb.

Optics

Beam spreads achieved with optics that may be easily changed in field.

Cut-off degree	Distribution Beam Spread Spacing Criteria				
	NFL	FL1	FL2	WFL	SWFL
50°	28° 0.50	34° 0.59	45° 0.75	57° 0.80	—
80°	—	—	—	—	89° 1.24

Electrical

Choice of constant current dimming drivers. Power factor > .9 typical. PoE compatible: Integrates with Power over Ethernet lighting systems via standard, low-voltage wires. L11 & LFP with Shallow Canopy, Integral Driver not Right Light as standard, consult factory.

Emergency

Emergency output —7W for 90 minutes. Maximum mounting height: 16.98 ft. J-box cannot be recessed above the ceiling with Emergency Battery.

Labels

UL and cUL listed. Suitable for Dry or Damp Locations, indoor use only. Shallow Canopy with Integral Driver, Wet Location standard, indoor use only.

Finish

Polyester powder coat applied over a multi-stage pre-treatment.

Lumen Maintenance

Reported: L70 > 60,000 hours	Calculated: L70 at > 194,000 hours
L80 > 60,000 hours	L80 at > 120,000 hours

(Derived from EPA TM-21 calculator. Based on typical conditions, consult factory for additional data.)


Reliability

At Focal Point, our products are designed to stand the test of time. Each luminaire is engineered using superior components, manufactured with the utmost care and rigorously tested. Contact us for reliability data.

Warranty

LED system rated for operation in ambient environments up to 25°C. 5 year limited warranty.

PERFORMANCE TABLE

Lumen Output	Delivered Lumens	System Watts	LPW
700L	736	8	96
1000L	1082	12	94
1500L	1582	17	92
 1500L	1145	23	49
1700L	1743	19	91
2000L	2057	24	86

Glowing Reveal, 3500K, 80CRI, Clear Diffuse, Narrow Flood Distribution. Warm Dim based on 3000 - 1800K, 90 CRI. Lumen output may vary +/- 5%. Actual wattage may vary +/- 5%.

ORDERING

Luminaire Series	FLCY3	FLCY3
ID+ 3.5" Round Cylinder		
Trim Type		RD
Round		
Decorative Reveal		
White Non-Glow Reveal		WHR
Black Non-Glow Reveal		BKR
White Glowing Reveal		WHG
Custom Color Glowing Reveal		RAL_ _ _ _
<small>(Specify your RAL color value. Extended lead time consult factory)</small>		
Lumen Output		
700 Lumens		700L
1000 Lumens		1000L
1500 Lumens		1500L
1700 Lumens		1700L
2000 Lumens		2000L
<small>(Power Canopy only)</small>		
Color Temperature		
2700K, 80+ CRI or 90+ CRI		27K or 927K
3000K, 80+ CRI or 90+ CRI		30K or 930K
3500K, 80+ CRI or 90+ CRI		35K or 935K
4000K, 80+ CRI or 90+ CRI		40K or 940K
Warm Dim: 2700-1800K, 90+ CRI		92718W
Warm Dim: 3000-1800K, 90+ CRI		93018W
<small>(Warm Dim: 1500lm only. EM not available.)</small>		
Circuit		1C
Single Circuit		1C
Voltage		
120/277 UNV		UNV
120 Volt		120
277 Volt		277
Low Voltage		LV
Canopy Configuration		
Shallow Canopy, Integral Driver		SC
<small>(L11, LVN & LFP only)</small>		
Power Canopy		PC
Control System & Dimming Level		
0-10V - 0% Dimming		LZ1
0-10V - 1% Dimming		L11
Low Voltage, PoE compatible		LVN
<small>(No driver. Not available with EMR. SC canopy and LV Voltage only)</small>		
Forward Phase - 1% Dimming		LFP
<small>(Shallow Canopy, Integral Driver, 120V only)</small>		
Lutron Hi-Lume EcoSystem (LDE1) - 1% Dimming		LH1
Lutron Hi-Lume - Forward Phase - 1% Dimming (120V only)		LTE
DALI - 0% Dimming		DZ1
DALI - 1% Dimming		D11
Mounting		SM
Surface Mount		SM
Optic		
50° Cut-off Cone		DNT
<small>(Not available with SWFL distribution)</small>		
50° Cut-off Cone with Solite Lens		DNTS
<small>(NFL distribution only)</small>		
80° Cut-off Cone		DSS
<small>(SWFL distribution only)</small>		
Distribution		
Narrow Flood		NFL
Flood 1		FL1
Flood 2		FL2
Wide Flood		WFL
Super Wide Flood		SWFL
Factory Options		
Emergency Battery		EMR
<small>(J-box cannot be recessed above the ceiling. Remote test switch.)</small>		
Reflector Color		CD
Clear Diffuse		CD
Luminaire Finish		CD
<small>(Cylinder and canopy finish match)</small>		
Black		BK
White		WH
Palladium Silver		PS
Custom Color		RAL_ _ _ _
<small>(Specify your RAL color value. Extended lead time consult factory)</small>		



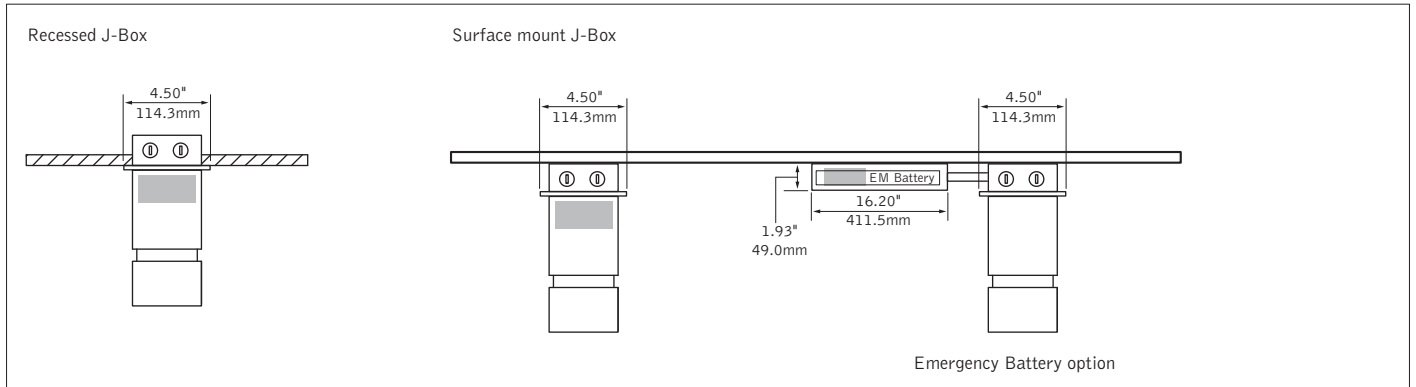
ID+ 3.5" Cylinder

LED SURFACE MOUNT WITH DECORATIVE REVEAL

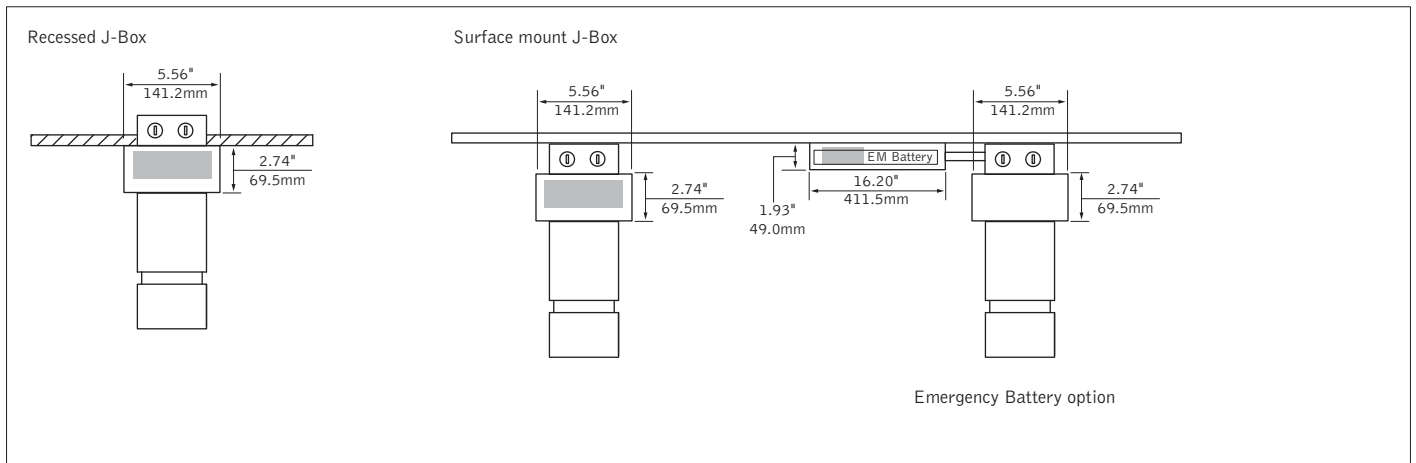
DIMENSIONAL DATA CONTINUED

SC - Shallow Canopy, Integral Driver

■ Indicates Driver Location

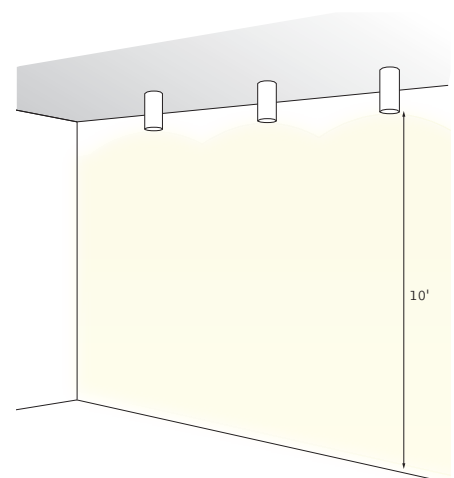


PC - Power Canopy



NON-SCALLOPING SUPER WIDE FLOOD DESIGN GUIDE - 1500 LUMEN EXAMPLE

Distance from bottom of fixture	Footcandles					
	Fixtures 3' from Wall		Fixtures 3.5' from Wall		Fixtures 4' from Wall	
	3' OC	3.5' OC	3' OC	3.5' OC	3' OC	3.5' OC
1'-0"	3"	2 2 2	2 2 2	2 2 2	2 2 2	1 1 1
	6"	2 2 2	2 2 2	2 2 2	2 2 2	2 2 2
	9"	3 3 3	3 3 3	3 3 3	2 2 2	2 2 2
	12"	3 3 3	3 3 3	3 3 3	2 2 2	2 2 2
2'	8 8 8	7 7 7	6 6 6	5 5 5	5 5 5	4 4 4
3'	15 15 15	13 13 13	11 11 11	10 10 10	8 8 8	7 7 7
4'	19 19 19	16 16 16	15 15 15	13 13 13	12 12 12	11 11 11
5'	19 19 19	16 16 16	17 17 17	15 15 15	15 15 15	13 13 13
6'	17 17 17	14 14 14	16 16 16	14 14 14	15 15 15	13 13 13
7'	15 15 15	13 13 13	15 15 15	13 13 13	14 14 14	12 12 12
8'	13 13 13	11 11 11	13 13 13	11 11 11	13 13 13	11 11 11
9'	11 11 11	9 9 9	11 11 11	10 10 10	12 12 12	10 10 10
10'	9 9 9	8 8 8	10 10 10	8 8 8	10 10 10	9 9 9



ID+ 3.5" Cylinder

LED SURFACE MOUNT WITH DECORATIVE REVEAL

3.5" CYLINDER LUMEN MULTIPLIER TABLE

Color Temperature & CRI

Trim Type	Optic	Color Temperature	Multiplier
Round [RD]	ALL	2700K, 80+ CRI [27K]	0.93
		2700K, 90+ CRI [927K]	0.78
		3000K, 80+ CRI [30K]	0.97
		3000K, 90+ CRI [930K]	0.81
		3500K, 80+ CRI [35K]	1.00
		3500K, 90+ CRI [935K]	0.83
		4000K, 80+ CRI [40K]	1.01
		4000K, 90+ CRI [940K]	0.86
		2700-1800K, 90+ CRI [92718W]	0.76
3000-1800K, 90+ CRI [93018W]	0.72		

Optic & Distribution

Trim Type	Optic	Distribution	Multiplier
Round [RD]	Tall Cone, 50° cut-off [DNT]	Narrow Flood (28°) [NFL]	1.00
		Flood 1 (34°) [FL1]	0.89
		Flood 2 (45°) [FL2]	0.75
		Wide Flood (57°) [WFL]	0.75
	Tall Cone, 50° cut-off with Solite Lens [DNLS]	Narrow Flood (28°) [NFL]	0.97
	Super Short Cone, 80° cut-off [DSS]	Super Wide Flood (89°) [SWFL]	0.74

Multiplier tables are provided to aid with estimation of lumen levels across options. Apply multipliers against ordered Lumen Output to estimate Delivered Lumens. Refer to IES files for most accurate photometric information.

How To Use Lumen Multipliers

Formula: (Lumen Output Value) x (Color Temperature & CRI) x (Optic & Distribution)

Example: FLCY3-RD-1000L-935K-DNT-FL1

(1000) x (0.83) x (0.87) ≈ 722 lm (estimated delivered lumens)