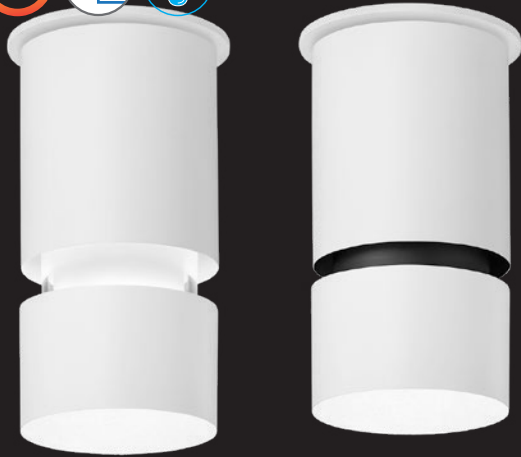


# ID+ 3.5" Cylinder

LED SURFACE MOUNT WITH DECORATIVE REVEAL



FOCAL POINT®



Black with White Glow



Palladium Silver with White Glow



Black with Black Non-Glow



Palladium Silver with Black Non-Glow



Shallow Canopy



Power Canopy



Custom Color Combination

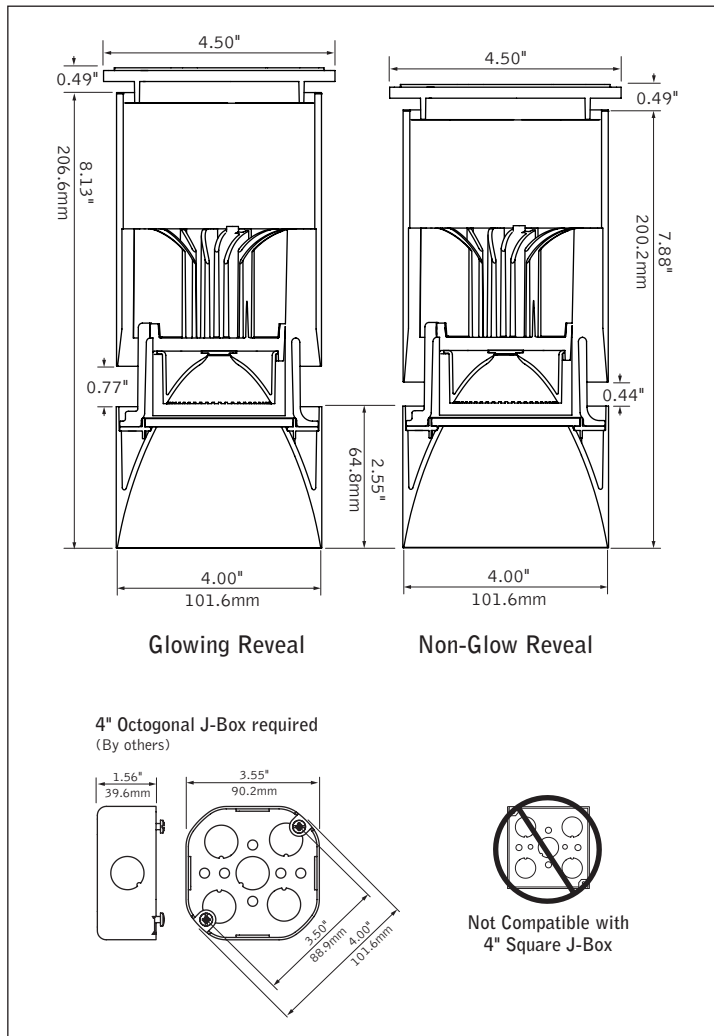


Pendant Mount Companions



Trimless Downlight Companion

## DIMENSIONAL DATA (continued on page 3)



## FEATURES

3.5" surface mount cylinder with decorative reveal.

Decorative reveal available with or without glow.

Custom color options for finish and glowing reveal.

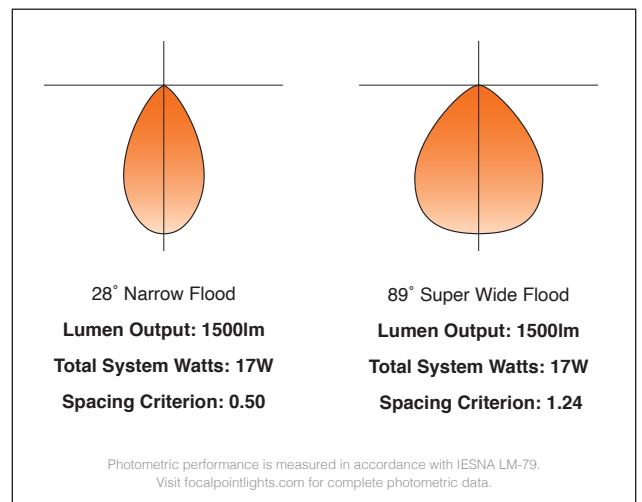
One-piece die-cast reflector with a knife edge for a modern aesthetic.

50° cut-off for brightness control and visual comfort.

Warm Dim: Lighting that enhances spaces with a warm glow, reminiscent of incandescent or halogen light sources.

PoE compatible: Integrates with Power over Ethernet lighting systems via standard, low-voltage wires.

## PERFORMANCE



fixture:

project:

### SPECIFICATIONS

#### LED System

Proprietary LED module with single light emitting source. May be specified in 2700K, 3000K, 3500K or 4000K in CRI>80 or CRI>90. 3500K and 4000K with CRI>90 have a cyanosis observation index (COI) of 3.3 or less. Color accuracy within 2 SDCM. Aluminum heat sink provides appropriate thermal management.

#### Construction

Upper housing is extruded aluminum. Lower reflector is die-cast aluminum. Twist & lock construction leaves no visible fasteners within the knife edge trim. Fixture will not exceed 5 lb.

#### Optics

Beam spreads achieved with optics that may be easily changed in field.

| Cut-off degree | Distribution Beam Spread   Spacing Criteria |            |            |            |            |
|----------------|---|------------|------------|------------|------------|
|                | NFL   | FL1        | FL2        | WFL        | SWFL       |
| 50°            | 28°   0.50                                  | 34°   0.59 | 45°   0.75 | 57°   0.80 | —          |
| 80°            | —   | —          | —          | —          | 89°   1.24 |

#### Electrical

Choice of constant current dimming drivers. Power factor > .9 typical. PoE compatible: Integrates with Power over Ethernet lighting systems via standard, low-voltage wires. L11 & LFP with Shallow Canopy, Integral Driver not Right Light as standard, consult factory.

#### Emergency

Emergency output —7W for 90 minutes. Maximum mounting height: 16.98 ft J-box cannot be recessed above the ceiling with Emergency Battery.

#### Labels

UL and cUL listed. Suitable for Dry or Damp Locations, indoor use only. Shallow Canopy with Integral Driver, Wet Location standard, indoor use only.

#### Finish

Polyester powder coat applied over a multi-stage pre-treatment.

#### Lumen Maintenance

Reported: L70 > 60,000 hours  
L80 > 60,000 hours  
Calculated: L70 at > 194,000 hours  
L80 at > 120,000 hours  
(Derived from EPA TM-21 calculator. Based on typical conditions, consult factory for additional data.)


#### Reliability

At Focal Point, our products are designed to stand the test of time. Each luminaire is engineered using superior components, manufactured with the utmost care and rigorously tested. Contact us for reliability data.

#### Warranty

LED system rated for operation in ambient environments up to 25°C. 5 year limited warranty.

### PERFORMANCE TABLE

| Lumen Output  | Delivered Lumens | System Watts | LPW |
|---|------------------|--------------|-----|
| 700L  | 736              | 8            | 96  |
| 1000L   | 1082             | 12           | 94  |
| 1500L   | 1582             | 17           | 92  |
|  1500L | 1145             | 23           | 49  |
| 1700L   | 1743             | 19           | 91  |
| 2000L   | 2057             | 24           | 86  |

Glowing Reveal, 3500K, 80CRI, Clear Diffuse, Narrow Flood Distribution. Warm Dim based on 3000 - 1800K, 90 CRI. Lumen output may vary +/- 5%. Actual wattage may vary +/- 5%.

### ORDERING

**Luminaire Series**  
ID+ 3.5" Round Cylinder **FLCY3**

**Trim Type**  
Round **RD**

**Decorative Reveal**  
White Non-Glow Reveal **WHR**  
Black Non-Glow Reveal **BKR**  
White Glowing Reveal **WHG**  
Custom Color Glowing Reveal **RAL\_ \_ \_ \_**  
(Specify your RAL color value. Extended lead time consult factory.)

**Lumen Output**  
700 Lumens **700L**  
1000 Lumens **1000L**  
1500 Lumens **1500L**  
1700 Lumens **1700L**  
2000 Lumens **2000L**  
(Power Canopy only)

**Color Temperature**  
2700K, 80+ CRI or 90+ CRI **27K or 927K**  
3000K, 80+ CRI or 90+ CRI **30K or 930K**  
3500K, 80+ CRI or 90+ CRI **35K or 935K**  
4000K, 80+ CRI or 90+ CRI **40K or 940K**  
Warm Dim: 2700-1800K, 90+ CRI **92718W**  
Warm Dim: 3000-1800K, 90+ CRI **93018W**  
(Warm Dim: 1500lm only. EM not available.)

**Circuit** **1C**

Single Circuit **1C**

**Voltage**

120/277 UNV **UNV**

120 Volt **120**

277 Volt **277**

Low Voltage **LV**

**Canopy Configuration**

Shallow Canopy, Integral Driver **SC**  
(L11, LVN & LFP only.)

Power Canopy **PC**

**Control System & Dimming Level**

0-10V - 0% Dimming **LZ1**

0-10V - 1% Dimming **L11**

Low Voltage, PoE compatible **LVN**  
(No driver. Not available with EMR, SC canopy and LV Voltage only.)

Forward Phase - 1% Dimming **LFP**  
(Shallow Canopy, Integral Driver, 120V only)

Lutron Hi-Lume EcoSystem (LDE1) - **LH1**

1% Dimming

Lutron Hi-Lume - Forward Phase - **LTE**

1% Dimming (120V only)

Lutron 5-Series EcoSystem (LDES) - **LU5**

5% Dimming (Not available with 700L)

DALI - 0% Dimming **DZ1**

DALI - 1% Dimming **D11**

**Mounting**

Surface Mount **SM**

**Optic**

50° Cut-off Cone **DNT**  
(Not available with SWFL distribution)

50° Cut-off Cone with Solite Lens **DNTS**  
(NFL distribution only)

80° Cut-off Cone **DSS**  
(SWFL distribution only)

**Distribution**

Narrow Flood **NFL**

Flood 1 **FL1**

Flood 2 **FL2**

Wide Flood **WFL**

Super Wide Flood **SWFL**

**Factory Options**

Emergency Battery **EMR**  
(J-box cannot be recessed above the ceiling. Remote test switch.)

**Reflector Color**

Clear Diffuse **CD**

**Luminaire Finish**  
(Cylinder and canopy finish match)

Black **BK**

White **WH**

Palladium Silver **PS**

Custom Color **RAL\_ \_ \_ \_**  
(Specify your RAL color value. Extended lead time consult factory.)

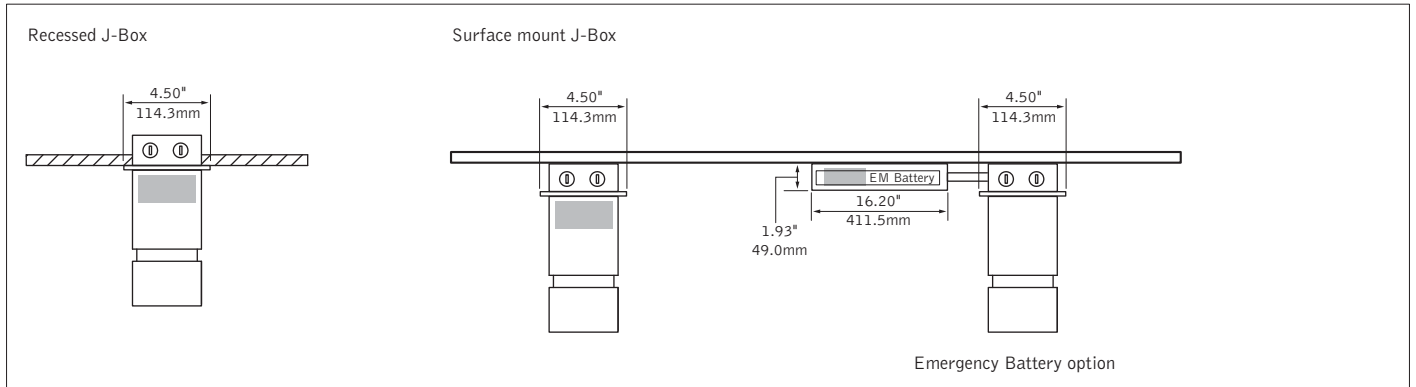
# ID+ 3.5" Cylinder

LED SURFACE MOUNT WITH DECORATIVE REVEAL

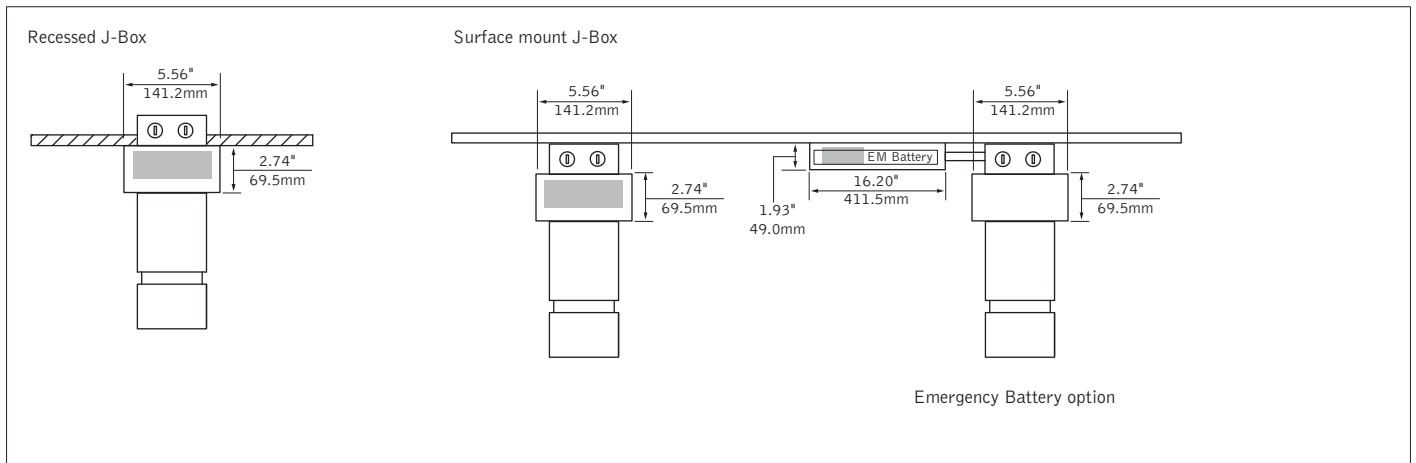
## DIMENSIONAL DATA CONTINUED

### SC - Shallow Canopy, Integral Driver

■ Indicates Driver Location

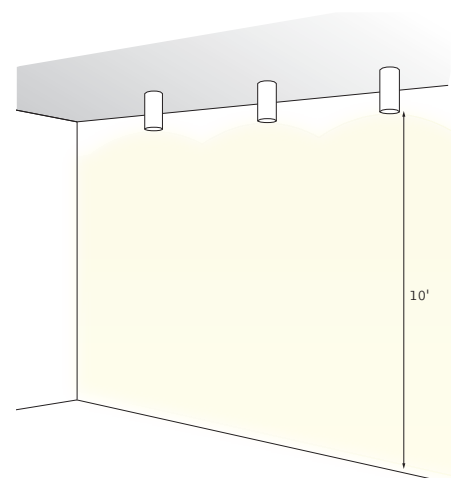


### PC - Power Canopy



## NON-SCALLOPING SUPER WIDE FLOOD DESIGN GUIDE - 1500 LUMEN EXAMPLE

| Distance from bottom of fixture | Footcandles           |          |                         |          |                       |          |
|---------------------------------|-----------------------|----------|-------------------------|----------|-----------------------|----------|
|                                 | Fixtures 3' from Wall |          | Fixtures 3.5' from Wall |          | Fixtures 4' from Wall |          |
|                                 | 3' OC                 | 3.5' OC  | 3' OC                   | 3.5' OC  | 3' OC                 | 3.5' OC  |
| 1'-0"                           | 3"                    | 2 2 2    | 2 2 2                   | 2 2 2    | 2 2 2                 | 1 1 1    |
|                                 | 6"                    | 2 2 2    | 2 2 2                   | 2 2 2    | 2 2 2                 | 2 2 2    |
|                                 | 9"                    | 3 3 3    | 3 3 3                   | 3 3 3    | 2 2 2                 | 2 2 2    |
|                                 | 12"                   | 3 3 3    | 3 3 3                   | 3 3 3    | 2 2 2                 | 2 2 2    |
| 2'                              | 8 8 8                 | 7 7 7    | 6 6 6                   | 5 5 5    | 5 5 5                 | 4 4 4    |
| 3'                              | 15 15 15              | 13 13 13 | 11 11 11                | 10 10 10 | 8 8 8                 | 7 7 7    |
| 4'                              | 19 19 19              | 16 16 16 | 15 15 15                | 13 13 13 | 12 12 12              | 11 11 11 |
| 5'                              | 19 19 19              | 16 16 16 | 17 17 17                | 15 15 15 | 15 15 15              | 13 13 13 |
| 6'                              | 17 17 17              | 14 14 14 | 16 16 16                | 14 14 14 | 15 15 15              | 13 13 13 |
| 7'                              | 15 15 15              | 13 13 13 | 15 15 15                | 13 13 13 | 14 14 14              | 12 12 12 |
| 8'                              | 13 13 13              | 11 11 11 | 13 13 13                | 11 11 11 | 13 13 13              | 11 11 11 |
| 9'                              | 11 11 11              | 9 9 9    | 11 11 11                | 10 10 10 | 12 12 12              | 10 10 10 |
| 10'                             | 9 9 9                 | 8 8 8    | 10 10 10                | 8 8 8    | 10 10 10              | 9 9 9    |



# ID+ 3.5" Cylinder

LED SURFACE MOUNT WITH DECORATIVE REVEAL

## 3.5" CYLINDER LUMEN MULTIPLIER TABLE

### Color Temperature & CRI

| Trim Type                    | Optic | Color Temperature            | Multiplier |
|------------------------------|-------|------------------------------|------------|
| Round [RD]                   | ALL   | 2700K, 80+ CRI [27K]         | 0.93       |
|                              |       | 2700K, 90+ CRI [927K]        | 0.78       |
|                              |       | 3000K, 80+ CRI [30K]         | 0.97       |
|                              |       | 3000K, 90+ CRI [930K]        | 0.81       |
|                              |       | 3500K, 80+ CRI [35K]         | 1.00       |
|                              |       | 3500K, 90+ CRI [935K]        | 0.83       |
|                              |       | 4000K, 80+ CRI [40K]         | 1.01       |
|                              |       | 4000K, 90+ CRI [940K]        | 0.86       |
|                              |       | 2700-1800K, 90+ CRI [92718W] | 0.76       |
| 3000-1800K, 90+ CRI [93018W] | 0.72  |                              |            |

### Optic & Distribution

| Trim Type  | Optic  | Distribution                  | Multiplier |
|------------|--|-------------------------------|------------|
| Round [RD] | Tall Cone, 50° cut-off [DNT]                   | Narrow Flood (28°) [NFL]      | 1.00       |
|            |  | Flood 1 (34°) [FL1]           | 0.89       |
|            |  | Flood 2 (45°) [FL2]           | 0.75       |
|            |  | Wide Flood (57°) [WFL]        | 0.75       |
|            | Tall Cone, 50° cut-off with Solite Lens [DNLS] | Narrow Flood (28°) [NFL]      | 0.97       |
|            | Super Short Cone, 80° cut-off [DSS]            | Super Wide Flood (89°) [SWFL] | 0.74       |

Multiplier tables are provided to aid with estimation of lumen levels across options. Apply multipliers against ordered Lumen Output to estimate Delivered Lumens. Refer to IES files for most accurate photometric information.

### How To Use Lumen Multipliers

**Formula:** (Lumen Output Value) x (Color Temperature & CRI) x (Optic & Distribution)

**Example:** FLCY3-RD-1000L-935K-DNT-FL1

(1000) x (0.83) x (0.87) ≈ 722 lm (estimated delivered lumens)