

# ID+ 3.5" Cylinder

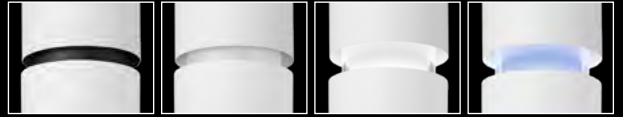
LED SURFACE MOUNT WITH DECORATIVE REVEAL



FOCAL POINT®



The Naturals collection - White/Chestnut shown

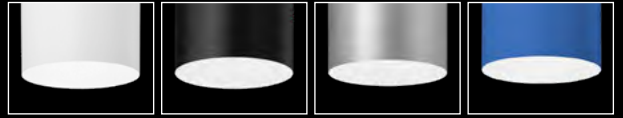


Black Non-Glow

White Non-Glow

White Glow

Custom RAL Glow

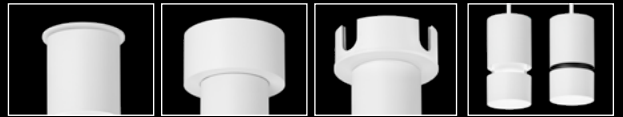


White

Black

Palladium Silver

Custom RAL



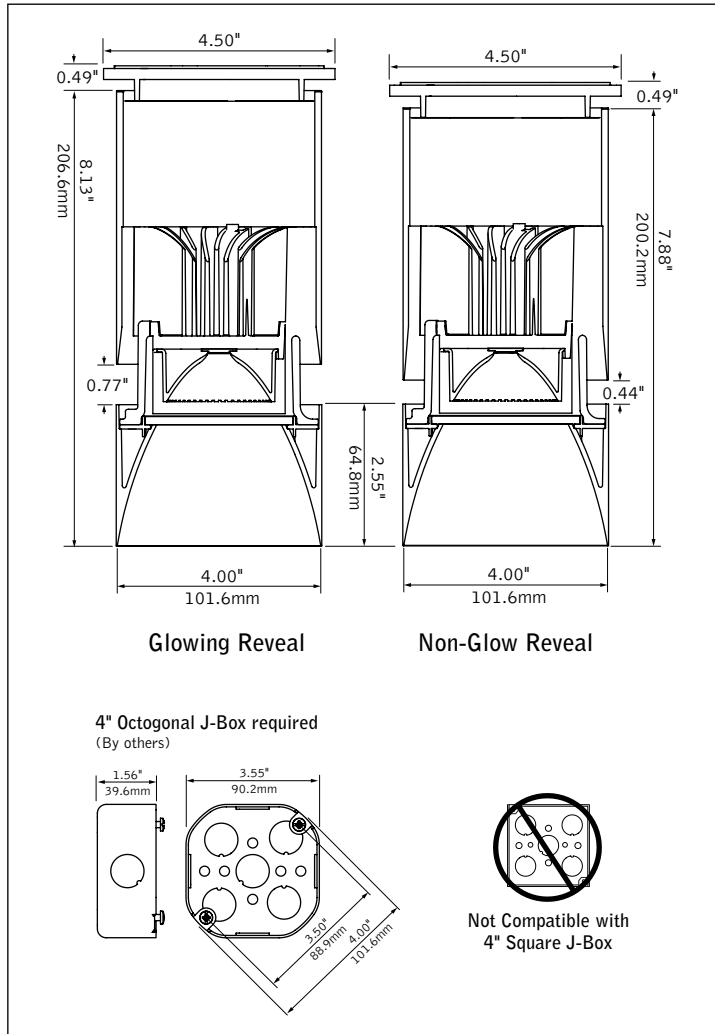
Shallow Canopy

Power Canopy

Decorative Canopies

Pendant Mount Companions

## DIMENSIONAL DATA (continued on page 3 & 4)



## FEATURES

3.5" cylinder pendant with decorative reveal; glow or non-glow options.

One-piece die-cast reflector with a knife edge for a modern aesthetic.

50° cut-off for brightness control and visual comfort.

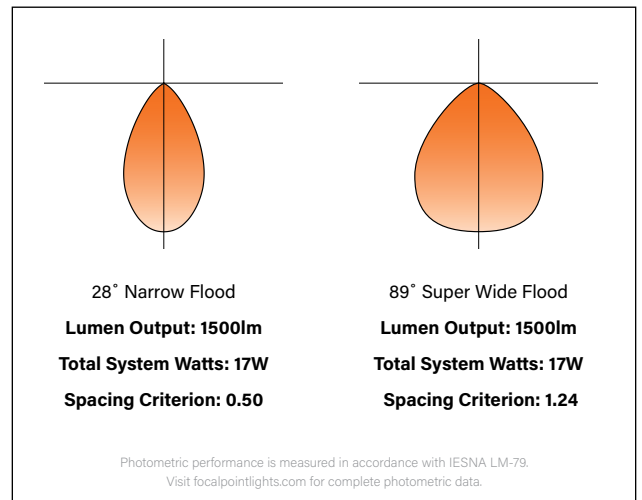
Multiple canopy options enable various driver offerings and conduit installations while maintaining premier aesthetics.

Available with The Naturals, a series of finishes that exude biophilic beauty.

Warm Dim: Lighting that enhances spaces with a warm glow, reminiscent of incandescent or halogen light sources.

PoE compatible: Integrates with Power over Ethernet lighting systems via standard, low-voltage wires.

## PERFORMANCE



fixture:

project:

### SPECIFICATIONS

#### LED System

Proprietary LED module with single light emitting source. May be specified in 2700K, 3000K, 3500K or 4000K in CRI>80 or CRI>90. 3500K and 4000K with CRI>90 have a cyanosis observation index (COI) of 3.3 or less. Color accuracy within 2 SDCM. Aluminum heat sink provides appropriate thermal management.

#### Construction

Upper housing is extruded aluminum. Lower reflector is die-cast aluminum. Twist & lock construction leaves no visible fasteners within the knife edge trim. Fixture will not exceed 5 lb.

#### Optics

Beam spreads achieved with optics that may be easily changed in field.

Cut-off degree	Distribution Beam Spread   Spacing Criteria				
	NFL	FL1	FL2	WFL	SWFL
50°	28°   0.50	34°   0.59	45°   0.75	57°   0.80	—
80°	—	—	—	—	89°   1.24

#### Electrical

Choice of constant current dimming drivers. Power factor > .9 typical. PoE compatible: Integrates with Power over Ethernet lighting systems via standard, low-voltage wires. L11 & LFP with Shallow Canopy, Integral Driver not Right Light as standard, consult factory.

#### Emergency

Emergency output —7W for 90 minutes. Maximum mounting height: 16.98 ft J-box cannot be recessed above the ceiling with Emergency Battery.

#### Labels

UL and cUL listed. Suitable for Dry or Damp Locations, indoor use only. Shallow Canopy with Integral Driver, Wet Location standard, indoor use only.

#### Finish

Polyester powder coat applied over a multi-stage pre-treatment. The Naturals: 100% low VOC vinyl.

#### Lumen Maintenance

Reported: L70 > 60,000 hours  
L80 > 60,000 hours  
Calculated: L70 at > 194,000 hours  
L80 at > 120,000 hours  
(Derived from EPA TM-21 calculator. Based on typical conditions, consult factory for additional data.)

#### Reliability

At Focal Point, our products are designed to stand the test of time. Each luminaire is engineered using superior components, manufactured with the utmost care and rigorously tested. Contact us for reliability data.

#### Warranty

LED system rated for operation in ambient environments up to 25°C. 5 year limited warranty.

### PERFORMANCE TABLE

Lumen Output	Delivered Lumens	System Watts	LPW
700L	736	8	96
1000L	1082	12	94
1500L	1582	17	92
1500L	1145	23	49
1700L	1743	19	91
2000L	2057	24	86

Glowing Reveal, 3500K, 80CRI, Clear Diffuse, Narrow Flood Distribution. Warm Dim based on 3000 - 1800K, 90 CRI. Lumen output may vary +/- 5%. Actual wattage may vary +/- 5%.

Options in orange qualify for the Quickship program. 10-day up to 50 pieces. Refer to Quickship Guide for complete details.

Focal Point LLC reserves the right to change specifications for product improvement without notification.

### ORDERING

**Luminaire Series**  
ID+ 3.5" Round Cylinder **FLCY3**

**Trim Type**  
Round **RD**

**Decorative Reveal**  
White Non-Glow Reveal **WHR**  
Black Non-Glow Reveal **BKR**  
White Glowing Reveal **WHG**  
Custom Color Glowing Reveal<sup>1</sup> **RAL\_ \_ \_ \_**

**Lumen Output**  
700 Lumens **700L**  
1000 Lumens **1000L**  
1500 Lumens **1500L**  
1700 Lumens **1700L**  
2000 Lumens (PC & DPC only) **2000L**

**Color Temperature**  
2700K, 80+ CRI or 90+ CRI **27K or 927K**  
3000K, 80+ CRI or 90+ CRI **30K or 930K**  
3500K, 80+ CRI or 90+ CRI **35K or 935K**  
4000K, 80+ CRI or 90+ CRI **40K or 940K**  
Warm Dim: 2700-1800K, 90+ CRI **92718W**  
Warm Dim: 3000-1800K, 90+ CRI **93018W**  
(Warm Dim: 1500L only. EM not available PC & DPC only)

**Circuit**  
Single Circuit **1C**

**Voltage**  
120/277 UNV **UNV**  
120 Volt **120**  
277 Volt **277**  
Low Voltage **LV**

**Canopy Configuration**  
(BK and WH finish by default, see finishes page for details. Optional Naturals finishes may be specified for Shallow Canopy (SC) and Power Canopy (PC) by adding the finish color to the canopy code. For example: Shallow Canopy in Light Oak = SCLOK.)

Shallow Canopy, Integral Driver\* **SC**  
Shallow Canopy with decorative\* J-box cover, Integral Driver **DSC**  
Power Canopy **PC**  
Power Canopy with decorative J-box cover **DPC**

**Control System & Dimming Level**  
0-10V - 0% Dimming **LZ1**  
0-10V - 1% Dimming **L11**  
**LVN**

Low Voltage, PoE compatible  
(No driver. Not available with EMR, SC or DSC with LV Voltage only.)

Phase Dimming **LFP**  
(SC with 120V only. Consult factory for recommended dimmers.)  
Lutron Hi-Lume EcoSystem (LDE1) - **LH1**  
1% Dimming  
DALI - 0% Dimming **DZ1**  
DALI - 1% Dimming **D11**

**Mounting**  
Surface Mount **SM**

**Optic**  
50° Cut-off Cone **DNT**  
(Not available with SWFL distribution)  
50° Cut-off Cone with Solite Lens **DNTS**  
(NFL distribution only)  
80° Cut-off Cone **DSS**  
(SWFL distribution only)

**Distribution**  
Narrow Flood **NFL**  
Flood 1 **FL1**  
Flood 2 **FL2**  
Wide Flood **WFL**  
Super Wide Flood **SWFL**

**Factory Options**  
Emergency Battery **EMR**  
(J-box cannot be recessed above the ceiling. Remote test switch.)

**Reflector Color**  
Clear Diffuse **CD**

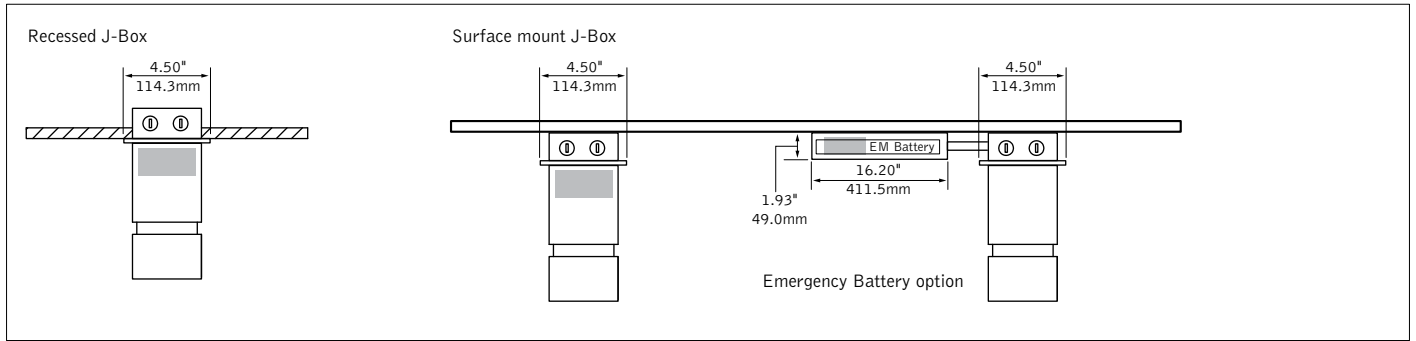
**Luminaire Finish**  
Upper Housing Finish  
Lower Housing Finish

Specify an upper and lower housing finish. See finishes page for The Naturals options and standard color combinations for cylinder, cord/stem, and canopy.  
Black **BK**  
White **WH**  
Palladium Silver **PS**  
Custom Color<sup>1</sup> **RAL\_ \_ \_ \_**  
\* (L1, LVN & LFP only.)  
<sup>1</sup>(Specify your RAL code. Extended lead time. Consult factory.)

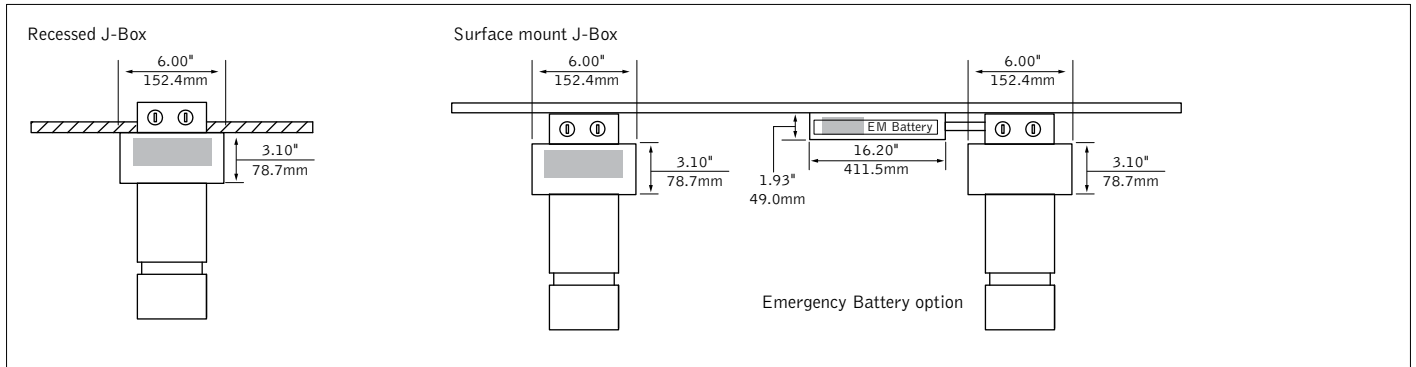
**DIMENSIONAL DATA CONTINUED**

**SC - Shallow Canopy, Integral Driver**

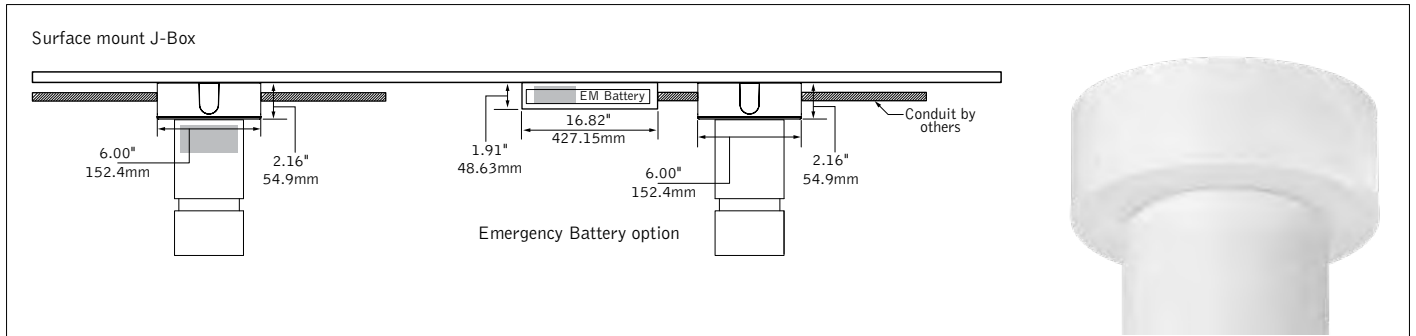
■ Indicates Driver Location



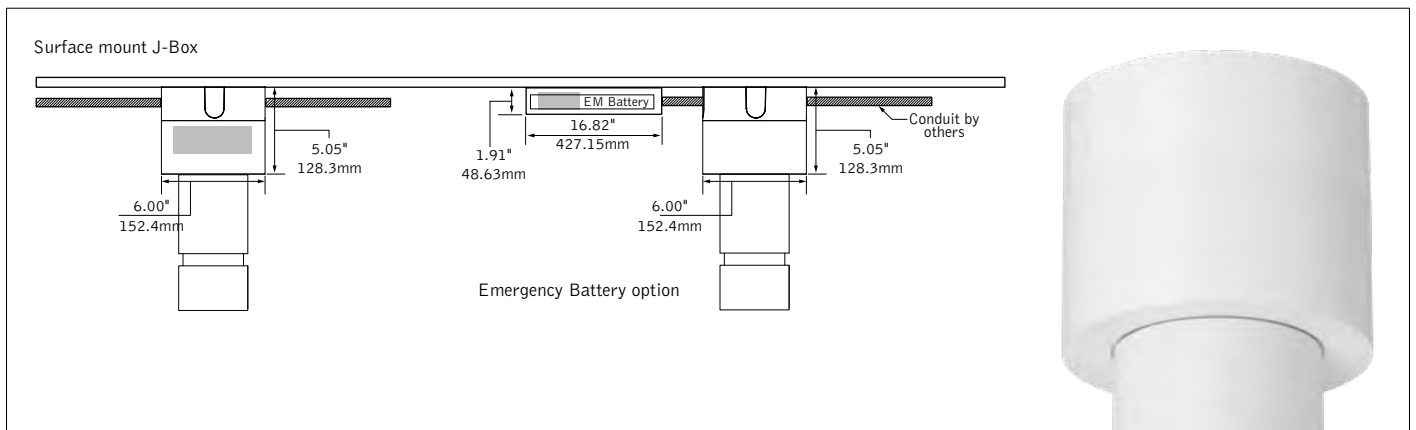
**PC - Power Canopy**



**DSC - Shallow Canopy with decorative J-box cover, Integral Driver**



**DPC - Power Canopy with decorative J-box cover**



### 3.5" CYLINDER LUMEN MULTIPLIER TABLE

#### Color Temperature & CRI

Trim Type	Optic	Color Temperature	Multiplier
Round [RD]	ALL	2700K, 80+ CRI [27K]	0.93
		2700K, 90+ CRI [927K]	0.78
		3000K, 80+ CRI [30K]	0.97
		3000K, 90+ CRI [930K]	0.81
		3500K, 80+ CRI [35K]	1.00
		3500K, 90+ CRI [935K]	0.83
		4000K, 80+ CRI [40K]	1.01
		4000K, 90+ CRI [940K]	0.86
		2700-1800K, 90+ CRI [92718W]	0.76
		3000-1800K, 90+ CRI [93018W]	0.72

#### Optic & Distribution

Trim Type	Optic	Distribution	Multiplier
Round [RD]	Tall Cone, 50° cut-off [DNT]	Narrow Flood (28°) [NFL]	1.00
		Flood 1 (34°) [FL1]	0.89
		Flood 2 (45°) [FL2]	0.75
		Wide Flood (57°) [WFL]	0.75
		Tall Cone, 50° cut-off with Solite Lens [DNTS]	Narrow Flood (28°) [NFL]
	Super Short Cone, 80° cut-off [DSS]	Super Wide Flood (89°) [SWFL]	0.74

Multiplier tables are provided to aid with estimation of lumen levels across options. Apply multipliers against ordered Lumen Output to estimate Delivered Lumens. Refer to IES files for most accurate photometric information.

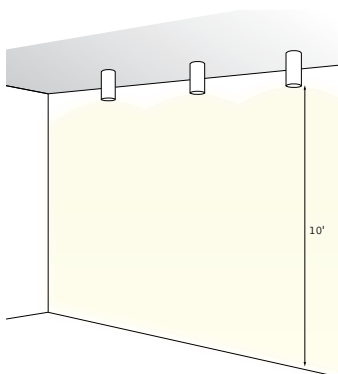
#### How To Use Lumen Multipliers

**Formula:** (Lumen Output Value) x (Color Temperature & CRI) x (Optic & Distribution)

**Example:** FLCY3-RD-1000L-935K-DNT-FL1

(1000) x (0.83) x (0.87) ≈ 722 lm (estimated delivered lumens)

Distance from bottom of fixture	Footcandles						
	Fixtures 3' from Wall		Fixtures 3.5' from Wall		Fixtures 4' from Wall		
	3' OC	3.5' OC	3' OC	3.5' OC	3' OC	3.5' OC	
1'-0"	3"	2 2 2	2 2 2	2 2 2	2 2 2	2 2 2	1 1 1
	6"	2 2 2	2 2 2	2 2 2	2 2 2	2 2 2	2 2 2
	9"	3 3 3	3 3 3	3 3 3	2 2 2	2 2 2	2 2 2
	12"	3 3 3	3 3 3	3 3 3	2 2 2	2 2 2	2 2 2
2'	8 8 8	7 7 7	6 6 6	5 5 5	5 5 5	4 4 4	4 4 4
3'	15 15 15	13 13 13	11 11 11	10 10 10	8 8 8	7 7 7	7 7 7
4'	19 19 19	16 16 16	15 15 15	13 13 13	12 12 12	11 11 11	11 11 11
5'	19 19 19	16 16 16	17 17 17	15 15 15	15 15 15	13 13 13	13 13 13
6'	17 17 17	14 14 14	16 16 16	14 14 14	15 15 15	13 13 13	13 13 13
7'	15 15 15	13 13 13	15 15 15	13 13 13	14 14 14	12 12 12	12 12 12
8'	13 13 13	11 11 11	13 13 13	11 11 11	13 13 13	11 11 11	11 11 11
9'	11 11 11	9 9 9	11 11 11	10 10 10	12 12 12	10 10 10	10 10 10
10'	9 9 9	8 8 8	10 10 10	8 8 8	10 10 10	9 9 9	9 9 9





## ID+® 3.5" Cylinder Focal Point, LLC

**Final Assembly:** Chicago, Illinois, USA  
**Life Expectancy:** 10 Year(s)  
**End of Life Options:** Recyclable (55%), Landfill (45%)

**Ingredients:**

Aluminum; Small Electrical Components - RoHS Compliant<sup>1</sup>; Steel; UNS A93003; Copper; Carbonic dichloride, polymer with 4,4'-(1-methylethylidene)bis[phenol], 4-(1-methyl-1-phenylethyl)phenyl ester; **Polyvinyl chloride**; Poly[imino(1,6-dioxo-1,6-hexanediyl)imino-1,6-hexanediyl]; Iron; Polypropylene; Neodymium; Zinc; Siloxanes and Silicones, Me vinyl; Dysprosium; UNS G1008; Aluminum cerium yttrium oxide; Hydrated silica; **Formaldehyde, polymer with (chloromethyl)oxirane and 4,4'-(1-methylethylidene)bis[phenol]**; Steel, carbon; Aluminum Oxide; Butanediolic acid, dimethyl ester; Titanium dioxide; Polymethyl methacrylate; Europium-doped (aluminum calcium strontium nitride silicide); Siloxanes and Silicones, Me hydrogen

<sup>1</sup>LBC Temp Exception RL-002 - Small Electrical Components

**Living Building Challenge Criteria:**

**I-13 Red List:**  
 LBC Red List Free      % Disclosed: 100% at 100ppm  
 LBC Red List Approved      VOC Content: Not Applicable  
 Declared

**I-10 Interior Performance:** Not Applicable  
**I-14 Responsible Sourcing:** Not Applicable

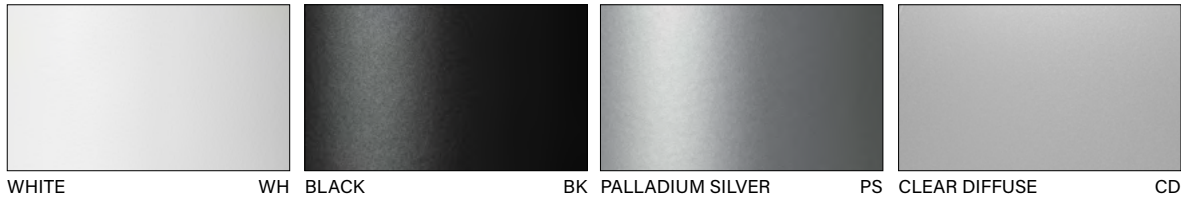
FPL-0002  
 EXP. 01 JAN 2026  
 Original Issue Date: 2024

INTERNATIONAL LIVING FUTURE INSTITUTE™ [living-future.org/declare](http://living-future.org/declare)

# Finishes



## STANDARD FINISHES



## THE NATURALS (25% SCALE)



## STANDARD COLOR COMBINATIONS\*

Upper Housing Finish	Lower Housing Finish	Cord/Stem/Canopy Color	Upper Housing Finish	Lower Housing Finish	Cord/Stem/Canopy Color	
Black (BK)	Black (BK)	Black	Walnut (WLT)	Walnut (WLT)	Black	
	Light Oak (LOK)			Black (BK)		
	Grey Elm (GRE)			Palladium Silver (PS)		
	Chestnut (CHT)			White (WH)		White
	Walnut (WLT)		Grey Elm (GRE)	White		
	Woven Linen (WLN)		White (WH)			
	Palladium Silver (PS)					
White (WH)	White (WH)	White	Light Oak (LOK)	Light Oak (LOK)	White	
	Light Oak (LOK)			White (WH)		
	Grey Elm (GRE)			Palladium Silver (PS)		
	Chestnut (CHT)		Black (BK)	Black		
	Walnut (WLT)		Black (BK)	Black		
	Woven Linen (WLN)		Chestnut (CHT)			
	White (WH)					
Palladium Silver (PS)	Palladium Silver (PS)	Black	Chestnut (CHT)	Palladium Silver (PS)	White	
	Walnut (WLT)			White (WH)		
	Light Oak (LOK)	Black (BK)		Black		
	Grey Elm (GRE)	White	White			
	Chestnut (CHT)	Woven Linen (WLN)				
Woven Linen (WLN)	White (WH)					
Custom RAL color	Custom RAL color	White	Woven Linen (WLN)	Palladium Silver (PS)	White	
				Black (BK)		Black
				Black (BK)		Black

\*The Naturals finishes may be specified for Shallow Canopy (SC) and Power Canopy (PC) by adding the finish color to the canopy code. For example: Shallow Canopy in Light Oak = SCLOK.)