

# ID+ 3.5" Pure Cylinder - Wall Wash Surface Mount

FLCY3WN-SM-RD-7H - Shallow Canopy

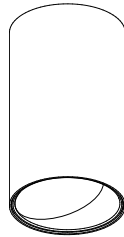


FOCAL POINT®

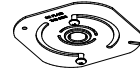
## BEFORE YOU BEGIN

- Luminaires must be installed by a qualified electrician (check with local and national codes for proper installation).
- To prevent electrical shock, disconnect electrical supply before installation or servicing.
- Contractor is responsible for adequately reinforcing walls and/or ceilings to support fixture weight.
- Focal Point, LLC accepts no responsibility for inadequately reinforced walls and/or ceilings.
- The information contained in this drawing is the sole property of Focal Point, LLC. Any reproduction in part or whole without the written permission of Focal Point, LLC is prohibited.

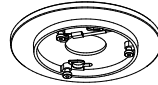
## COMPONENT KEY



### SHALLOW CANOPY

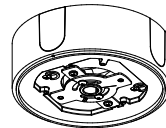


J-BOX MOUNTING BRACKET

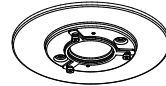


SHALLOW CANOPY

### DECORATIVE SHALLOW CANOPY



DECORATIVE J-BOX COVER



SHALLOW CANOPY



MOUNTING SCREWS #72009

## INSTRUCTION KEY



ATTENTION



SEE ADDITIONAL INSTRUCTIONS



POWER OFF



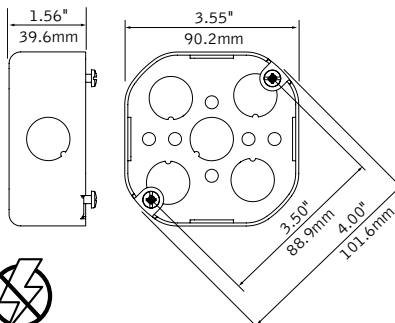
POWER ON



LUMINAIRE MUST BE INSTALLED PRIOR TO DRYWALL CEILING. ALL GRID LUMINAIRE MUST BE SECURED TO STRUCTURE ABOVE.

## 4" OCTAGONAL J-BOX REQUIRED

J-BOX BY OTHERS



## EMERGENCY



PRIOR TO LUMINAIRE INSTALLATION, SEE **PAGE 5** FOR EMERGENCY INSTALLATION INSTRUCTIONS.

# SHALLOW CANOPY

**1**

HARDWARE BY OTHERS

**2a**

DO NOT OVERTIGHTEN SCREWS. OVERTIGHTENING WILL PREVENT WALL WASH ROTATION.

**2b**

ORIENT THE GROUND WIRE (1) TO INSTALL NEAREST TO THE PRIMARY WALL WASH AIMING MARKING III (2)

**3**

ROTATE CANOPY TO AIM WALL WASH

**4**

AIM WALL WASH MARKING TOWARDS WALL

(1) III - PRIMARY WALL WASH AIMING MARKING

(2) I - SECONDARY WALL WASH AIMING MARKINGS

USE THE SECONDARY AIMING MARKINGS IN THE EVENT THE PRIMARY MARKING CANNOT BE ROTATED TO ITS DESIRED AIMING LOCATION

**5**

HAND TIGHTEN ONLY. DO NOT OVERTIGHTEN.

**6**

ALIGN WALL ORIENTATION MARKING ON CYLINDER WITH WALL WASH AIMING MARKING (III or I) ON CANOPY.

MAKE ELECTRICAL CONNECTION

**6 I**

WET LOCATION ONLY

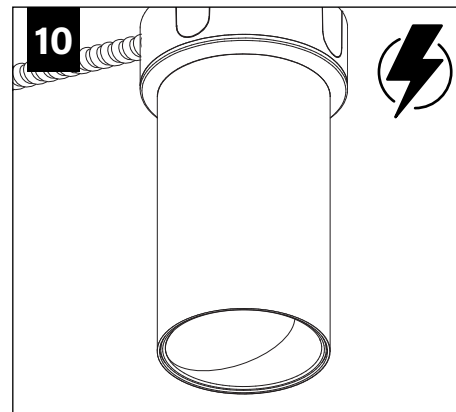
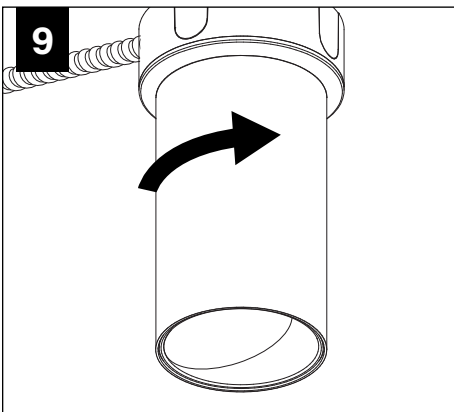
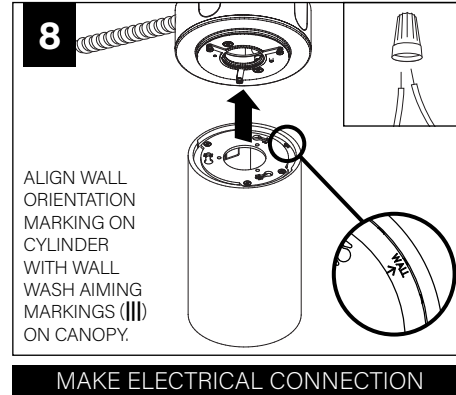
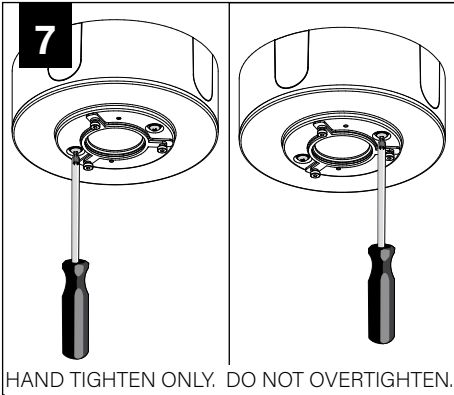
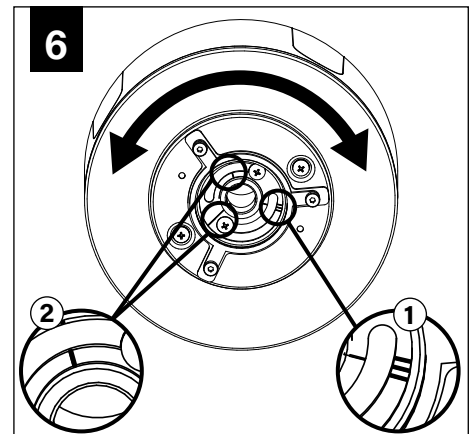
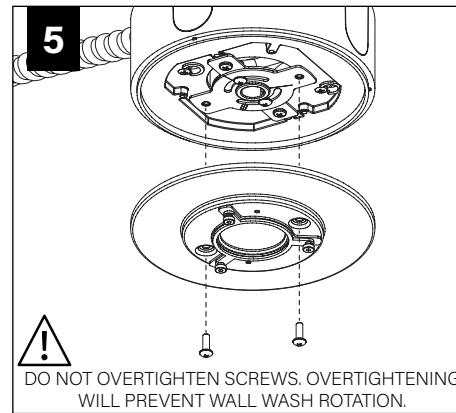
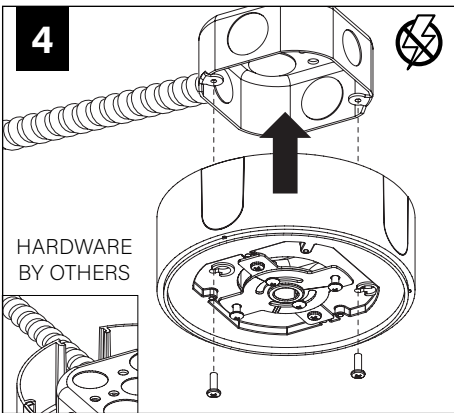
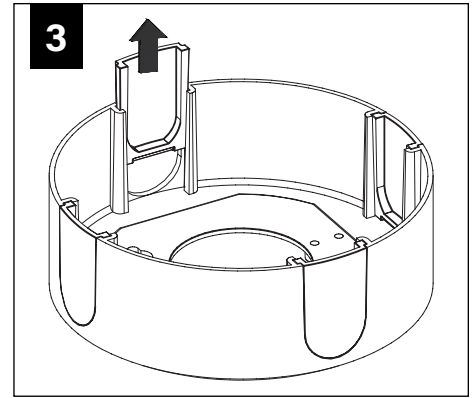
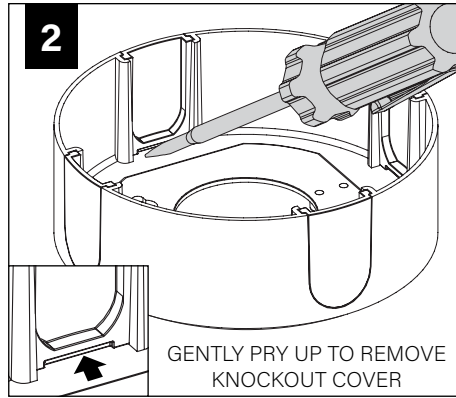
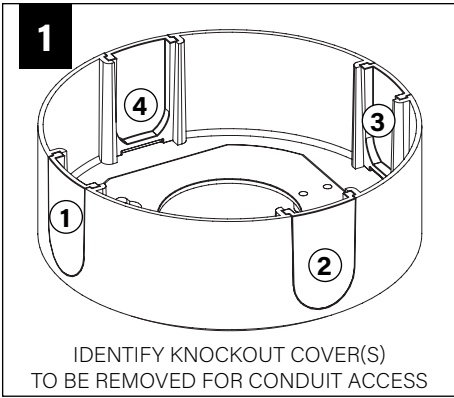
ALIGN WALL ORIENTATION MARKING ON CYLINDER WITH WALL WASH AIMING MARKING (III or I) ON CANOPY.

MAKE ELECTRICAL CONNECTION

**7**

**8**

# DECORATIVE SHALLOW CANOPY

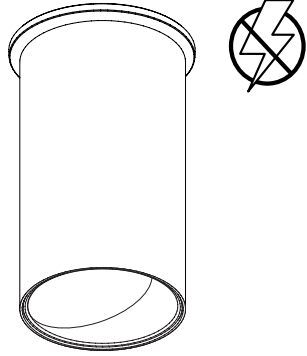


## DRIVER SERVICE

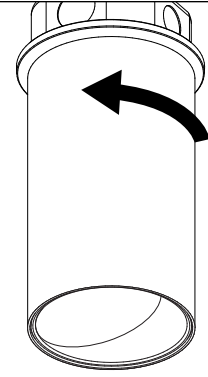


TURN OFF POWER SOURCE  
PRIOR TO DRIVER SERVICE

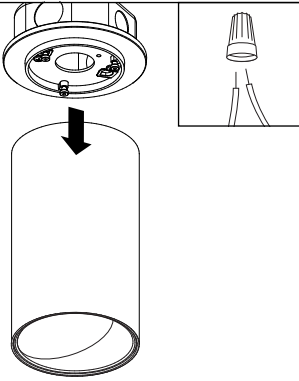
1



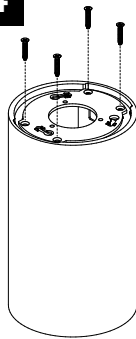
2



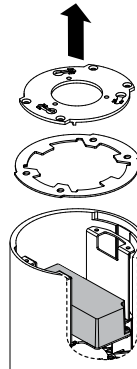
3



4



5

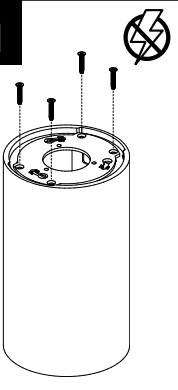


5

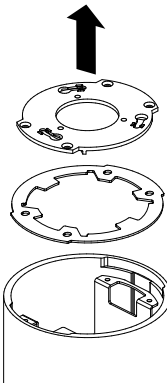


## OPTIC SERVICE

1



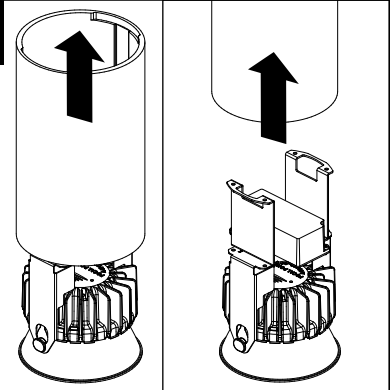
2



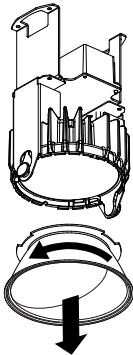
2



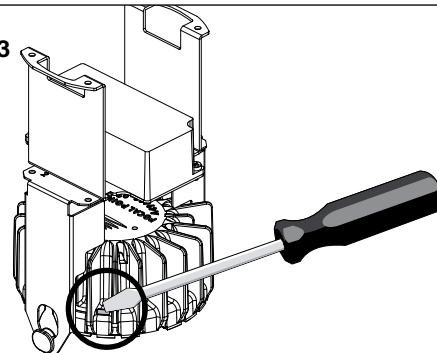
3



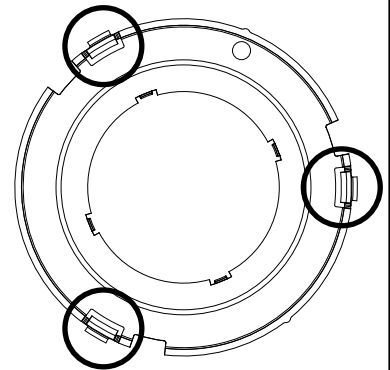
4

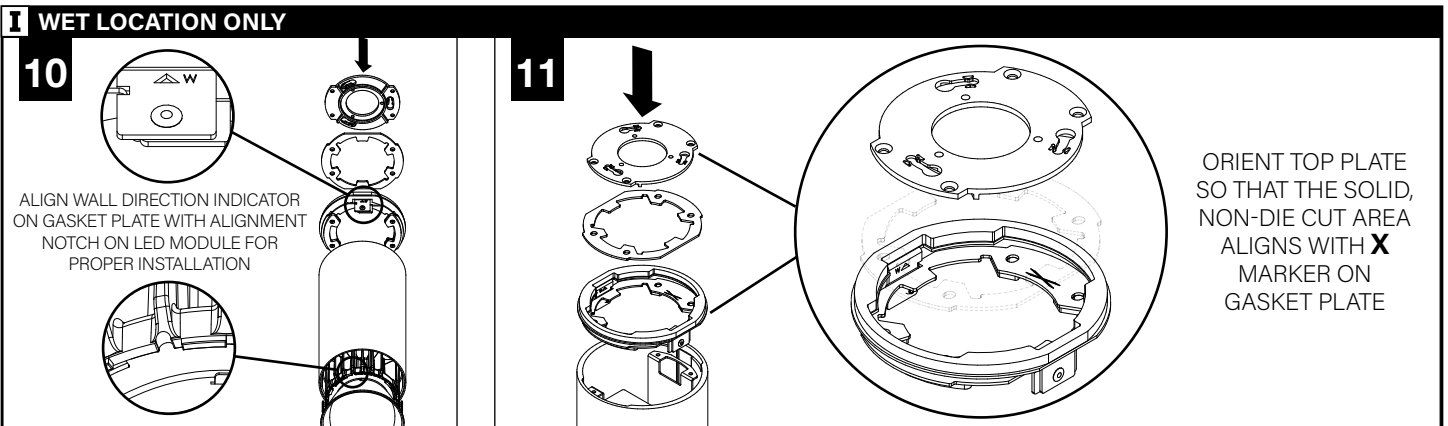
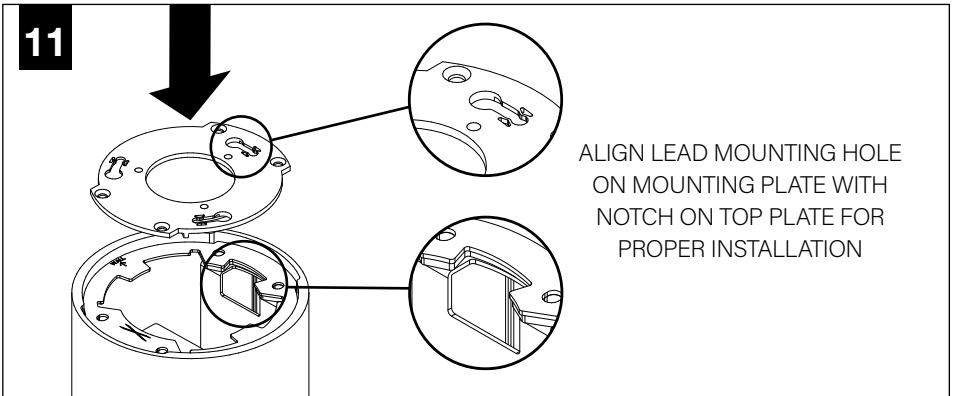
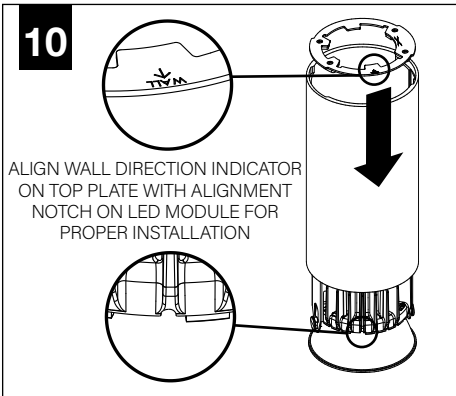
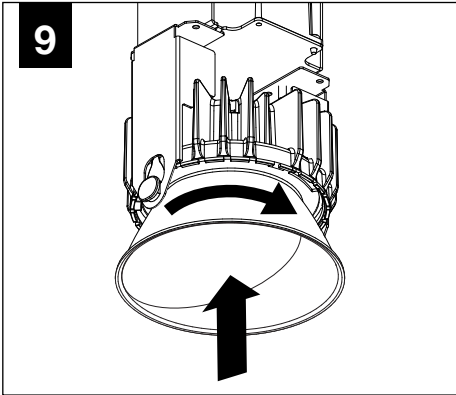
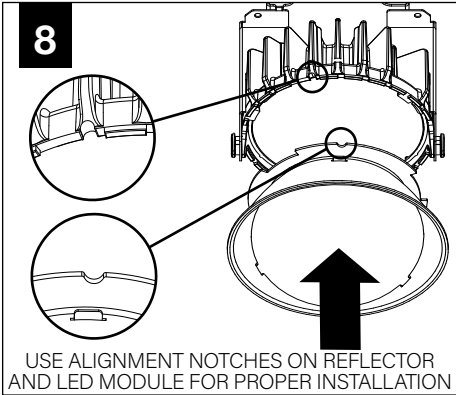
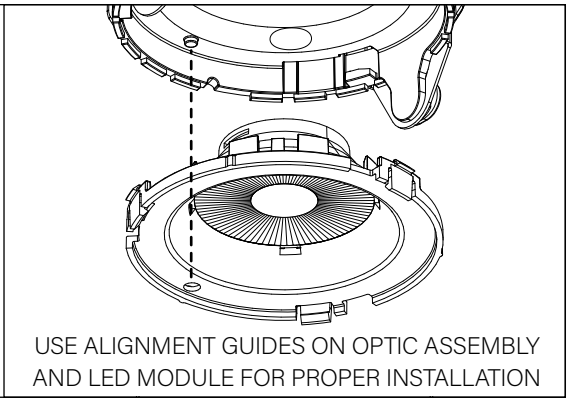
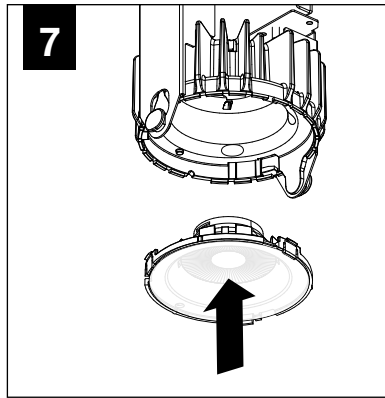
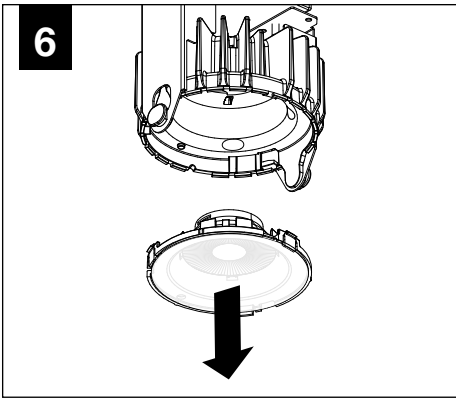


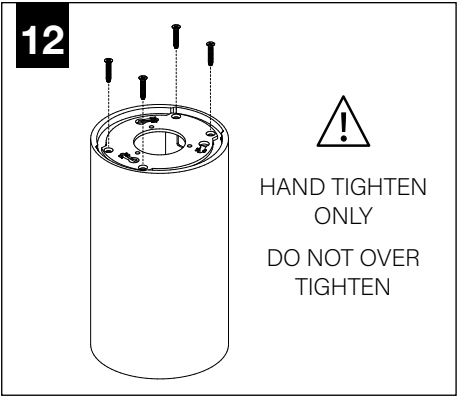
5 x3



DEPRESS TABS TO RELEASE OPTIC





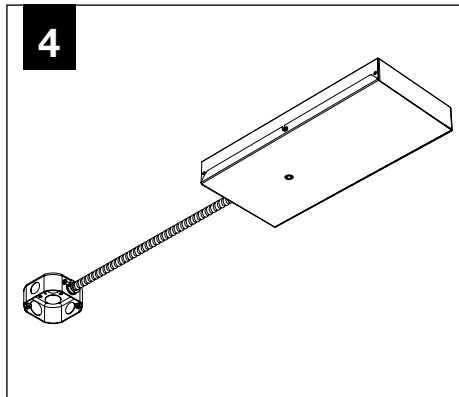
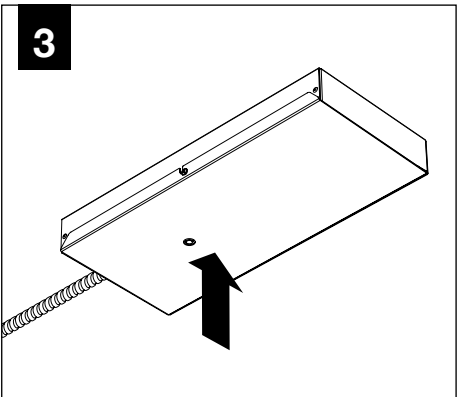
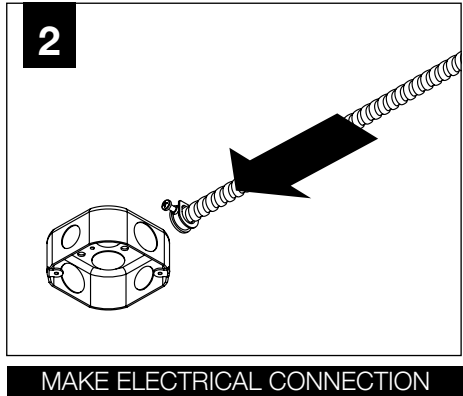
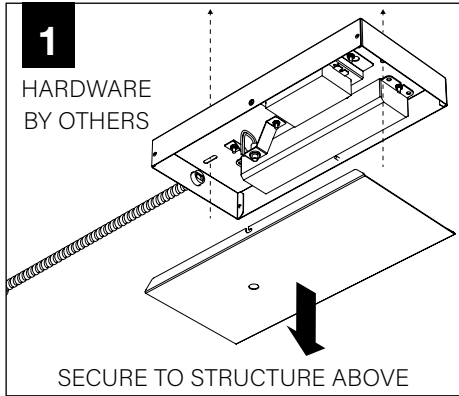


**EMERGENCY**

**I**

SEE BATTERY MANUFACTURER INSTRUCTIONS

**EMERGENCY MAXIMUM MOUNTING HEIGHT:**  
**CD & WH REFLECTORS - 17.1'**  
**WD & BK REFLECTORS - 15.1'**



**I**

PROCEED TO LUMINAIRE INSTALLATION