

ID+ 3.5" Pure Cylinder - Wall Wash Surface Mount

FLCY3WN-RD-4H | FLCY3WN-RD-7H - Power Canopy



FOCAL POINT®

BEFORE YOU BEGIN

- Luminaires must be installed by a qualified electrician (check with local and national codes for proper installation).
- To prevent electrical shock, disconnect electrical supply before installation or servicing.
- Contractor is responsible for adequately reinforcing walls and/or ceilings to support fixture weight.
- Focal Point, LLC accepts no responsibility for inadequately reinforced walls and/or ceilings.
- The information contained in this drawing is the sole property of Focal Point, LLC. Any reproduction in part or whole without the written permission of Focal Point, LLC is prohibited.

INSTRUCTION KEY

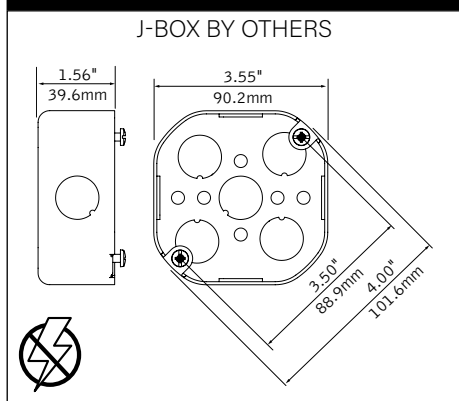
- ATTENTION**
- SEE ADDITIONAL INSTRUCTIONS**
- POWER OFF**
- POWER ON**

COMPONENT KEY

	POWER CANOPY		DECORATIVE POWER CANOPY
		J-BOX MOUNTING BRACKET	
7" HOUSING HEIGHT		CANOPY MOUNTING BRACKET/ DRIVER CARRIAGE	
		POWER CANOPY	
4" HOUSING HEIGHT		MOUNTING BRACKET	
			MOUNTING SCREWS #72029

LUMINAIRE MUST BE INSTALLED PRIOR TO DRYWALL CEILING. ALL GRID LUMINAIRE MUST BE SECURED TO STRUCTURE ABOVE.

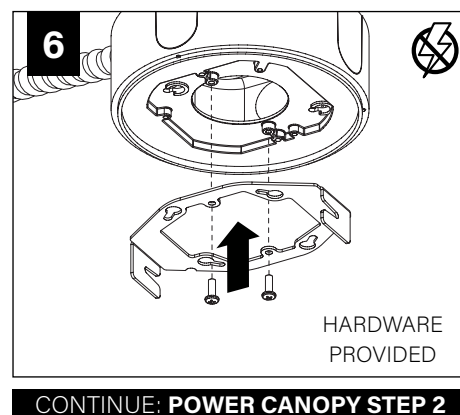
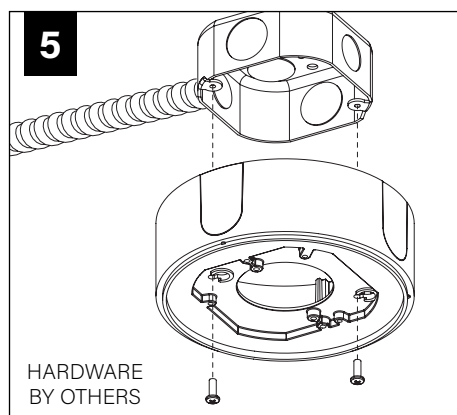
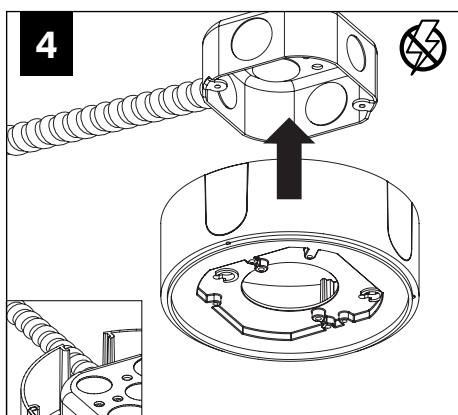
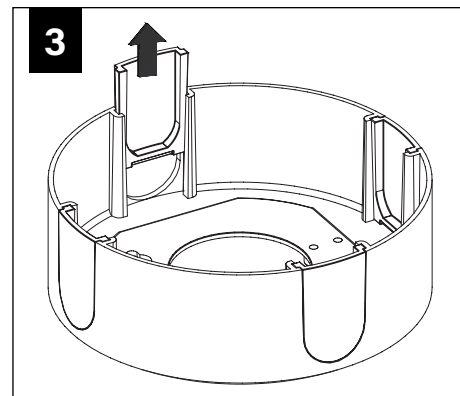
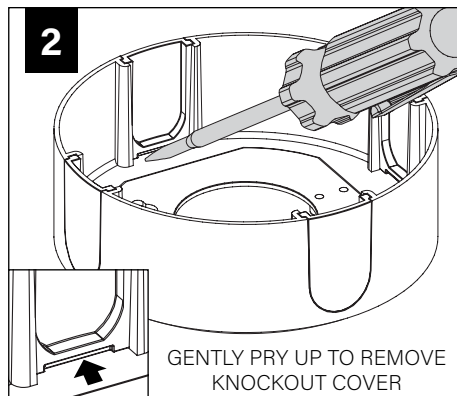
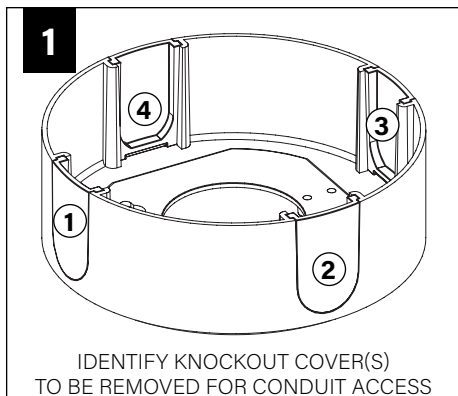
4" OCTAGONAL J-BOX REQUIRED



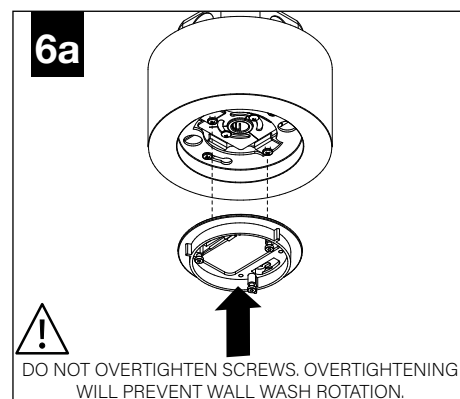
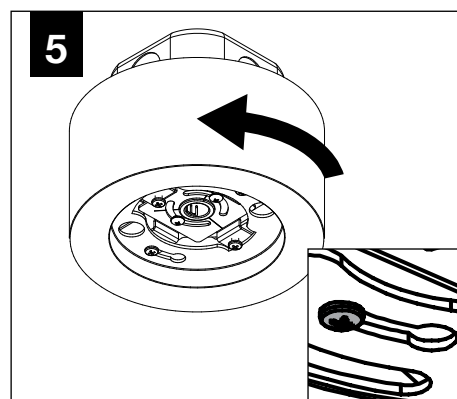
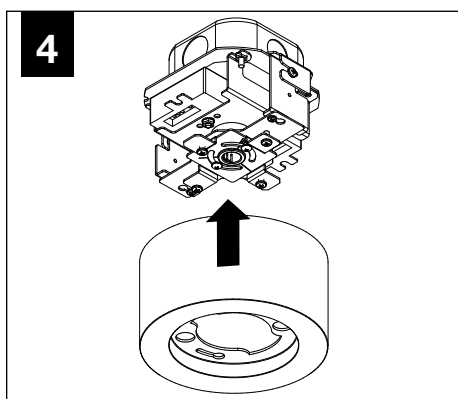
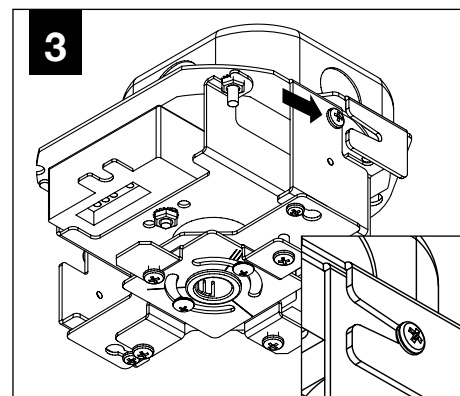
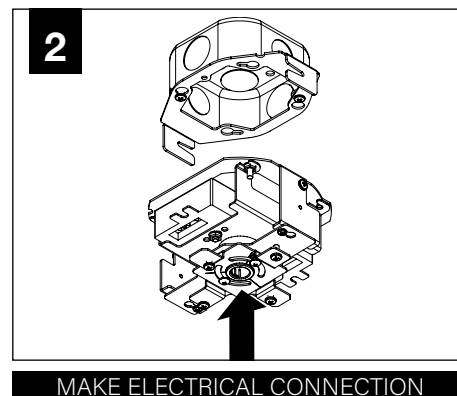
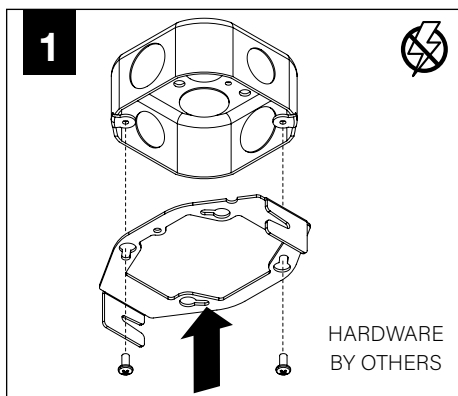
EMERGENCY

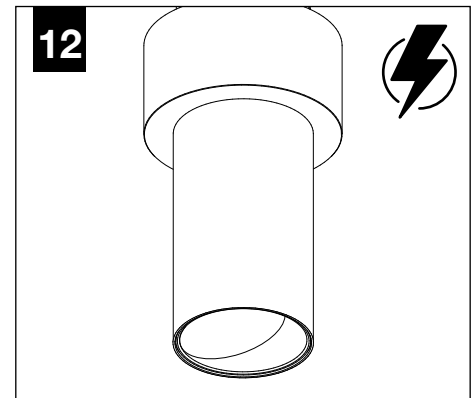
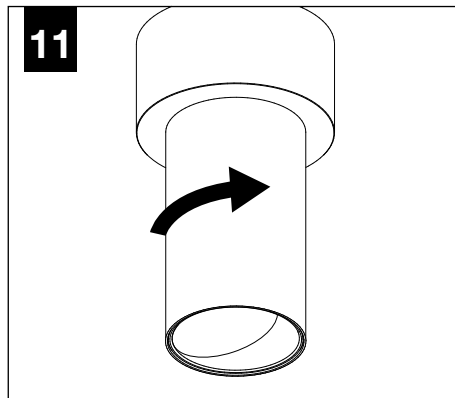
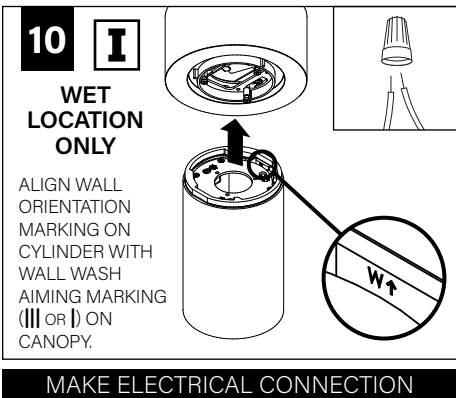
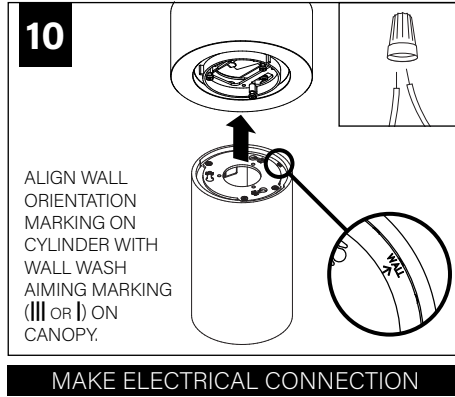
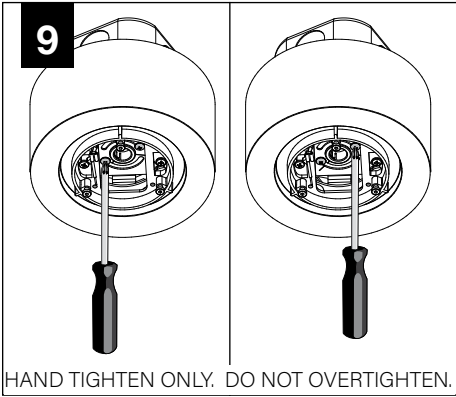
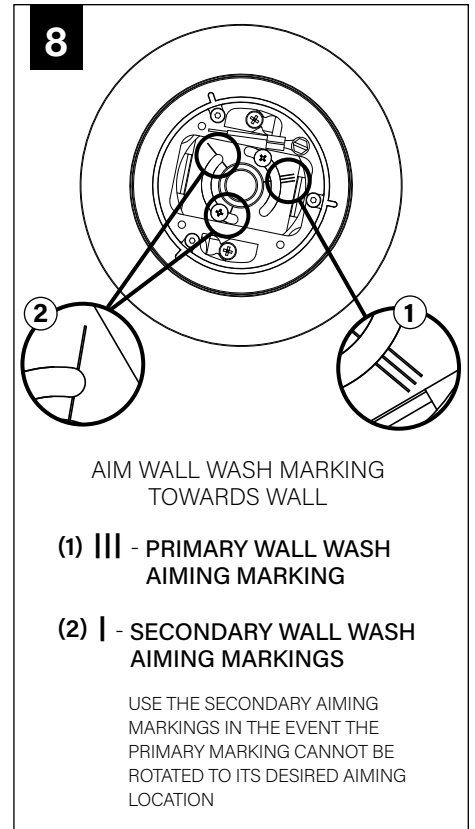
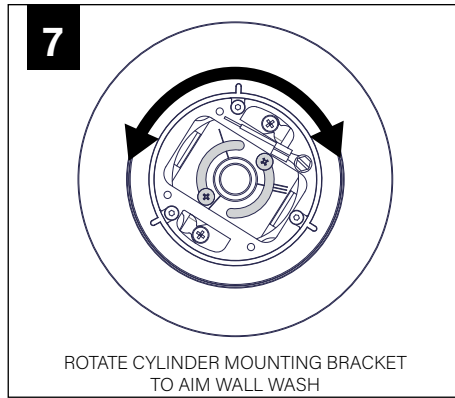
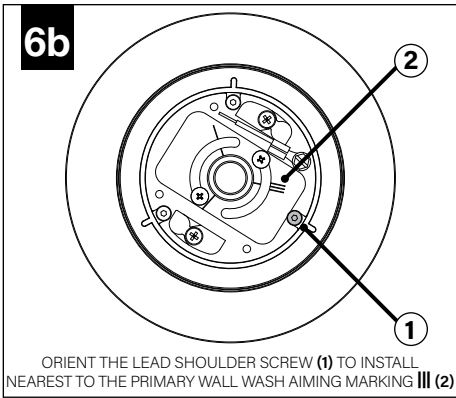
PRIOR TO LUMINAIRE INSTALLATION, SEE **PAGE 5** FOR EMERGENCY INSTALLATION INSTRUCTIONS.

DECORATIVE POWER CANOPY

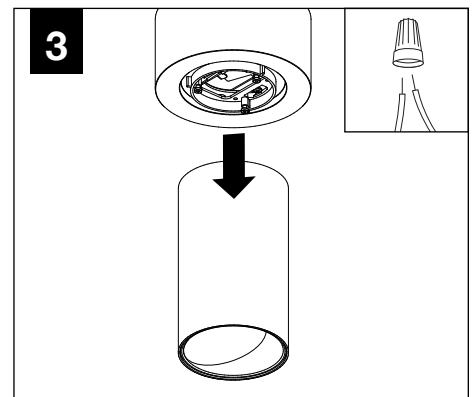
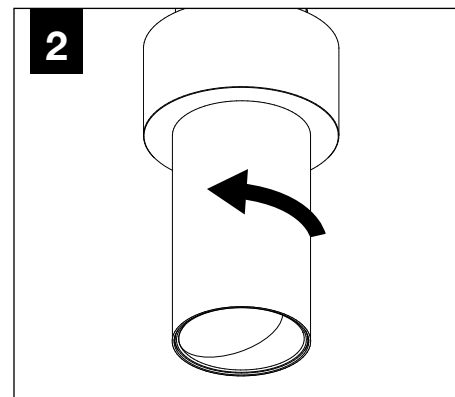
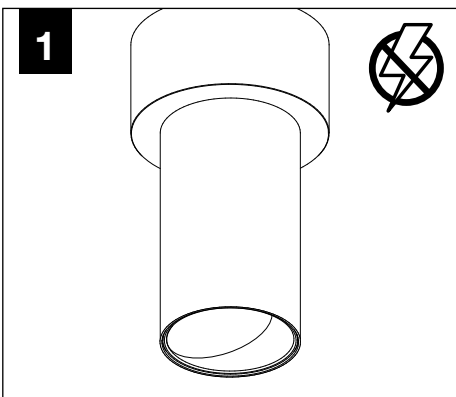


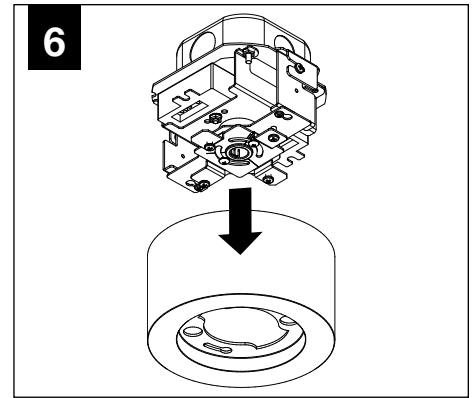
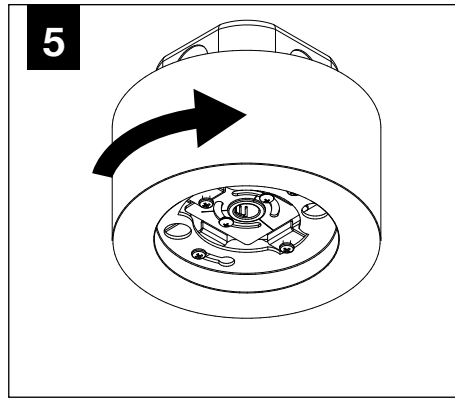
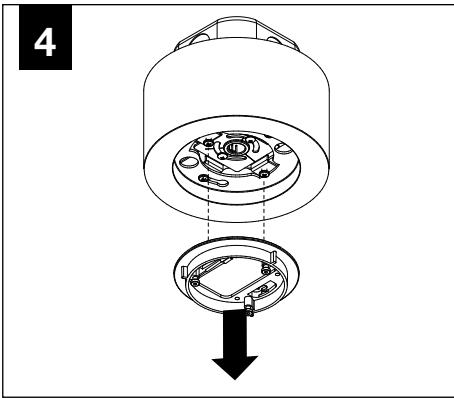
POWER CANOPY



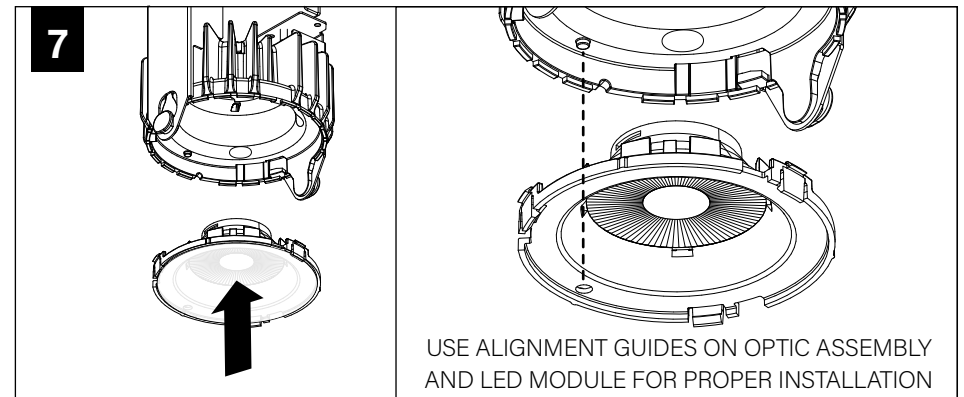
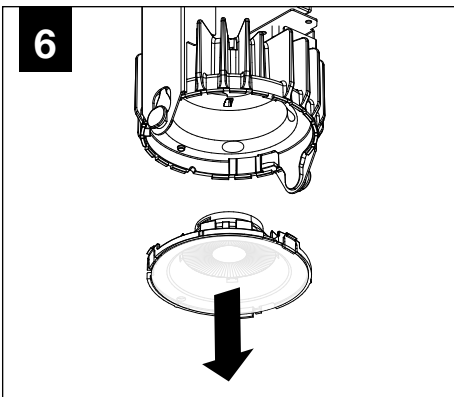
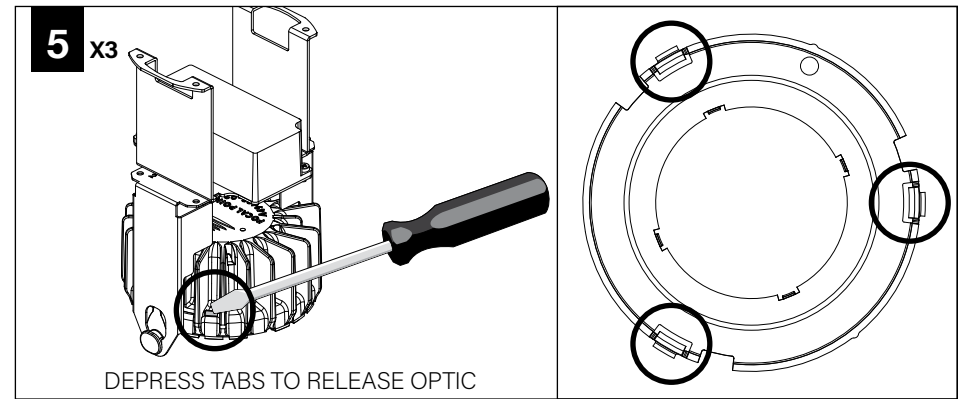
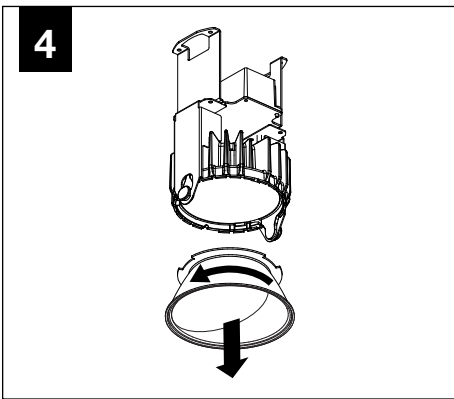
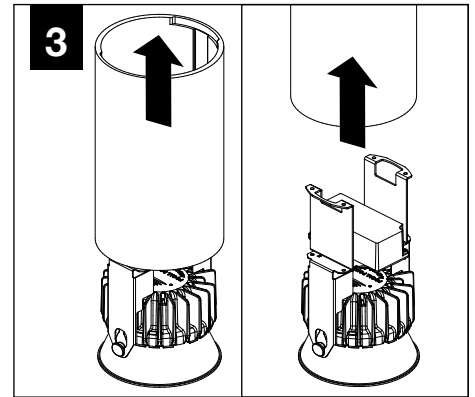
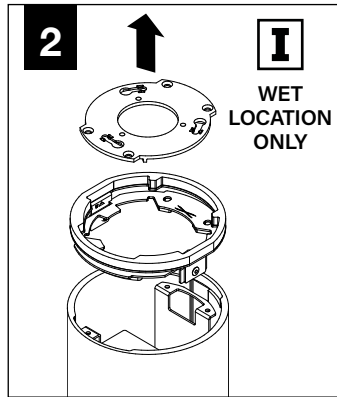
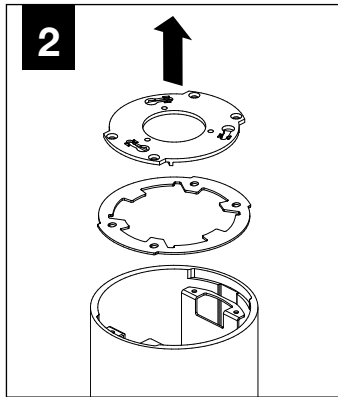
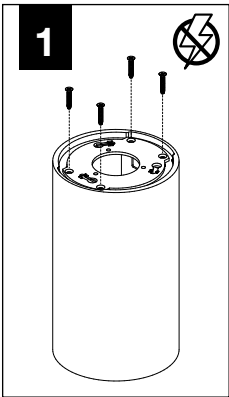


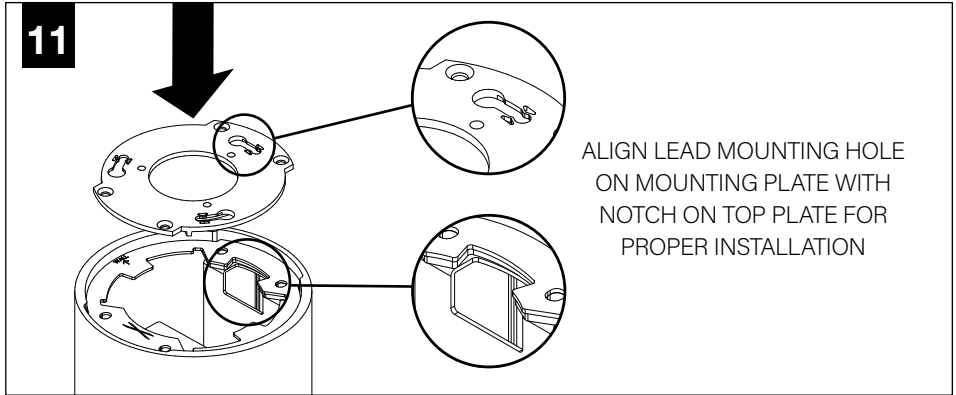
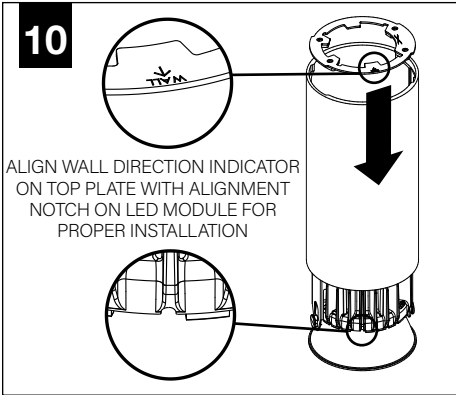
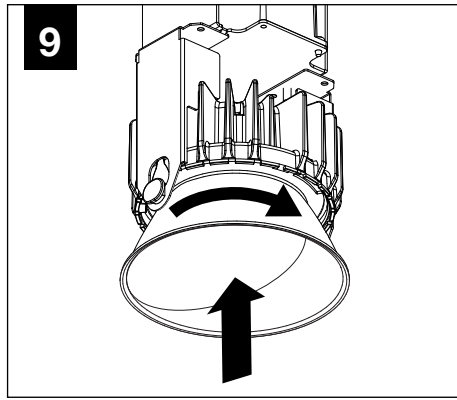
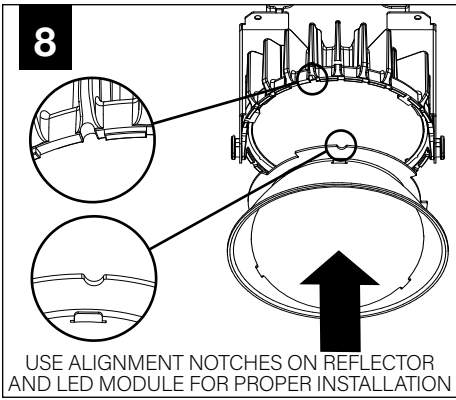
DRIVER SERVICE



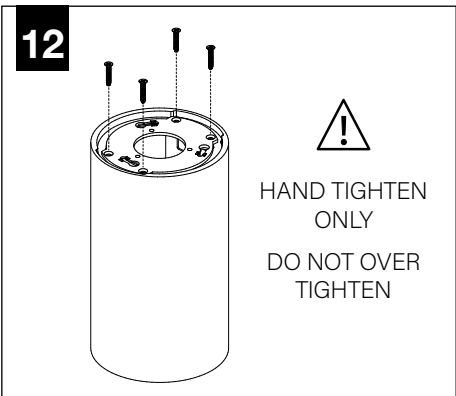
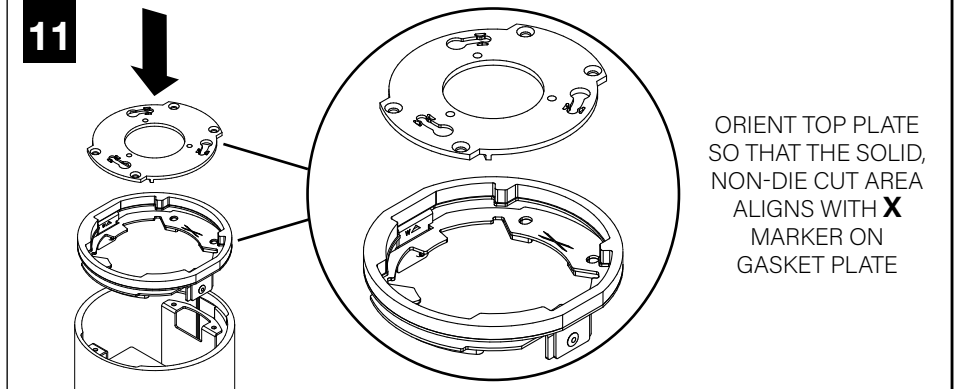
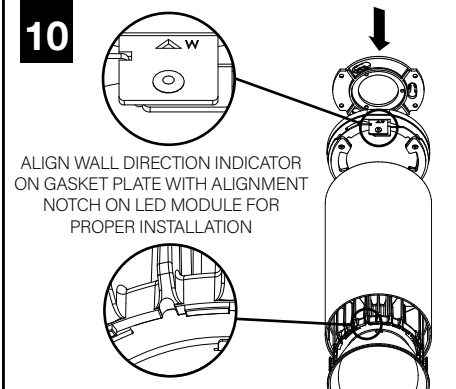


OPTIC SERVICE





I WET LOCATION ONLY



EMERGENCY



SEE BATTERY MANUFACTURER INSTRUCTIONS

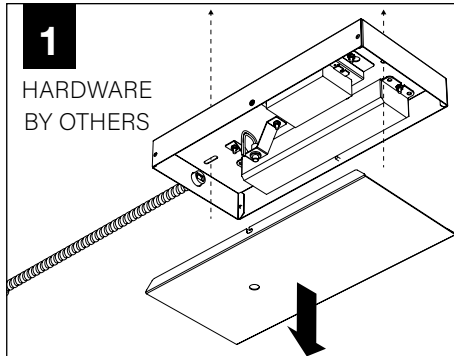
EMERGENCY MAXIMUM MOUNTING HEIGHT:

CD & WH REFLECTORS - 17.1'

WD & BK REFLECTORS - 15.1'

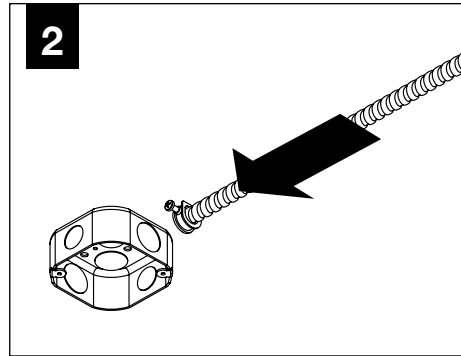
1

HARDWARE BY OTHERS



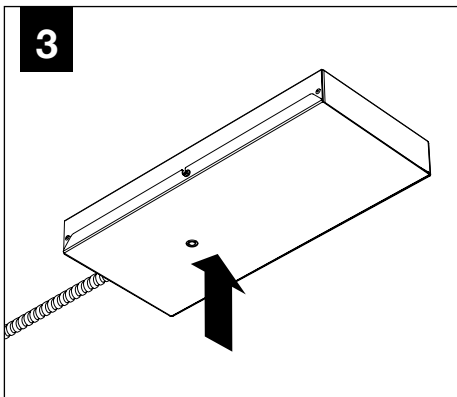
SECURE TO STRUCTURE ABOVE

2

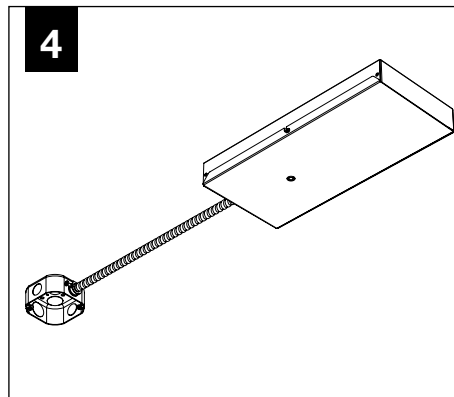


MAKE ELECTRICAL CONNECTION

3



4



PROCEED TO LUMINAIRE INSTALLATION