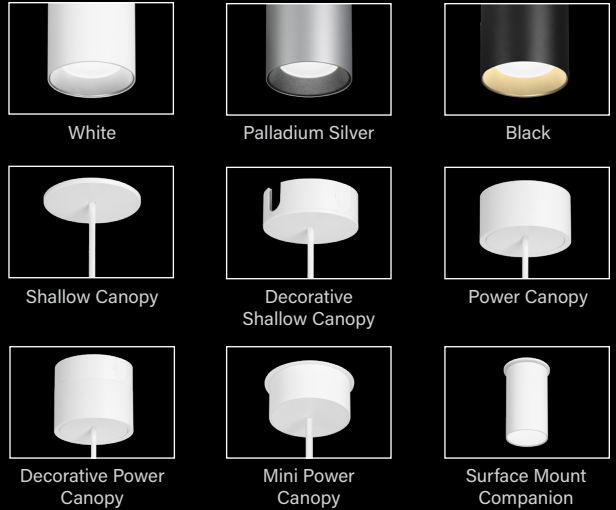


# ID+ 3.5" Pure Cylinder

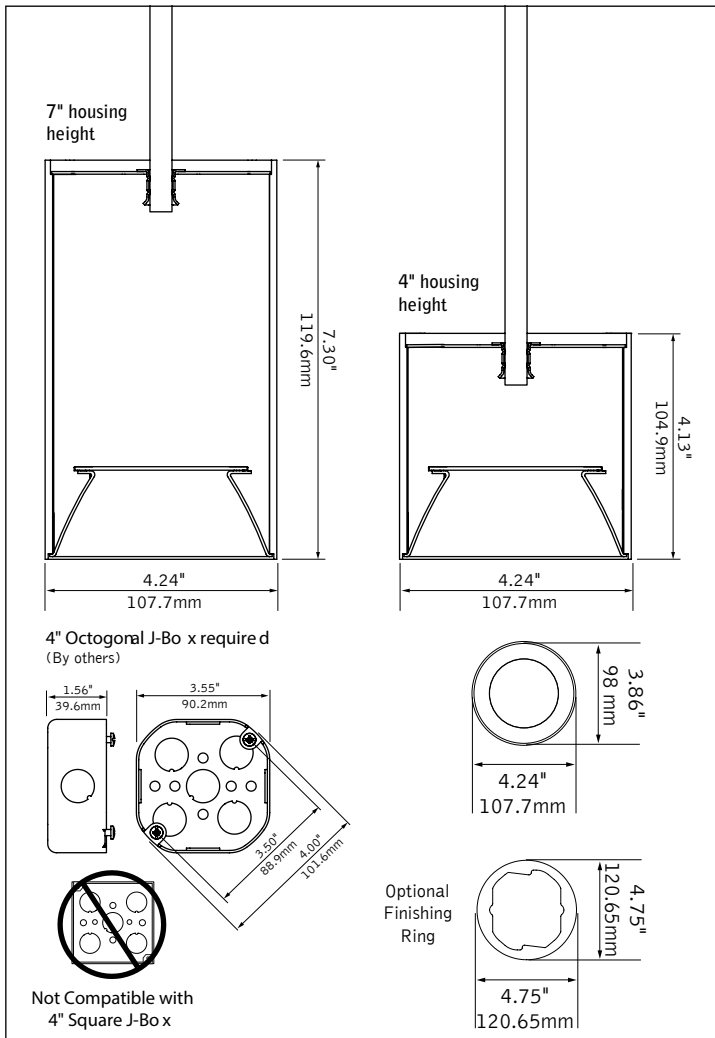
LED PENDANT



The Naturals collection - Chestnut shown



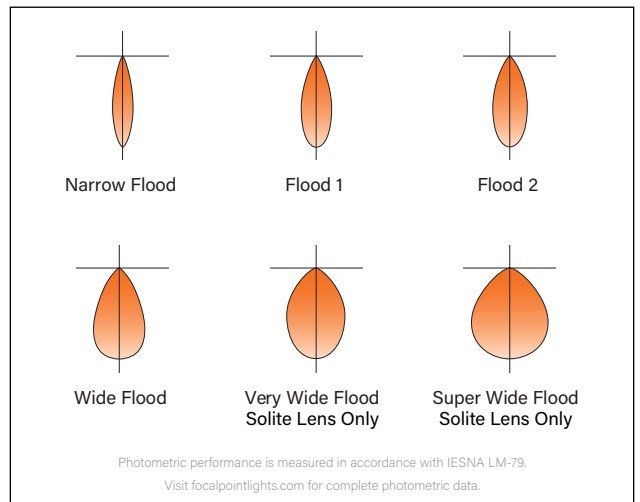
## DIMENSIONAL DATA



## FEATURES

- 3.5" solid body cylinder pendant available in 4" or 7" housing heights.
- 50°, 60° and 75° cut-off reflector options available.
- 25° to 90° beam spreads support accent lighting, task lighting and general illumination.
- Multiple canopy options enable various driver offerings and conduit installations while maintaining premier aesthetics.
- Available with The Naturals, a series of finishes that exude biophilic beauty.
- PoE compatible: Integrates with Power over Ethernet lighting systems via standard, low-voltage wires.
- Cohesive and powerful performance by using the optics and light sources of ID+ 3.5" recessed family.

## DISTRIBUTIONS



fixture:

project:

### SPECIFICATIONS


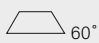
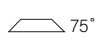
#### LED System

Proprietary LED module with single light emitting source. May be specified in 2700K, 3000K, 3500K or 4000K with CRI>80 or CRI>90. 3500K and 4000K with CRI>90 have a cyanosis observation index (COI) of 3.3 or less. Color accuracy within 2 SDCM. Aluminum heat sink provides appropriate thermal management.

#### Construction

Housing is extruded aluminum. Internal reflector (DNT and DNS) are spun aluminum. DSS reflector is die-cast aluminum. Fixture will not exceed 9 lb.

#### Optics

Optic	Cut-off degree	Distribution Beam Spread   Spacing Criteria					
		NFL	FL1	FL2	WFL	VWFL	SWFL
DNT	 50°	26"   0.54	37"   0.62	45"   0.76	58"   0.87	—	—
DNS	 60°	25"   0.42	37"   0.63	45"   0.75	56"   0.92	—	—
DSS	 75°	26"   0.44	37"   0.60	45"   0.72	56"   0.84	74"   1.07	91"   1.24

#### Electrical

Choice of constant current dimming drivers. Power factor > .9 typical. PoE compatible: Integrates with Power over Ethernet lighting systems via standard, low-voltage wires. L11 & LFP with Shallow Canopy (SC), Decorative Shallow Canopy (DSC), and Mini Power Canopy (MPC) not Right Light as standard, consult factory.

#### Emergency

Emergency output —171ft for CD/ WH reflectors, and 151ft for WD/ BK reflectors. J-box cannot be recessed above the ceiling with Emergency Battery.

#### Labels

UL and cUL listed. Suitable for Dry or Damp Locations, indoor use only.

#### Finish

Polyester powder coat applied over a multi-stage pre-treatment. The Naturals: 100% low VOC vinyl.

#### Lumen Maintenance

Calculated: L70 at 200,000 hours Reported: L70 at >55,000 hours  
(Derived from EPA TM-21 calculator per 10,000 hours of LED test data)

#### Reliability

At Focal Point, our products are designed to stand the test of time. Each luminaire is engineered using superior components, manufactured with the utmost care and rigorously tested. Contact us for reliability data.

#### Warranty

LED system rated for operation in ambient environments up to 25°C. 5 year limited warranty.

### 7" ORDERING

#### Luminaire Series

ID+ 3.5" Pure Cylinder

Trim Type

Round

Housing Height

7"

(Up to 24" in 1/2" increment with conditions. Consult factory for details.)

Direct Lumen Output

700 Lumens\*

900 Lumens\*

1100 Lumens\*

1300 Lumens\*

1500 Lumens\*

1700 Lumens\*

1900 Lumens\*

2100 Lumens (PC, DPC or MPC only)  
2300 Lumens (PC, DPC or MPC only, DSS not available.)

Color Temperature

(Add 9 for 90 CRI or H for 97 CRI. Leave blank for 80 CRI.)

2700K, 80/90/97+ CRI

3000K, 80/90/97+ CRI

3500K, 80/90/97+ CRI

4000K, 80/90/97+ CRI

2700-1800K, 90+ CRI\*\*

3000-1800K, 90+ CRI\*\*

1800-4000K, 90+ CRI (900DN max)<sup>†</sup>

2700-5000K, 90+ CRI (1300DN max)<sup>†</sup>

2700-6500K, 90+ CRI (1300DN max)<sup>†</sup>

Circuits

Single Circuit

Voltage

UNV 120/277 Volt

120 Volt

277 Volt

Low Voltage (LVN only)

Canopy Configuration

Shallow Canopy, Integral Driver<sup>1</sup>

Shallow Canopy with decorative J-box cover,<sup>1</sup>

Integral Driver

Power Canopy, driver inside canopy<sup>2</sup>

Power Canopy with decorative J-box cover,<sup>2</sup>

driver inside canopy

Mini Power Canopy, drive inside canopy<sup>2</sup>

(Cable or Fixed Stem only. L11 or LFP only.

Not available with Warm Dim or Tunable White.)

Canopy Color<sup>3</sup>

(See finishes page for The Naturals options available with SC, PC and MPC canopies only)

Matte Black

Matte White

Paladium Silver

Control System & Dimming Level

0-10V - 0% Dimming<sup>4</sup>

0-10V - 1% Dimming<sup>4</sup>

0-10V - 10% Dimming<sup>4</sup>

Low Voltage, PoE compatible

(SC, DSC only, LV Voltage only. EMR, Warm Dim & Tunable White not available.)

Phase Dimming

(120V only, 700DN & 900DN not available with PC or DPC)

Lutron Hi-Lume EcoSystem (LDE1) - 1% Dimming<sup>4</sup>

(700DN & 900DN not available.)

DALI - 0% Dimming<sup>4</sup>

DALI - <1% Dimming (Tunable White)<sup>4</sup>

DALI - 1% Dimming<sup>4</sup>

Mounting

72" Cable, Straight Feed (Cut in field)

144" Cable, Straight Feed (Cut in field)

12", 50° Swivel Stem

18", 50° Swivel Stem

2'- 8' in 1' increments, 50° Swivel Stem

(Specify in inches, example: 8' stem = B96)

12", Fixed Stem

18", Fixed Stem

2'- 8' in 1' increments, Fixed Stem

Suspension Color<sup>3</sup>

Black

White

Gray (Cable mount only, Not available with MPC or Tunable White.)

Paladium Silver (Stem mount only)

Direct Optic

50° cut-off cone

60° cut-off cone

75° cut-off cone with Solite Lens

Direct Distribution

Narrow Flood

Flood 1

Flood 2

Wide Flood

Very Wide Flood (DSS only)

Super Wide Flood (DSS only)

LFP not available with PC or DPC.

Factory Options

Emergency Battery Remote

(J-box cannot be recessed above the ceiling. Remote test switch, LV, Warm Dim & Tunable White not available.)

Reflector Color

Clear Diffuse

Warm Diffuse

White

Black

Luminaire Finish<sup>3</sup>

(See finishes page for The Naturals options)

Black

White

Paladium Silver

Custom Color options available

\* (LFP not available with PC or DPC.)

\*\* (1500DN only, DNT or DNS only, PC or DPC only.)

<sup>†</sup> (DZTW with PC or DPC only.)

<sup>1</sup> (1900DN max., L11, LFP & LVN only)

<sup>2</sup> (2300DN not available with DSS)

<sup>3</sup> (For custom colors specify an RAL color. Suspension custom color available for Stem mount only. Extended lead time, consult factory.)

<sup>4</sup> (PC or DPC only)

FLCY3N

RD

7H

FLCY3N

RD

7H

700DN

900DN

1100DN

1300DN

1500DN

1700DN

1900DN

2100DN

2300DN

\_27K

\_30K

\_35K

\_40K

92718W

93018W

91840T

92750T

92765T

1C

UNV

120

277

LV

SC

DSC

PC

DPC

MPC

BK

WH

PS

LZ1

L11

LD1

LVN

LFP

LH1

DZ1

DZTW

D11

C72

C144

B12

B18

B\_

S12

S18

S\_

BK

WH

GRY

PS

DNT

DNS

DSS

NFL

FL1

FL2

WFL

VWFL

SWFL

EMR

CD

WD

WH

BK

BK

WH

PS

RAL\_\_\_\_\_



Options in orange qualify for the Quickship program, 10-day up to 100 pieces. Refer to Quickship Guide for complete details.

fixture:

project:

### SPECIFICATIONS



#### LED System

Proprietary LED module with single light emitting source. May be specified in 2700K, 3000K, 3500K or 4000K in CRI>80 or CRI>90. 3500K and 4000K with CRI>90 have a cyanosis observation index (COI) of 3.3 or less. Color accuracy within 2 SDCM. Aluminum heat sink provides appropriate thermal management.

#### Construction

Housing is extruded aluminum. Internal reflector (DNS) is spun aluminum. DSS reflector is die-cast aluminum. Fixture will not exceed 9 lb.

#### Optics

Optic	Cut-off degree	Distribution Beam Spread   Spacing Criteria					
		NFL	FL1	FL2	WFL	VWFL	SWFL
DNS	 60°	25°   0.42	37°   0.63	45°   0.75	56°   0.92	—	—
DSS	 75°	26°   0.44	37°   0.60	45°   0.72	56°   0.84	74°   1.07	91°   1.24

#### Electrical

Choice of constant current dimming drivers. Power factor > .9 typical. PoE compatible: Integrates with Power over Ethernet lighting systems via standard, low-voltage wires. L11 & LFP with Mini Power Canopy (MPC) not Right Light as standard, consult factory.

#### Emergency

Emergency output —171ft for CD/ WH reflectors, and 151ft for WD/ BK reflectors. J-box cannot be recessed above the ceiling with Emergency Battery.

#### Labels

UL and cUL listed. Suitable for Dry or Damp Locations, indoor use only.

#### Finish

Polyester powder coat applied over a multi-stage pre-treatment. The Naturals: 100% low VOC vinyl.

#### Lumen Maintenance

Calculated: L70 at 200,000 hours      Reported: L70 at >55,000 hours  
(Derived from EPA TM-21 calculator per 10,000 hours of LED test data)

#### Reliability

At Focal Point, our products are designed to stand the test of time. Each luminaire is engineered using superior components, manufactured with the utmost care and rigorously tested. Contact us for reliability data.

#### Warranty

LED system rated for operation in ambient environments up to 25°C. 5 year limited warranty.

### 4" ORDERING

<b>Luminaire Series</b>	FLCY3N
ID+ 3.5" Pure Cylinder	
<b>Trim Type</b>	<b>RD</b>
Round	
<b>Housing Height</b>	<b>4H</b>
4"	

(Up to 24" in 1/2" increment with conditions. Consult factory for details.)

<b>Direct Lumen Output</b>	
700 Lumens*	700DN
900 Lumens*	900DN
1100 Lumens	1100DN
1300 Lumens	1300DN
1500 Lumens	1500DN
1700 Lumens	1700DN
1900 Lumens	1900DN
2100 Lumens	2100DN
2300 Lumens (DSS not available.)	2300DN

#### Color Temperature

(Add 9 for 90 CRI or H for 97 CRI. Leave blank for 80 CRI.)

2700K, 80/90/97+ CRI	_27K
3000K, 80/90/97+ CRI	_30K
3500K, 80/90/97+ CRI	_35K
4000K, 80/90/97+ CRI	_40K
Warm Dim 2700-1800K, 90+ CRI**	92718W
Dim 3000-1800K, 90+ CRI**	93018W
Tunable White 1800-4000K, 90+ CRI <sup>(900DN max)</sup> †	91840T
2700-5000K, 90+ CRI <sup>(1300DN max)</sup> ‡	92750T
2700-6500K, 90+ CRI <sup>(1300DN max)</sup> ‡	92765T

#### Circuits

Single Circuit

1C

#### Voltage

UNV 120/277 Volt

UNV

120 Volt

277 Volt

#### Canopy Configuration

Power Canopy, driver inside canopy<sup>1</sup>

PC

Power Canopy with decorative J-box cover,<sup>1</sup>

DPC

driver inside canopy

Mini Power Canopy, driver inside canopy<sup>1</sup>

MPC

(Cable or Fixed Stem only, L11 or LFP only.

Not available with Warm Dim or Tunable White.)

#### Canopy Color<sup>2</sup>

(See finishes page for The Naturals options available with PC and MPC canopies only)

Matte Black

BK

Matte White

WH

Paladium Silver

PS

#### Control System & Dimming Level

0-10V - 0% Dimming<sup>3</sup>

LZ1

0-10V - 1% Dimming

L11

0-10V - 10% Dimming<sup>3</sup>

LD1

Phase Dimming

LFP

(120V only, 700DN & 900DN not available with PC or DPC)

Lutron Hi-Lume EcoSystem (LDE1) - 1% Dimming<sup>3</sup>

LH1

(700DN & 900DN not available.)

DALI - 0% Dimming<sup>3</sup>

DZ1

DALI - <1% Dimming (Tunable White)<sup>3</sup>

DZTW

DALI - 1% Dimming<sup>3</sup>

D11

#### Mounting

72" Cable, Straight Feed (Cut in field)

C72

144" Cable, Straight Feed (Cut in field)

C144

12", 50° Swivel Stem

B12

18", 50° Swivel Stem

B18

2'- 8' in 1' increments, 50° Swivel Stem

B\_

(Specify in inches, example: 8' stem = B96, Not available with MPC)

12", Fixed Stem

S12

18", Fixed Stem

S18

2'- 8' in 1' increments, Fixed Stem

S\_

(Specify in inches, example: 8' stem = S96)

#### Suspension Color<sup>2</sup>

Black

BK

White

WH

Gray (Cable mount only, Not available with MPC or Tunable White)

GRY

Paladium Silver (Stem mount only)

PS

#### Direct Optic

60° cut-off cone

DNS

75° cut-off cone with Solite Lens

DSS

#### Direct Distribution

Narrow Flood

NFL

Flood 1

FL1

Flood 2

FL2

Wide Flood

WFL

Very Wide Flood (DSS only)

VWFL

Super Wide Flood (DSS only)

SWFL

#### Factory Options

Emergency Battery Remote

EMR

(J-box cannot be recessed above the ceiling. Remote test switch.

Not available with Warm dim & Tunable white.)

#### Reflector Color

Clear Diffuse

CD

Warm Diffuse

WD

White

WH

Black

BK

#### Luminaire Finish<sup>2</sup>

(See finishes page for The Naturals options)

Black

BK

White

WH

Paladium Silver

PS

Custom Color options available

RAL\_ \_ \_ \_

<sup>1</sup>(LFP not available with PC or DPC.)

<sup>2</sup>(1500DN only, DNS only, PC or DPC only.)

<sup>3</sup>(DZTW with PC or DPC only.)

<sup>4</sup>(2300DN not available with DSS)

<sup>5</sup>(For custom colors specify an RAL color. Suspension custom color available for Stem mount only. Extended lead time, consult factory.)

<sup>6</sup>(PC or DPC only)

## PERFORMANCE CHARTS

STANDARD WHITE				
CCT	Lumen Output	Delivered Lumens	Tested System Watts	LPW
3500K, 80 CRI	700DN	663	8	79
	900DN	852	10	90
	1100DN	1041	12	88
	1300DN	1231	15	81
	1500DN	1420	17	82
	1700DN	1609	20	82
	1900DN	1799	22	82
	2100DN	1988	24	82
	2300DN	2177	27	82

Based on Short Cone (DNS), 3500K, 80CRI, Wide Flood, Clear Diffuse. See page 5 for lumen performance multipliers. Lumen output may vary +/- 5%. Actual wattage may vary +/- 5%.

WARM DIM				
CCT	Lumen Output	Delivered Lumens	System Watts	LPW
93018K	1500DN	1442	25	57
92718K	1500DN	1423	25	56

TUNABLE WHITE				
CCT	Lumen Output	Delivered Lumens	System Watts	LPW
2700K (2700-5000K & 2700-6500K)	700DN	643	13	48
	900DN	837	17	50
	1100DN	1031	21	50
	1300DN	1212	24	50
1800K (1800-4000K)	700DN	650	20	33
	900DN	833	25	34

## LUMEN MULTIPLIER TABLE

### Optic & Distribution

Trim Type	Optic	Distribution	Multiplier
Round [RD]	Tall Cone with 50° cut-off [DNT]	Narrow Flood [NFL]	1.12
		Flood 1 [FL1]	0.92
		Flood 2 [FL2]	1.06
		Wide Flood [WFL]	0.92
	Short Cone with 60° cut-off [DNS]	Narrow Flood [NFL]	0.99
		Flood 1 [FL1]	0.96
		Flood 1 [FL1]	0.92
		Wide Flood [WFL]	0.95
	Super Short Cone with Solite Lens with 75° cut-off [DSS]	Narrow Flood [NFL]	0.95
		Flood 1 [FL1]	0.89
		Flood 2 [FL2]	0.94
		Wide Flood [WFL]	0.93
		Very Wide Flood [VWFL]	1.00
		Super Wide Flood [SWFL]	0.95

### Reflector Color

Trim Type	Optic	Distribution	Multiplier
Round [RD]	Tall Cone with 50° cut-off [DNT]	Clear Diffuse [CD]	1.00
		Warm Diffuse [WD]	0.92
		White [WH]	1.09
		Black [BK]	0.46
	Short Cone with 60° cut-off [DNS]	Clear Diffuse [CD]	1.00
		Warm Diffuse [WD]	0.96
		White [WH]	1.12
		Black [BK]	0.62
	Super Short Cone with Solite Lens with 75° cut-off [DSS]	Clear Diffuse [CD]	1.00
		Warm Diffuse [WD]	0.97
		White [WH]	1.16
		Black [BK]	0.86

### Color Lumen Multipliers

CRI	STANDARD WHITE CCT				WARM DIM CCT RANGES		TUNABLE WHITE CCT RANGES		
	2700	3000	3500	4000	2700-1800K	3000-1800K	1800-4000K	2700-5000K	2700-6500K
80+	0.92	0.98	1.00	1.01	—	—	—	—	—
90+	0.76	0.79	0.82	0.84	0.95	0.96	1.00	1.00	1.00
97+	0.67	0.72	0.76	0.76	—	—	—	—	—

### How To Use Lumen Multipliers

**Formula:** (Lumen Output Value) x (Color Temperature & CRI) x (Optic & Distribution)

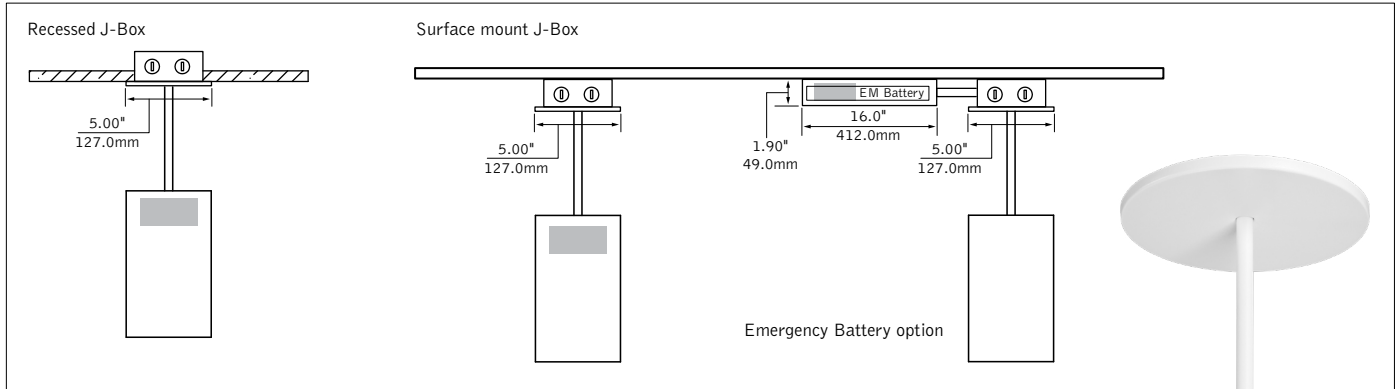
**Example:** FLCY3N-RD-1000DN-35K-DNT-FL1-CD

(1000) x (1.00) x (0.92) ≈ 920 lm (estimated delivered lumens)

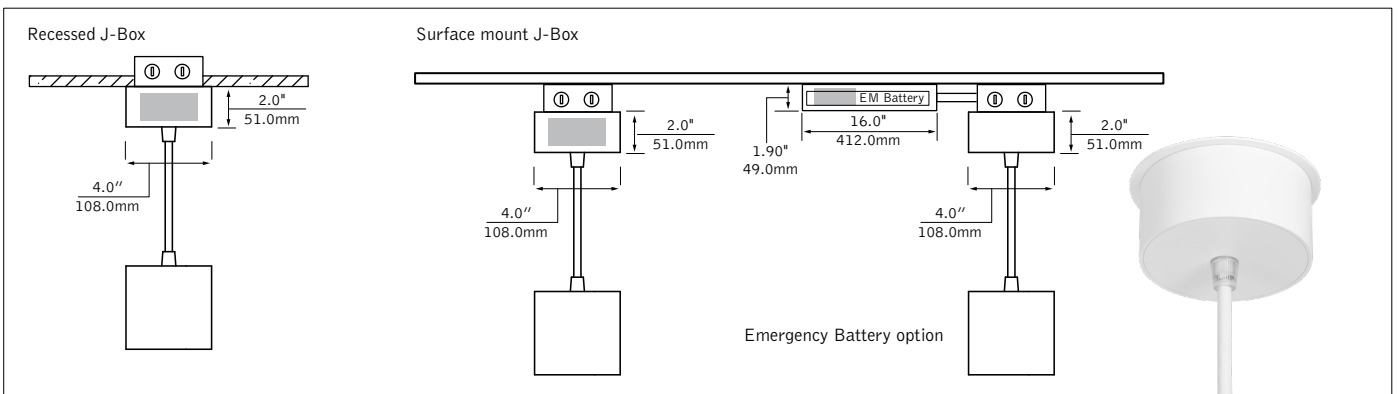
## DIMENSIONAL DATA

SC - Shallow Canopy, Integral Driver

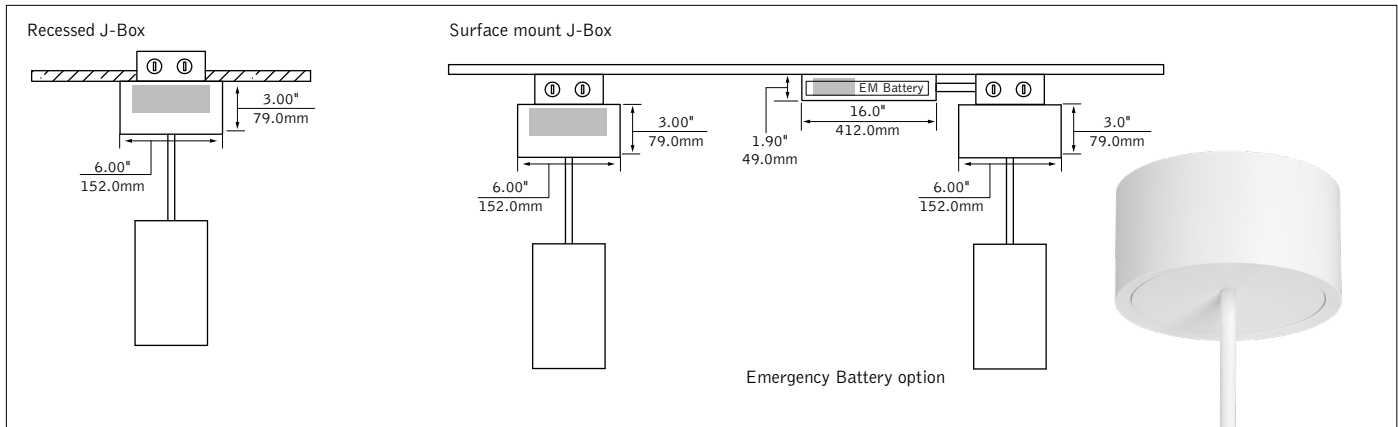
 Indicates Driver Location



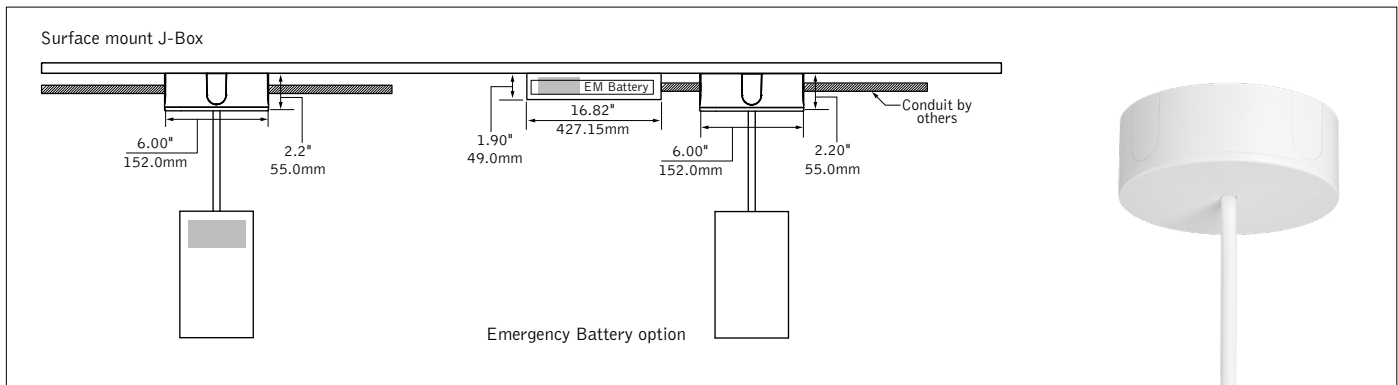
MPC - Mini Power Canopy (cable suspension shown)



PC - Power Canopy

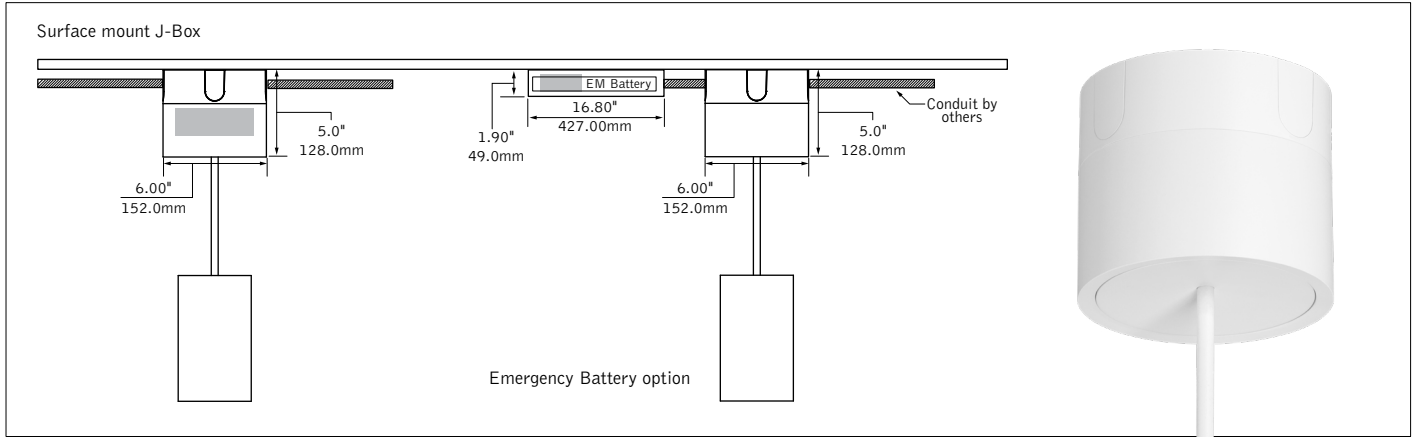


DSC - Shallow Canopy with decorative J-box cover, Integral Driver



**DIMENSIONAL DATA CONTINUED**

DPC - Power Canopy with decorative J-box cover



# Finishes



## STANDARD FINISHES



## THE NATURALS (25% SCALE)

