

ID+ 3.5" Pure Cylinder - Surface Mount

FLCY3N-RD-7H - Shallow Canopy

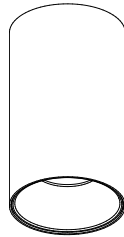


FOCAL POINT®

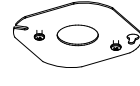
BEFORE YOU BEGIN

- Luminaires must be installed by a qualified electrician (check with local and national codes for proper installation).
- To prevent electrical shock, disconnect electrical supply before installation or servicing.
- Contractor is responsible for adequately reinforcing walls and/or ceilings to support fixture weight.
- Focal Point, LLC accepts no responsibility for inadequately reinforced walls and/or ceilings.
- The information contained in this drawing is the sole property of Focal Point, LLC. Any reproduction in part or whole without the written permission of Focal Point, LLC is prohibited.

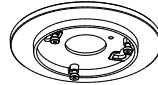
COMPONENT KEY



SHALLOW CANOPY

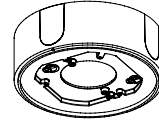


J-BOX MOUNTING BRACKET

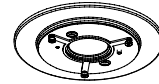


SHALLOW CANOPY

DECORATIVE SHALLOW CANOPY



DECORATIVE J-BOX COVER



SHALLOW CANOPY



MOUNTING SCREWS #72009

INSTRUCTION KEY



ATTENTION



SEE ADDITIONAL INSTRUCTIONS



POWER OFF



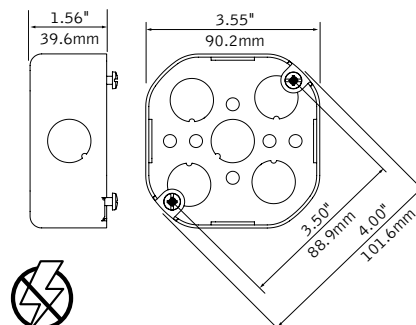
POWER ON



LUMINAIRE MUST BE INSTALLED PRIOR TO DRYWALL CEILING. ALL GRID LUMINAIRE MUST BE SECURED TO STRUCTURE ABOVE.

4" OCTAGONAL J-BOX REQUIRED

J-BOX BY OTHERS

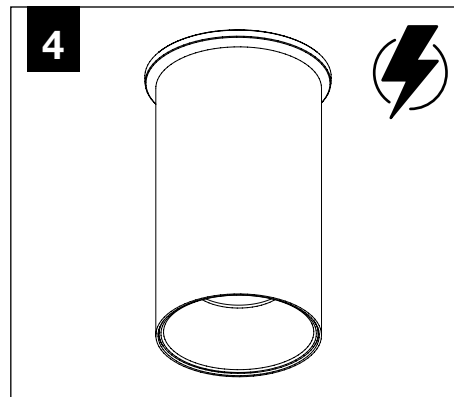
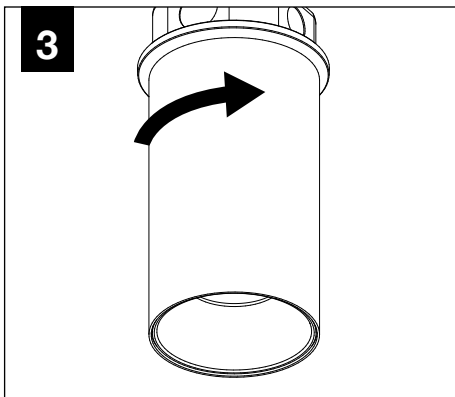
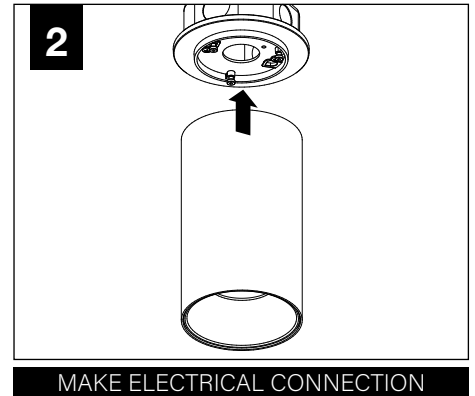
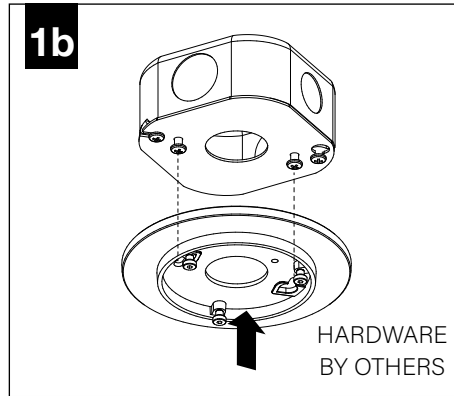
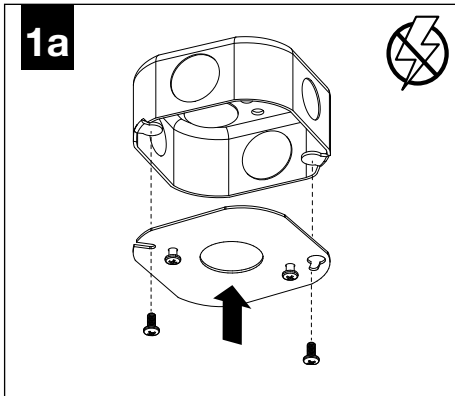


EMERGENCY

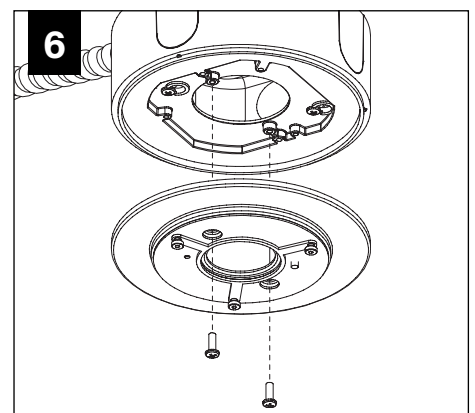
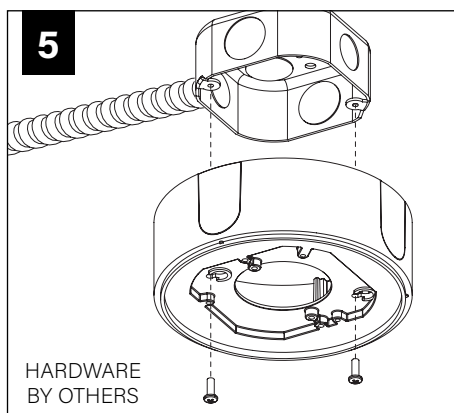
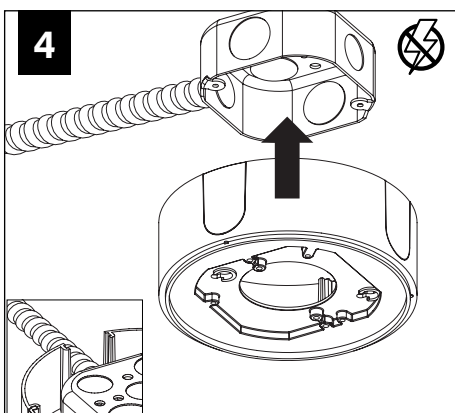
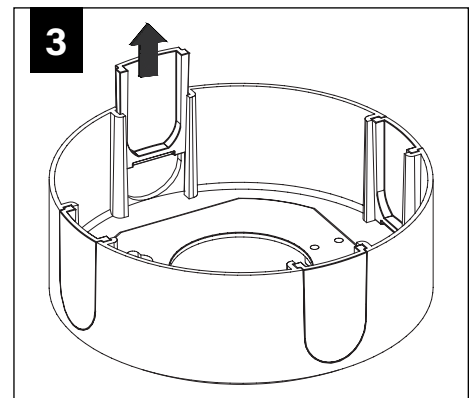
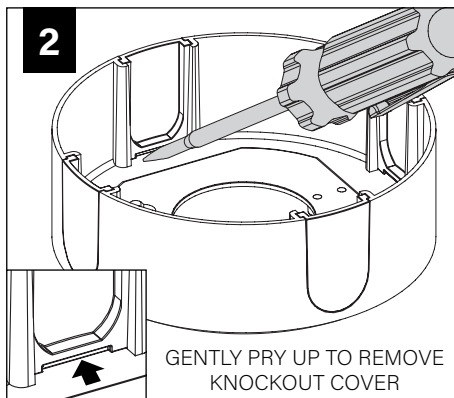
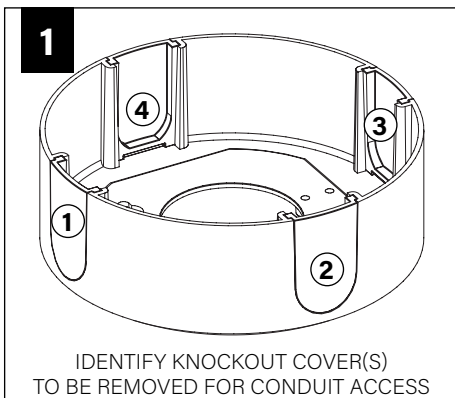


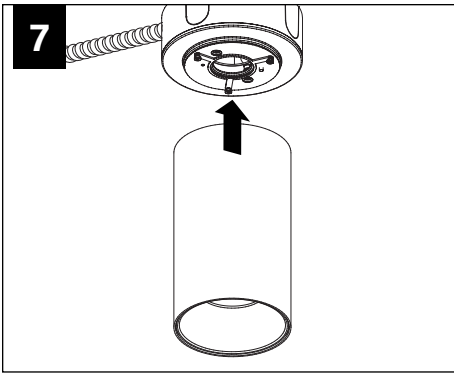
PRIOR TO LUMINAIRE INSTALLATION, SEE **PAGE 5** FOR EMERGENCY INSTALLATION INSTRUCTIONS.

SHALLOW CANOPY

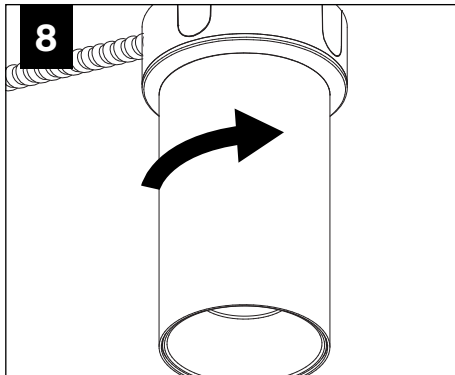


DECORATIVE SHALLOW CANOPY

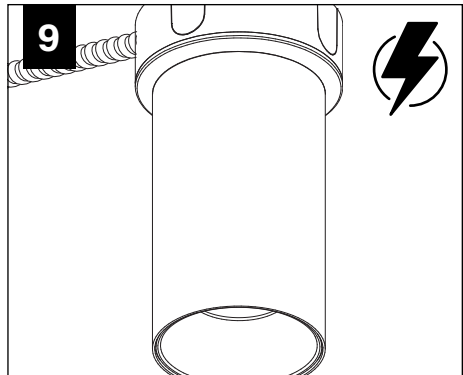




7
MAKE ELECTRICAL CONNECTION

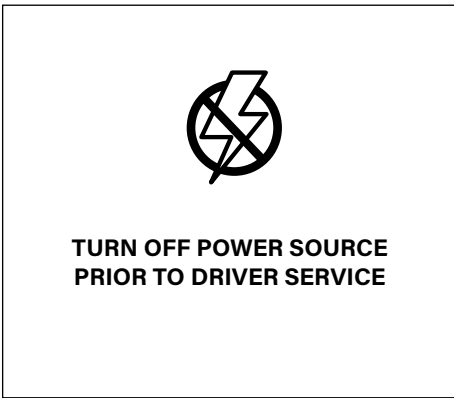


8

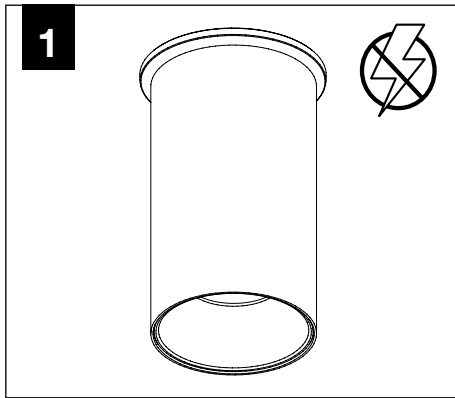


9

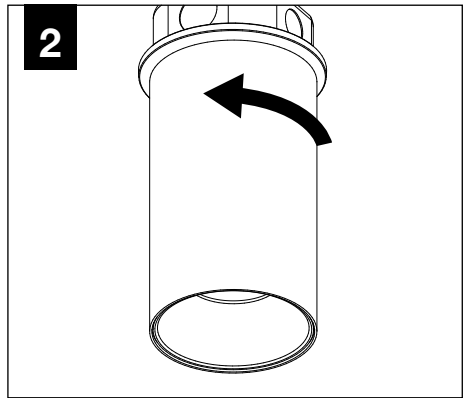
DRIVER SERVICE



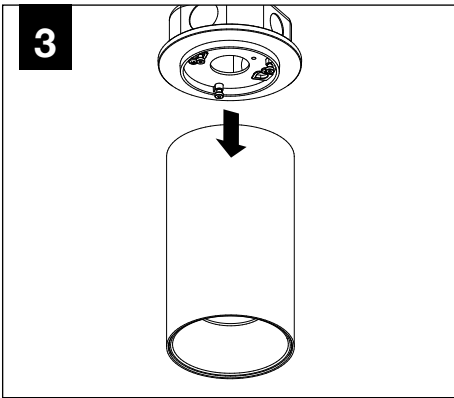
TURN OFF POWER SOURCE
PRIOR TO DRIVER SERVICE



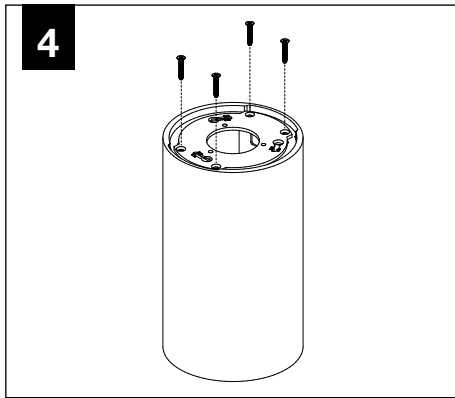
1



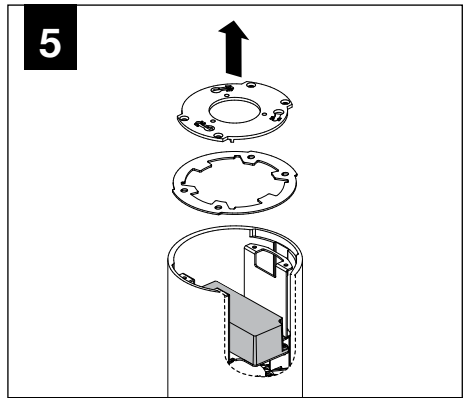
2



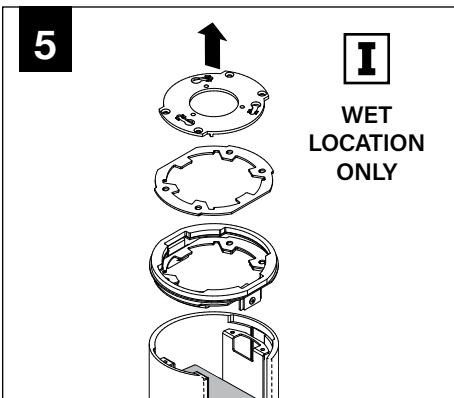
3



4

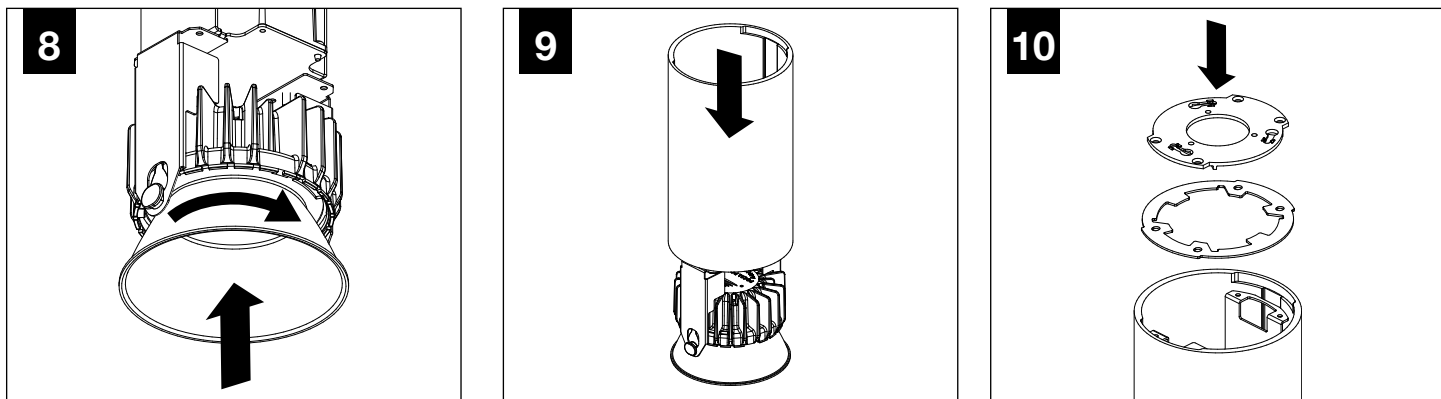
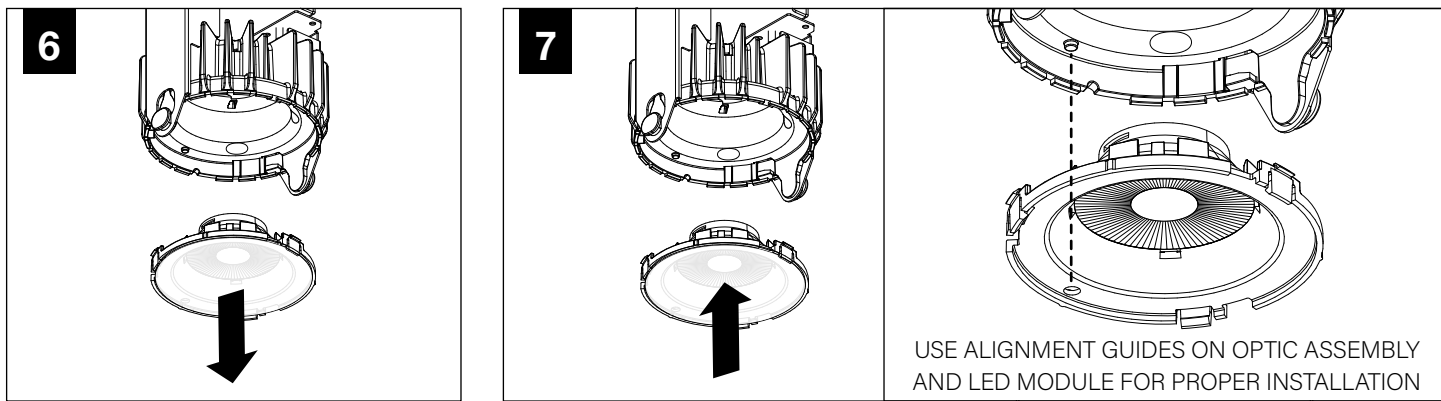
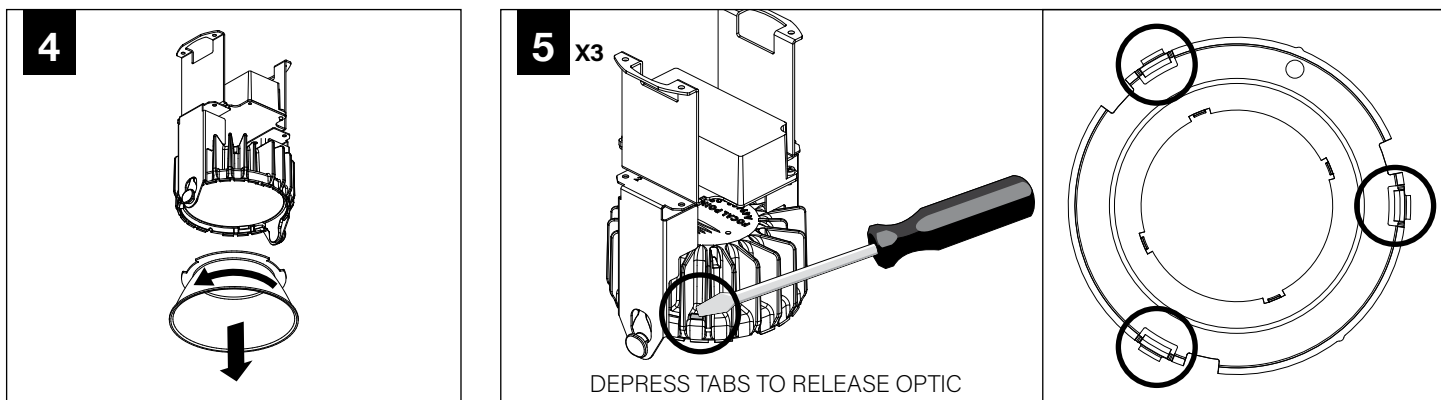
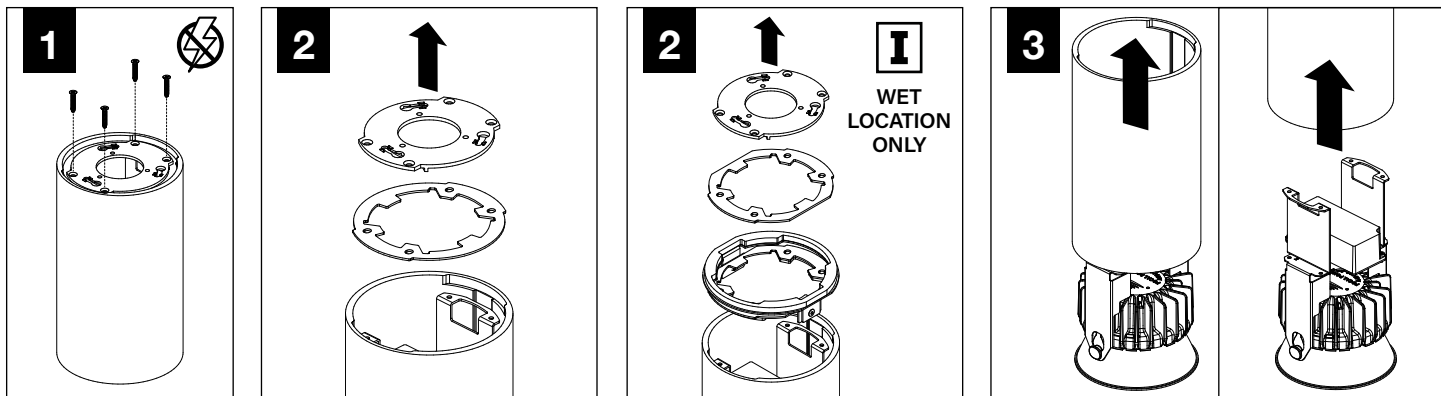


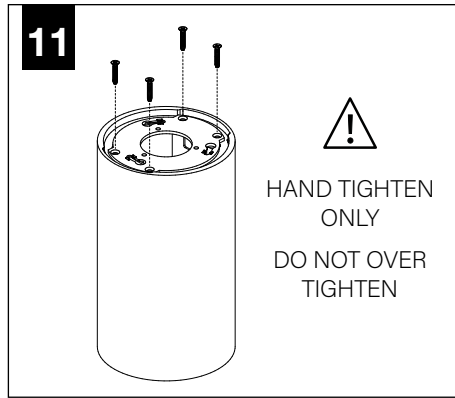
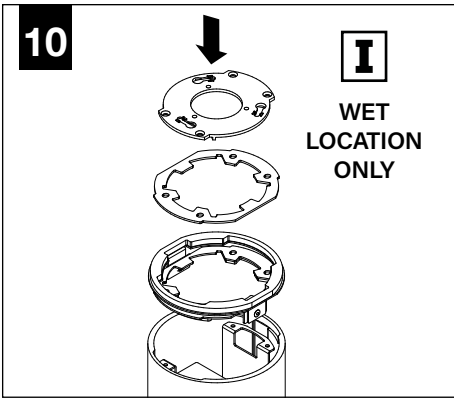
5



5
I
WET
LOCATION
ONLY

OPTIC SERVICE





EMERGENCY

