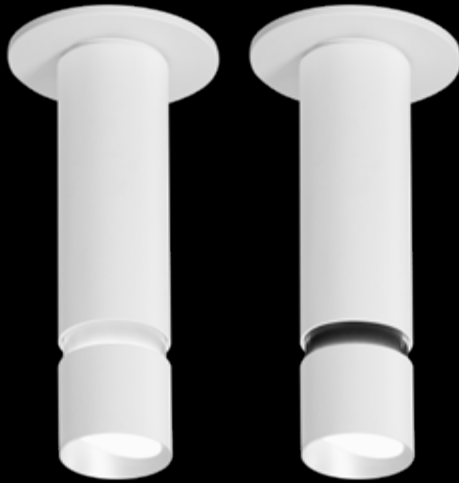


ID+ 2" Cylinder

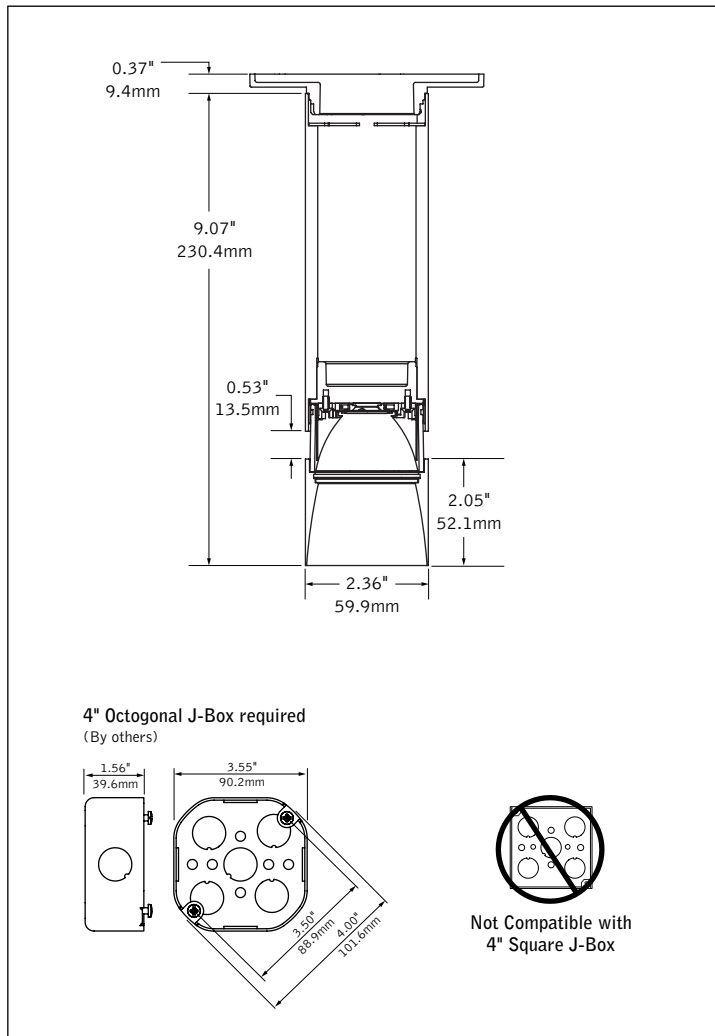
LED SURFACE MOUNT WALL WASH WITH DECORATIVE REVEAL



FOCAL POINT®



DIMENSIONAL DATA (continued on page 3)



FEATURES

2" surface mount wall wash cylinder with decorative reveal.

Decorative reveal available with or without glow.

Custom color option for glowing reveal.

One-piece die-cast reflector with a knife edge for a modern aesthetic.

Wet location for indoor applications.

Warm Dim: Lighting that enhances spaces with a warm glow, reminiscent of incandescent or halogen light sources.

PoE compatible: Integrates with Power over Ethernet lighting systems via standard, low-voltage wires.

PERFORMANCE

Wall Wash

Delivered Lumens: 1100lm

Total System Watts: 17.4W

| | |
|---------------|------------|
| Lumen Output: | 500-1100lm |
| Wattage: | 9.0-17.4W |
| LPW: | 56.9-64.7 |
| SDCM: | 2 |

Photometric performance is measured in accordance with IESNA LM-79. Visit focalpointlights.com for complete photometric data.

fixture:

project:

SPECIFICATIONS

LED System

Proprietary LED module with single light emitting source. May be specified in 2700K, 3000K, 3500K or 4000K in CRI>80, CRI>90 or CRI 97. 3500K and 4000K with CRI of 90 have a cyanosis observation index (COI) of 3.3 or less. Color accuracy within 2 SDCM; Warm Dim 3-5 SDCM. Aluminum heat sink provides appropriate thermal management.

Construction

Upper housing is extruded aluminum. Lower reflector is die-cast aluminum. Twist & lock construction leaves no visible fasteners within the knife edge trim. Fixture will not exceed 5 lb.

Optics

Premier lensed wall wash with carefully engineered optics enable uniform illumination from floor to ceiling. For best results, 3ft of the wall and 4ft OC fixture placement is recommended. Reflector comprise a tool-less mechanism which enables infinite horizontal rotation to aid aiming on the wall.

Electrical

Choice of constant current dimming drivers. Power factor > .9 typical. PoE compatible: Integrates with Power over Ethernet lighting systems via standard, low-voltage wires. Integral Driver not Right Light as standard, consult factory.

Labels

UL and cUL listed. Suitable for Dry or Damp Locations, indoor use only. Wet Location standard, indoor use only.

Finish

Polyester powder coat applied over a multi-stage pre-treatment.

Lumen Maintenance

| | | | |
|-----------|--------------------|-------------|---------------------|
| Reported: | L70 > 55,000 hours | Calculated: | L70 > 200,000 hours |
| | L80 > 55,000 hours | | L80 > 124,000 hours |

(Derived from EPA TM-21 calculator. Based on typical conditions, consult factory for additional data.)


Reliability

At Focal Point, our products are designed to stand the test of time. Each luminaire is engineered using superior components, manufactured with the utmost care and rigorously tested. Contact us for reliability data.

Warranty

LED system rated for operation in ambient environments up to 25°C. 5 year limited warranty.

PERFORMANCE TABLE

| Lumen Output | Delivered Lumens | System Watts | LPW |
|--|------------------|--------------|------|
| 500L | 512 | 9.0 | 56.9 |
| 700L | 716 | 11.8 | 60.7 |
|  700L | 632 | 13.9 | 46.0 |
| 900L | 921 | 14.5 | 63.5 |
| 1100L | 1126 | 17.4 | 64.7 |

3500K, 80CRI, Clear Diffuse, Wall Wash Distribution. Warm Dim based on 3000 - 1800K, 90 CRI. Lumen output may vary +/- 5%. Actual wattage may vary +/- 5%.


ORDERING

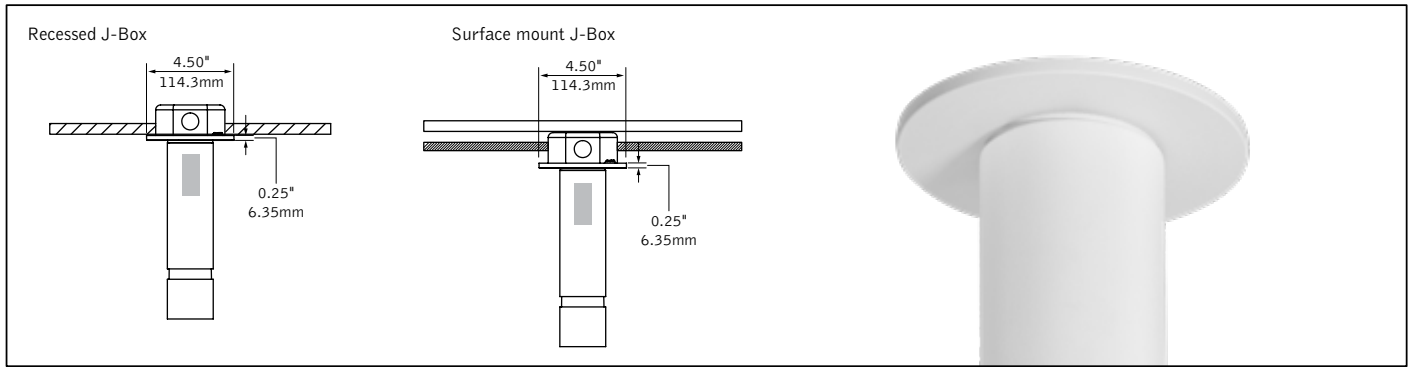
| | | |
|---|----------|---------------|
| Luminaire Series ID+ 2" Round Wall Wash Cylinder | FLCY2W | FLCY2W |
| Trim Type Round | RD | RD |
| Decorative Reveal | | |
| White Non-Glow Reveal | WHR | |
| Black Non-Glow Reveal | BKR | |
| White Glowing Reveal | WHG | |
| Black Glowing Reveal | BKG | |
| Clear Diffuse Glowing Reveal | CDG | |
| Warm Diffuse Glowing Reveal | WDG | |
| Custom Color Glowing Reveal <small>(Specify your RAL color value. Extended lead time consult factory.)</small> | RAL_____ | |
| Lumen Output | | |
| 500 Lumens | 500L | |
| 700 Lumens | 700L | |
| 900 Lumens | 900L | |
| 1100 Lumens | 1100L | |
| Color Temperature <small>(Add 9 for 90 CRI or H for 97 CRI. Leave blank for 80 CRI. Examples: 2700K, 97 CRI = H27K. 2700K, 80 CRI = 27K.)</small> | | |
| 2700K, 80/90/97+ CRI | _27K | |
| 3000K, 80/90/97+ CRI | _30K | |
| 3500K, 80/90/97+ CRI | _35K | |
| 4000K, 80/90/97+ CRI | _40K | |
| Warm Dim: 2700-1800K, 90+ CRI* | 92718W | |
| Warm Dim: 3000-1800K, 90+ CRI* | 93018W | |
| <small>*(700L only. Not available LV.)</small> | | |
| Circuit | | 1C |
| Single Circuit | 1C | |
| Voltage | | |
| 120 Volt | 120 | |
| 277 Volt | 277 | |
| Low Voltage | LV | |
| Canopy Configuration | | |
| Shallow Canopy, Integral Driver | SC | |
| Decorative Shallow Canopy, Integral Driver | DSC | |
| Control System & Dimming Level | | |
| 0-10V - 5% Dimming <small>(120V only)</small> | LD5 | |
| 0-10V - 10% Dimming <small>(277V only)</small> | LD1 | |
| Low Voltage, PoE compatible <small>(No driver. LV voltage only. Not available with Warm Dimming.)</small> | LVN | |
| Phase Dimming <small>(120V only. Consult factory for recommended dimmers.)</small> | LFP | |
| Mounting | | SM |
| Surface Mount | SM | |
| Optic | | WW |
| Wall Wash | WW | |
| Reflector Color | | |
| Clear Diffuse | CD | |
| Warm Diffuse | WD | |
| Luminaire Finish <small>(Cylinder and canopy finish match)</small> | | |
| Black | BK | |
| White | WH | |

*Changing to a Downlight from a Wall wash will result in a step higher nominal lumen than originally specified. Please use lumen multiplier formula to determine delivered lumen output. See the Accessories Ordering section of the Downlight cut sheet. [Download the dedicated Downlight cut sheet.](#)

DIMENSIONAL DATA CONTINUED

SC - Shallow Canopy, Integral Driver

 Indicates Driver Location



DSC - Decorative Shallow Canopy, Integral Driver



2" CYLINDER LUMEN MULTIPLIER TABLE

Color Temperature & CRI

| Trim Type | Optic | Color Temperature | Multiplier |
|------------|-------|------------------------------|------------|
| Round [RD] | ALL | 2700K, 80+ CRI [27K] | 0.92 |
| | | 2700K, 90+ CRI [927K] | 0.79 |
| | | 2700K, 97+ CRI [H27K] | 0.67 |
| | | 3000K, 80+ CRI [30K] | 0.98 |
| | | 3000K, 90+ CRI [930K] | 0.83 |
| | | 3000K, 97+ CRI [H30K] | 0.72 |
| | | 3500K, 80+ CRI [35K] | 1.00 |
| | | 3500K, 90+ CRI [935K] | 0.82 |
| | | 3500K, 97+ CRI [H35K] | 0.73 |
| | | 4000K, 80+ CRI [40K] | 1.01 |
| | | 4000K, 90+ CRI [940K] | 0.84 |
| | | 4000K, 97+ CRI [H40K] | 0.76 |
| | | 2700-1800K, 90+ CRI [92718W] | 0.87 |
| | | 3000-1800K, 90+ CRI [93018W] | 0.90 |

Color

| Trim Type | Optic | Color | Multiplier |
|-----------|----------------|--------------------|------------|
| ALL | Wall Wash [WW] | Clear Diffuse [CD] | 1.00 |
| | | Warm Diffuse [WD] | 1.00 |

Multiplier tables are provided to aid with estimation of lumen levels across options. Apply multipliers against ordered Lumen Output to estimate Delivered Lumens. Refer to IES files for most accurate photometric information.

How To Use Lumen Multipliers

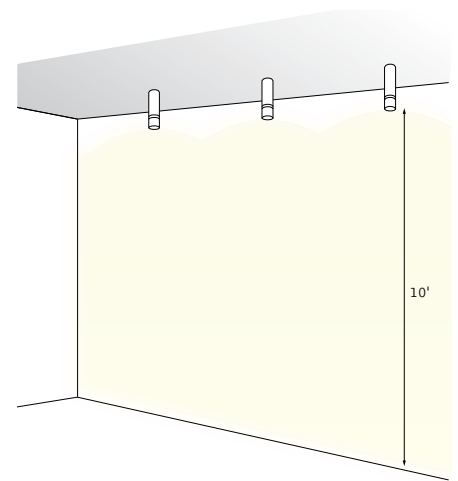
Formula: (Lumen Output Value) x (Color Temperature & CRI) x (Color)

Example: FLCY2W-RD-1000L-935K-WW-WD

(1100) x (0.82) x (1.00) ≈ 902 lm (estimated delivered lumens)

WALL WASH DESIGN GUIDE - 900 LUMEN EXAMPLE

| Distance from bottom of fixture | Footcandles | | | | | | | | | |
|---------------------------------|-----------------------|----------|----------|-------------------------|---------|--------|-----------------------|---------|-------|-------|
| | Fixtures 3' from Wall | | | Fixtures 3.5' from Wall | | | Fixtures 4' from Wall | | | |
| | 3' OC | 3.5' OC | 4' OC | 3' OC | 3.5' OC | 4' OC | 3' OC | 3.5' OC | 4' OC | |
| 1'-0" | 3" | 1 1 1 | 1 1 1 | 1 1 1 | 1 1 1 | 1 1 1 | 1 1 1 | 1 1 1 | 1 1 1 | 1 1 1 |
| | 6" | 1 1 1 | 1 1 1 | 1 1 1 | 1 1 1 | 1 1 1 | 1 1 1 | 1 1 1 | 1 1 1 | 1 1 1 |
| | 9" | 2 2 2 | 2 2 2 | 2 2 2 | 1 2 1 | 1 1 1 | 1 1 1 | 1 1 1 | 1 1 1 | 1 1 1 |
| | 12" | 3 3 3 | 3 3 2 | 2 3 3 | 2 3 2 | 2 2 2 | 2 2 2 | 1 1 1 | 1 1 1 | 1 1 1 |
| 2' | 5 6 5 | 4 5 4 | 4 5 4 | 3 4 3 | 3 4 3 | 3 3 3 | 2 3 2 | 2 3 2 | 2 2 2 | |
| 3' | 7 8 7 | 6 8 6 | 6 7 6 | 5 6 5 | 5 5 5 | 4 5 4 | 4 5 4 | 3 4 3 | 3 4 3 | |
| 4' | 9 10 9 | 8 10 8 | 7 9 8 | 6 8 6 | 6 7 6 | 5 6 5 | 5 6 5 | 4 5 4 | 4 5 4 | |
| 5' | 11 13 11 | 10 12 10 | 9 11 9 | 8 9 8 | 7 8 7 | 6 8 6 | 6 7 6 | 5 6 5 | 5 6 5 | |
| 6' | 12 15 12 | 11 14 11 | 10 13 10 | 9 11 9 | 8 10 8 | 8 9 8 | 7 8 7 | 6 7 6 | 6 7 6 | |
| 7' | 13 15 13 | 12 14 12 | 11 13 11 | 10 12 10 | 9 11 9 | 8 10 8 | 8 9 8 | 7 8 7 | 6 8 6 | |
| 8' | 13 15 13 | 12 14 12 | 11 13 11 | 10 12 10 | 9 11 9 | 9 11 9 | 8 10 8 | 8 9 8 | 7 8 7 | |
| 9' | 12 14 12 | 11 13 11 | 10 13 10 | 10 12 10 | 9 11 10 | 9 11 9 | 8 10 8 | 8 9 8 | 7 9 7 | |
| 10' | 11 13 11 | 10 12 11 | 10 12 10 | 10 11 10 | 9 11 9 | 9 10 9 | 8 10 8 | 8 9 8 | 7 9 7 | |



IES file: FLCY2W-RD-WHR-900L-835K-WW-CD-WH.ies