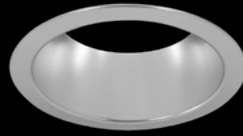


ID+ 4.5"

LED ADJUSTABLE



FOCAL POINT®



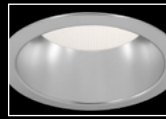
clear diffuse



warm diffuse

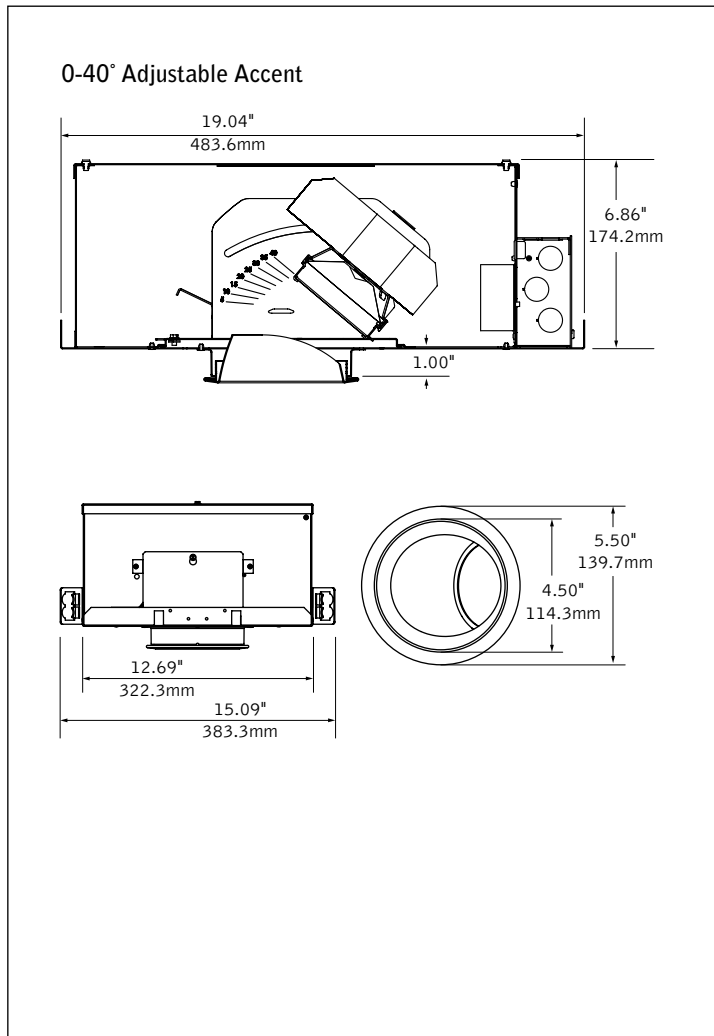


white painted



downlight with solite lens

DIMENSIONAL DATA



FEATURES

10° beam is ideal for art and object accenting, additional beamreads up to 40° complement any application.

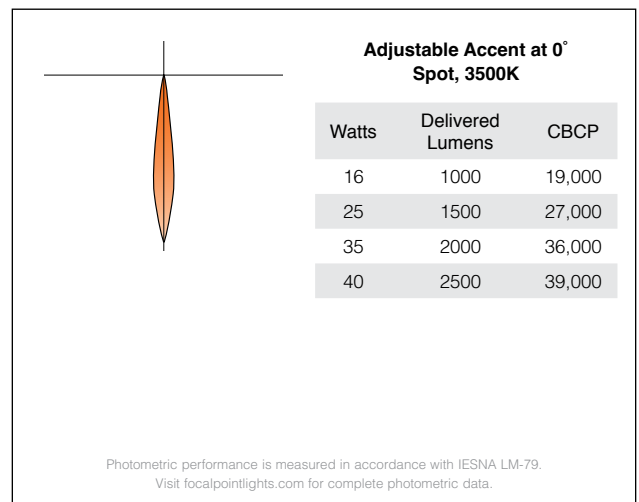
Allows for aiming with locking 40° vertical tilt and 360° rotation of light module.

Center Beam Optic allows maximum light output at all tilt angles.

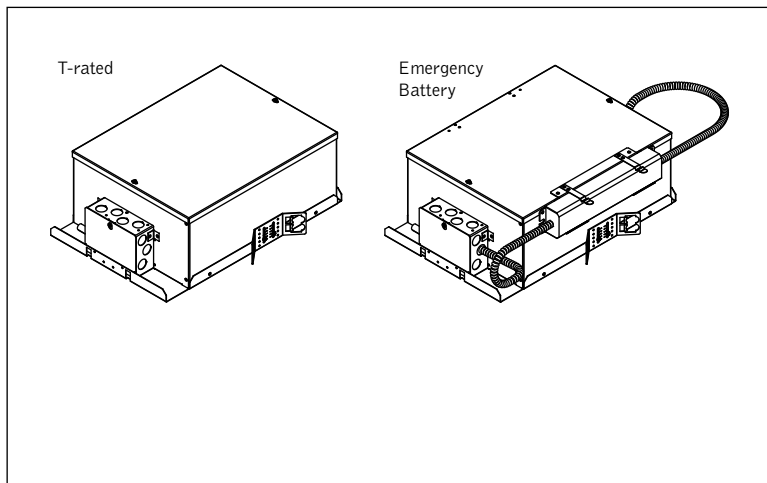
Selection of dimming drivers available.

Self-flanged Clear Diffuse reflector cone features superior brightness control.

PERFORMANCE



HOUSING DETAILS



HOUSING SPECIFICATIONS

LED System

Proprietary LED module with single light emitting source. May be specified in 2700K, 3000K, 3500K or 4000K in CRI>80 or CRI>90. Color accuracy within 2 SDCM. Aluminum heat sink provides appropriate thermal management.

Construction

Thermally protected housing for new construction applications. Insulation to be kept 3" away from housing. Butterfly brackets allow mounting to 1/2 emt. Order bar hangers as an accessory. Extruded aluminum heat sink designed for maximum thermal dissipation. Die-formed housing and integral junction box with (9) 1/2" pry outs. UL & cUL listed for (8) #12 AWG (4 in, 4 out) 90°C conductors and feed through-branch wiring. Accommodates ceiling thicknesses up to 0.5" standard, field adjustable up to 2.5" thickness. For thicker ceiling consult factory. Fixture will not exceed 15 lb.

Adjustment

Manual locking 40° vertical tilt and 360° rotation of light module.

Electrical

Choice of constant current dimming drivers. Power factor > .9 typical.

Emergency Battery

Bodine BSL17-C2. Emergency output—7W for 90 minutes. Maximum mounting height: 20ft. Above ceiling access only.

Labels

UL and cUL listed. Suitable for Dry or Damp Locations, indoor use only. Lensed options Wet Listed.

Lumen Maintenance

Reported: L80 at >36,000 hours Calculated: L80 at 102,000 hours
 Derived from EPA TM-21 calculator. Based on typical conditions, consult factory for additional data.

Reliability

At Focal Point, our products are designed to stand the test of time. Each luminaire is engineered using superior components, manufactured with the utmost care and rigorously tested. Contact us for reliability data.

Warranty

LED System rated for operation in ambient environments up to 35°C. 5-year limited warranty.

TRIM SPECIFICATIONS

Aesthetics

Parabolic reflector cone ensures glare free optics. Reflector is .040 spun aluminum. Torsion springs pull trim tight to the ceiling with no visible fasteners within the trim. Overlap trims are self-flanged. Non-painted trim matches reflector finish. White painted flange may also be specified.

Optics

Beamspreads achieved with optical filters that may be easily changed in field.

PERFORMANCE CHART

See Page 3

HOUSING ORDERING

Housing Series	FLCS4
ID+ 4.5" Round Housing	FLCS4
Trim Type	
Round Flush	RF
Round Overlap	RO
Lumen Output	
1000 Lumens	1000L
1500 Lumens	1500L
2000 Lumens	2000L
2500 Lumens	2500L
Color Temperature	
2700K, 80+ CRI or 90+ CRI	27K or 927K
3000K, 80+ CRI or 90+ CRI	30K or 930K
3500K, 80+ CRI or 90+ CRI	35K or 935K
4000K, 80+ CRI or 90+ CRI*	40K or 940K*
(*Not available with 2000 or 2500 lumens)	
Distribution	
Spot	SP
<small>(Soft focus lens standard. Remove to achieve 10° beam.)</small>	
Spot with Solite Lens	SPA
<small>(Not available with Regress Lens Optics CL & SL)</small>	
Narrow Flood	NFL
Flood	FL
Linear Spread Lens	LS
Voltage	
120V	120
277V	277
Driver	
0-10V - 1% Dimming	L11
0-10V - 10% Dimming	LD1
Lutron Hi-Lume EcoSystem (LDE1) - 1% Dimming	LH1
<small>(Not available with 2500L)</small>	
Lutron 5-Series EcoSystem (LDE5) - 5% Dimming	LU5
<small>(Available with 1000L & 1500L)</small>	
DALI - 1% Dimming	D11
DMX - 3-Channel, 0% Dimming	MZ3
Housing Type	T
Thermally Protected, Non-IC	T
Factory Options	
Bar Hangers	BH
Chicago Plenum / National Plenum	CP
Emergency Battery with Remote Test Switch	EMR
<small>(Above ceiling access only, Not available with 2500L, RF trim or Chicago Plenum / National Plenum)</small>	
TRIM ORDERING	
Aperture	LCS4
4.5" Round Aperture	LCS4
Trim Type	RD
Round	RD
Optic	
Adjustable Accent	AA
Downlight	DN
Downlight - Regress Clear Lens	CL
Downlight - Regress Solite Lens	SL
Reflector Color	
Clear Diffuse	CD
Warm Diffuse	WD
Flange Finish	
Non-Painted	NP
White Painted	WP
ACCESSORIES	
<small>(One kit included per order as indicated in Distributor above. Order additional kits to change distribution in the field as needed.)</small>	
Spot Kit	FLCS4-SPK
Spot with Solite Lens Kit	FLCS4-SPAK
Narrow Flood Kit	FLCS4-NFLK
Flood Kit	FLCS4-FLK
Linear Spread Kit	FLCS4-LSK

PERFORMANCE CHART AT 0°

Lumen Output	Distribution	Delivered Lumens	System Watts	Beamspread	Center Beam Candlepower (CBCP)
1000 Lumens	Spot	1000	16	10°	19,000
	Narrow Flood	850	16	25°	4,500
	Flood	750	16	40°	1,700
1500 Lumens	Spot	1500	25	10°	27,000
	Narrow Flood	1200	25	25°	7,000
	Flood	1100	25	40°	2,500
2000 Lumens	Spot	2000	36	10°	36,000
	Narrow Flood	1500	36	25°	10,000
	Flood	1500	36	40°	3,400
2500 Lumens	Spot	2500	42	10°	39,000
	Narrow Flood	2100	42	25°	12,000
	Flood	2000	42	40°	4,500

Lumen output may vary +/- 5%. 3500K & 4000K Color Temperature. 2700K & 3000K multiplier: 0.9344