

ID+ 4.5" x 4.5"

LED ADJUSTABLE



white



black



titanium silver

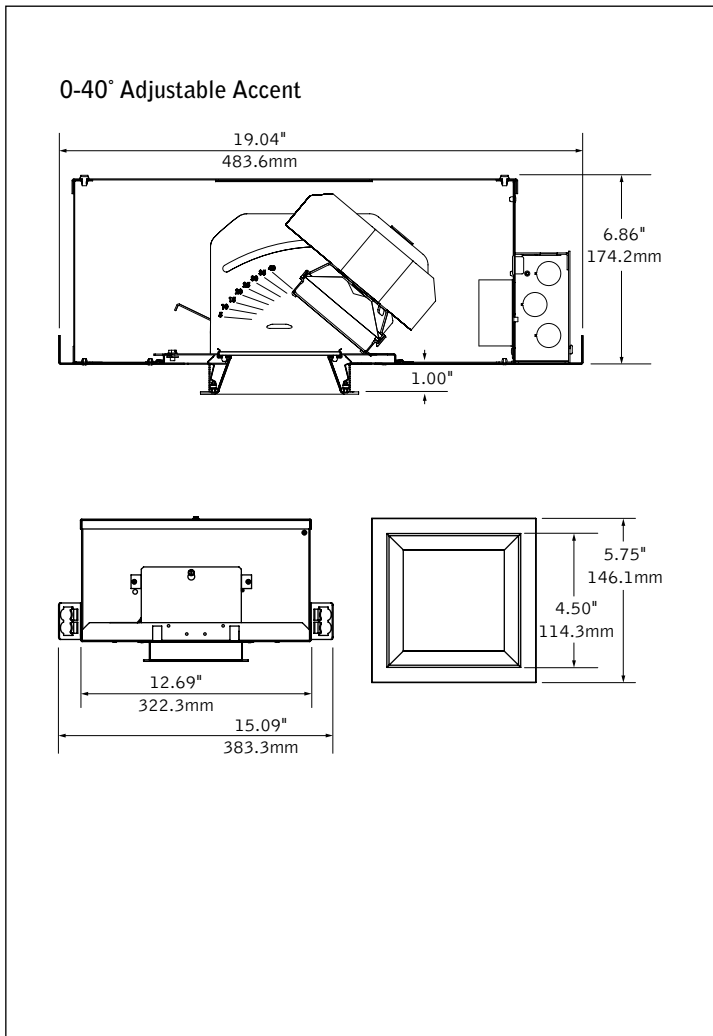


clear diffuse



warm diffuse

DIMENSIONAL DATA



FEATURES

10° beam is ideal for art and object accenting, additional beamreads up to 40° complement any application.

Allows for aiming with locking 40° vertical tilt and 360° rotation of light module.

Center Beam Optic allows maximum light output at all tilt angles.

Selection of dimming drivers available.

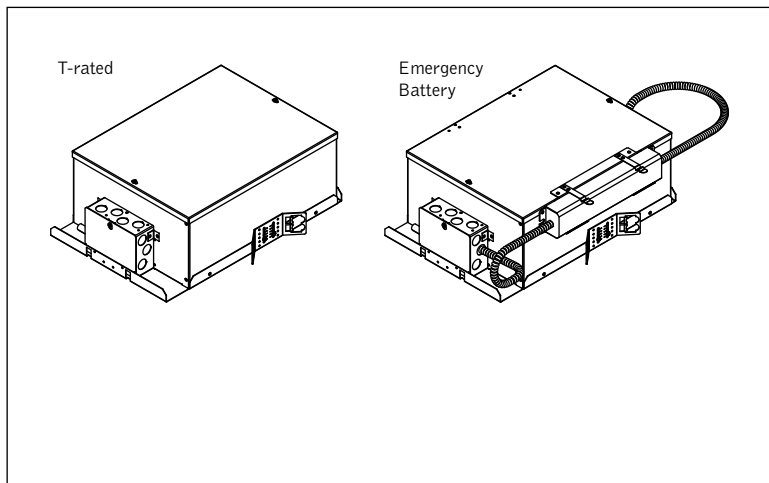
PERFORMANCE

Adjustable Accent at 0°, Spot, 3500K

| Watts | Delivered Lumens | CBCP |
|-------|------------------|--------|
| 16 | 1000 | 18,000 |
| 25 | 1500 | 25,000 |
| 35 | 2000 | 34,000 |
| 40 | 2500 | 33,000 |

Photometric performance is measured in accordance with IESNA LM-79. Visit focalpointlights.com for complete photometric data.

HOUSING DETAILS



HOUSING SPECIFICATIONS

LED System

Proprietary LED module with single light emitting source. May be specified in 2700K, 3000K, 3500K or 4000K in CRI>80 or CRI>90. Color accuracy within 2 SDCM. Aluminum heat sink provides appropriate thermal management.

Construction

Thermally protected housing for new construction applications. Insulation to be kept 3" away from housing. Butterfly brackets allow mounting to 1/2 emt. Order bar hangers as an accessory. Extruded aluminum heat sink designed for maximum thermal dissipation. Die-formed housing and integral junction box with (9) 1/2" pry outs. UL & cUL listed for (8) #12 AWG (4 in, 4 out) 90°C conductors and feed through-branch wiring. Accommodates ceiling thicknesses up to 1.85" maximum. Fixture will not exceed 15 lb.

Adjustment

Manual locking 40° vertical tilt and 360° rotation of light module.

Electrical

Choice of constant current dimming drivers. Power factor > .9 typical.

Emergency Battery

Bodine BSL17-C2. Emergency output—7W for 90 minutes. Maximum mounting height: 20ft. Above ceiling access only.

Labels

UL and cUL listed. Suitable for Dry or Damp Locations, indoor use only. Lensed options Wet Listed.

Lumen Maintenance

Reported: L80 at >36,000 hours Calculated: L80 at 102,000 hours
 Derived from EPA TM-21 calculator. Based on typical conditions, consult factory for additional data.

Reliability

At Focal Point, our products are designed to stand the test of time. Each luminaire is engineered using superior components, manufactured with the utmost care and rigorously tested. Contact us for reliability data.

Warranty

LED System rated for operation in ambient environments up to 35°C. 5-year limited warranty.

TRIM SPECIFICATIONS

Aesthetics

Die-formed aluminum reflector ensures glare free optics. Reflector attaches to die-cast, seamless flange and may be removed for field painting. Compression springs pull trim tight to the ceiling with no visible fasteners within the trim.

Optics

Beamspreads achieved with optical filters that may be easily changed in field.

PERFORMANCE CHART

See Page 3

HOUSING ORDERING

| | |
|--|---------------|
| Housing Series | FLCS44 |
| ID+ 4.5" Square Housing | FLCS44 |
| Trim Type | |
| Square Flush | SF |
| Square Overlap | SO |
| Lumen Output | |
| 1000 Lumens | 1000L |
| 1500 Lumens | 1500L |
| 2000 Lumens | 2000L |
| 2500 Lumens | 2500L |
| Color Temperature | |
| 2700K, 80+ CRI or 90+ CRI | 27K or 927K |
| 3000K, 80+ CRI or 90+ CRI | 30K or 930K |
| 3500K, 80+ CRI or 90+ CRI | 35K or 935K |
| 4000K, 80+ CRI or 90+ CRI* | 40K or 940K* |
| (*Not available with 2000 or 2500 lumens) | |
| Distribution | |
| Spot | SP |
| Narrow Flood | NFL |
| Flood | FL |
| Linear Spread Lens | LS |
| Voltage | |
| 120V | 120 |
| 277V | 277 |
| Driver | |
| 0-10V - 1% Dimming | L11 |
| (Not available with 2500L) | |
| 0-10V - 10% Dimming | LD1 |
| Lutron Hi-Lume EcoSystem (LDE1) | |
| - 1% Dimming | LH1 |
| (Not available with 2500L) | |
| Lutron 5-Series EcoSystem (LDE5) | |
| - 5% Dimming | LU5 |
| (Available with 1000L & 1500L) | |
| DALI - 1% Dimming | D11 |
| DMX - 3-Channel, 0% Dimming | MZ3 |
| Housing Type | T |
| Thermally Protected, Non-IC | T |
| Factory Options | |
| Bar Hangers | BH |
| Chicago Plenum / National Plenum | CP |
| Emergency Battery with Remote Test Switch | EMR |
| (Above ceiling access only, Not available with 2500L, SF trim or Chicago Plenum / National Plenum) | |
| TRIM ORDERING | LCS44 |
| Aperture | |
| 4.5" Square Aperture | LCS44 |
| Trim Type | SQ |
| Square | SQ |
| Optic | |
| Adjustable Accent | AA |
| (Solite lens standard) | |
| Downlight | DN |
| Downlight - Regress Clear Lens | CL |
| Downlight - Regress Solite Lens | SL |
| Color | |
| Clear Diffuse | CD |
| Warm Diffuse | WD |
| Flange Finish | |
| White | WH |
| Black | BK |
| Titanium Silver | TS |
| ACCESSORIES | |
| (One kit included per order as indicated in Distributor above. Order additional kits to change distribution in the field as needed.) | |
| Spot Kit | FLCS44-SPK |
| Narrow Flood Kit | FLCS44-NFLK |
| Flood Kit | FLCS44-FLK |
| Linear Spread Kit | FLCS44-LSK |

PERFORMANCE CHART - VARIABLE BEAM DOWNLIGHT AT 0°

| Lumen Output | Distribution | Delivered Lumens | System Watts | Beamspread | Center Beam Candlepower (CBCP) |
|--------------|--------------|------------------|--------------|------------|--------------------------------|
| 1000 Lumens | Spot | 1000 | 16 | 10° | 18,000 |
| | Narrow Flood | 850 | 16 | 25° | 4,500 |
| | Flood | 800 | 16 | 40° | 1,500 |
| 1500 Lumens | Spot | 1500 | 25 | 10° | 25,000 |
| | Narrow Flood | 1200 | 25 | 25° | 6,500 |
| | Flood | 1000 | 25 | 40° | 2,500 |
| 2000 Lumens | Spot | 2000 | 36 | 10° | 34,000 |
| | Narrow Flood | 1500 | 36 | 25° | 9,000 |
| | Flood | 1500 | 36 | 40° | 3,200 |
| 2500 Lumens | Spot | 2500 | 42 | 10° | 33,000 |
| | Narrow Flood | 2000 | 42 | 25° | 8,500 |
| | Flood | 1900 | 42 | 40° | 3,000 |

Lumen output may vary +/- 5%. 3500K & 4000K Color Temperature. 2700K & 3000K multiplier: 0.9344

PERFORMANCE CHART - ADJUSTABLE ACCENT AT 30°

| Lumen Output | Distribution | Delivered Lumens | System Watts | Beamspread | Center Beam Candlepower (CBCP) |
|--------------|--------------|------------------|--------------|------------|--------------------------------|
| 1000 Lumens | Spot | 750 | 16 | 10° | 9,000 |
| | Narrow Flood | 600 | 16 | 25° | 3,000 |
| | Flood | 500 | 16 | 40° | 1,000 |
| 1500 Lumens | Spot | 950 | 25 | 10° | 10,400 |
| | Narrow Flood | 800 | 25 | 25° | 3,500 |
| | Flood | 700 | 25 | 40° | 1000 |
| 2000 Lumens | Spot | 1,400 | 36 | 10° | 17,300 |
| | Narrow Flood | 1,100 | 36 | 25° | 5,700 |
| | Flood | 1,100 | 36 | 40° | 1,600 |
| 2500 Lumens | Spot | 1,800 | 42 | 10° | 18,000 |
| | Narrow Flood | 1,400 | 42 | 25° | 6,400 |
| | Flood | 1,200 | 42 | 40° | 2,500 |

Lumen output may vary +/- 5%. 3500K & 4000K Color Temperature. 2700K & 3000K multiplier: 0.9344 .