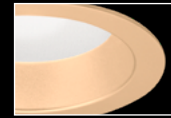


ID+ 3.5"

LED TITLE 24 (JA8) ADJUSTABLE



clear diffuse



warm diffuse



black painted



white painted

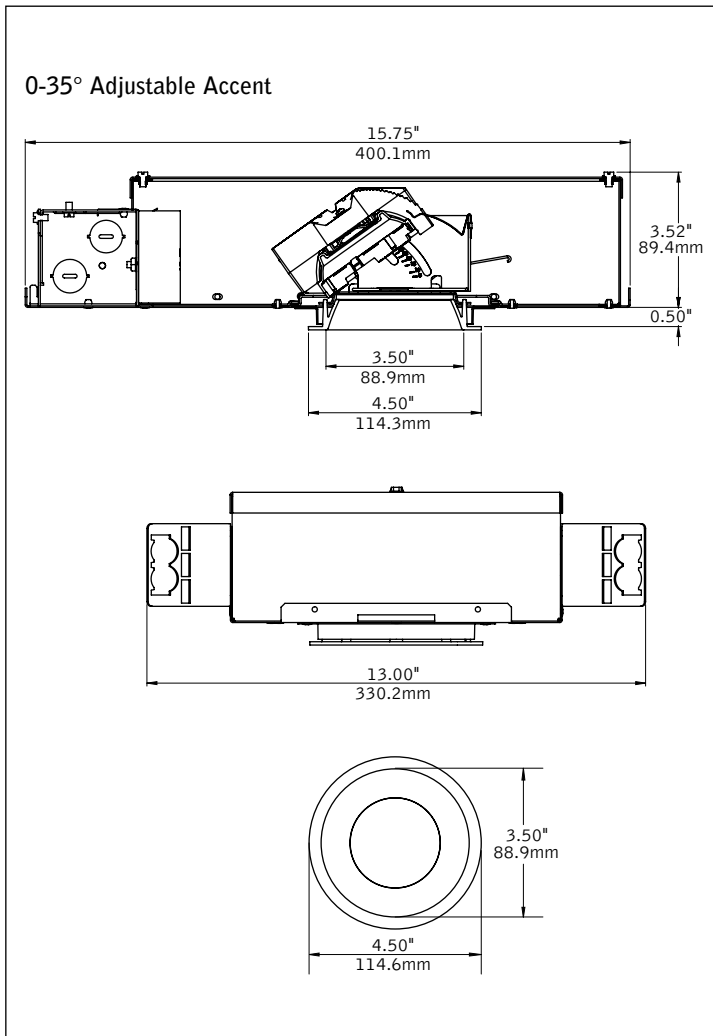


spot -open optic



trimless companion

DIMENSIONAL DATA



FEATURES

Small aperture LED adjustable accent with shallow housing meets Title 24 (JA8) requirements.

Tension locking mechanism for tool-less adjustability and precise aiming with 35° vertical tilt and 362° rotation.

Field changeable beam spread optics to accommodate post-installation design changes.

Selection of die-cast trims with Solite lens to complement any design.

Selection of dimming drivers available.

PERFORMANCE

Adjustable Accent at 0° Spot, 3500K

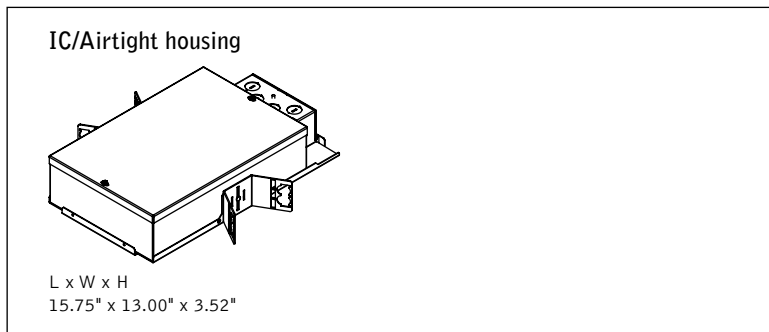
Watts	Lumen Output	CBCP
10	750	6526
13	900	7870

Photometric performance is measured in accordance with IESNA LM-79. Visit focalpointlights.com for complete photometric data.

fixture:

project:

HOUSING DETAILS



HOUSING SPECIFICATIONS

LED System

Proprietary LED module with single light emitting source. May be specified in 2700K, 3000K, 3500K or 4000K in CRI>90. Color accuracy within 2 SDCM. Aluminum heat sink provides appropriate thermal management.

Construction

Type IC inherently protected, suitable for direct contact with insulation. Restrictive airflow per ASTM-E283. Butterfly brackets allow mounting to 1/2 emt. Order bar hangers as an accessory. Die-cast aluminum heat sink designed for maximum thermal dissipation. Die-formed housing and integral junction box with (7) 1/2" pry outs. UL & cUL listed for (8) #12 AWG (4 in, 4 out) 90°C conductors and feed through-branch wiring. Accommodates ceiling thicknesses from 0.5" to 1" thickness. For thicker ceiling consult factory. Fixture will not exceed 5 lb.

Adjustment

35° vertical tilt and 362° rotation of light module.

Electrical

Choice of constant current dimming drivers. Power factor > .9 typical.

Labels

UL and cUL Listed. Suitable for Dry or Damp Locations, indoor use only. AA trim optic with Solite lens, Wet Location standard. Meets high efficacy standards of California Title 24 (JA8).

Lumen Maintenance

Reported: L70 at >55,000 hours Calculated: L70 at 420,000 hours
L90 at >55,000 hours L90 at 108,000 hours

Derived from EPA TM-21 calculator. Based on typical conditions, consult factory for additional data.

Reliability

At Focal Point, our products are designed to stand the test of time. Each luminaire is engineered using superior components, manufactured with the utmost care and rigorously tested. Contact us for reliability data.

Warranty

LED System rated for operation in ambient environments up to 25°C. 5-year limited warranty.

TRIM SPECIFICATIONS

Aesthetics

Reflector is Die-cast aluminum. Torsion springs pull trim tight to the ceiling with no visible fasteners within the trim. Trims are self-flanged.

Optics

Beam spreads achieved with optics that may be easily changed in field.

15° SPOT PERFORMANCE CHART

Lumen Output	System Watts	Lumens Per Watt (LPW)	Center Beam Candlepower (CBCP)
750	10	73	6526
900	13	69	7870

Tested with 3500K, 90CRI, Clear Diffuse Reflector. Lumen multipliers: WD = 0.9963, BK = 0.9726, WH = 1.0126. Lumen output may vary +/- 5%. Actual wattage may vary +/- 5%.

HOUSING ORDERING

Housing Series	FLCS3T4
ID+ 3.5" Round Title 24 (JA8) Housing	FLCS3T4
Trim Type	RO
Round Overlap	RO
Lumen Output	
750 Lumens	750L
900 Lumens	900L
Color Temperature	
2700K, 90 CRI	927K
3000K, 90 CRI	930K
3500K, 90 CRI	935K
4000K, 90 CRI	940K
Distribution	
15° Spot <small>(AAS trim optic only)</small>	SP
18° Spot with Solite Lens	SPA
25° Narrow Flood	NFL
40° Flood	FL
30° x 15° Linear Spread Lens	LS
Voltage	120V
120V	120
Control System & Dimming Level	
0-10V - 1% Dimming	L11
0-10V - 0% Dimming	LZ1
Forward Phase <small>(900L only)</small>	LFP
Housing Type	IC
IC Rated / Airtight	IC
Factory Options	
Bar Hangers	BH

TRIM ORDERING

Aperture	LCS3T4
3.5" Round Aperture	LCS3T4
Trim Type	RO
Round Overlap	RO
Optic	
Adjustable Accent <small>(Solite lens standard)</small>	AA
Adjustable Accent - 15° Spot <small>(Open optic, no wet location. SP distribution only)</small>	AAS
Reflector Color	
Clear Diffuse	CD
Warm Diffuse	WD
Black	BK
White	WH
Flange Finish	
<small>(Leave blank for matching reflector and flange finish. Available with CD & WD only.)</small>	
Black	BK
White	WH

ACCESSORIES

(One kit included per order as indicated in Distribution above. Order additional kits to change distribution in the field as needed.)

Spot Kit	FLCS3-SPAK
Narrow Flood Kit	FLCS3-NFLK
Flood Kit	FLCS3-FLK
Linear Spread Kit	FLCS3-LSK