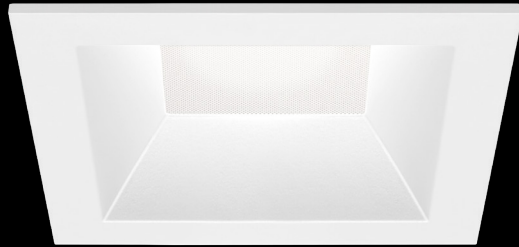


ID+ 3.5" x 3.5"

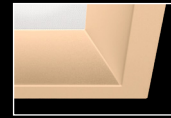
LED ADJUSTABLE



FOCAL POINT®



clear diffuse



warm diffuse



black



white

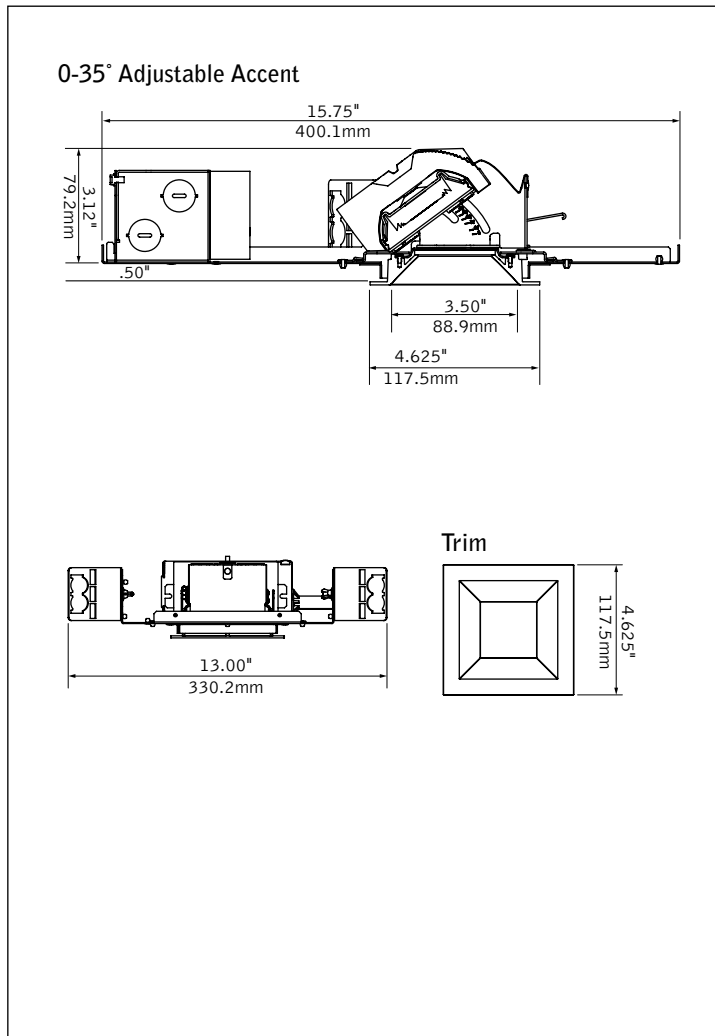


spot - open optic



trimless companion

DIMENSIONAL DATA



FEATURES

Small aperture LED adjustable accent with shallow housing for restricted plenum ceilings.

Tension locking mechanism for tool-less adjustability and precise aiming with 35° vertical tilt and 362° rotation.

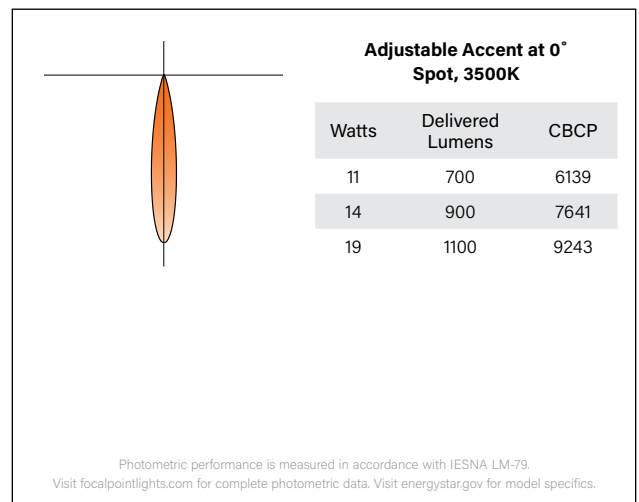
Field changeable beam spread optics to accommodate post-installation design changes.

Selection of die-cast trims with Solite lens to complement any design.

Built-in adjustment feature to ensure flawless alignment of installed trims.

PoE compatible: Integrates with Power over Ethernet lighting systems via standard, low-voltage wires.

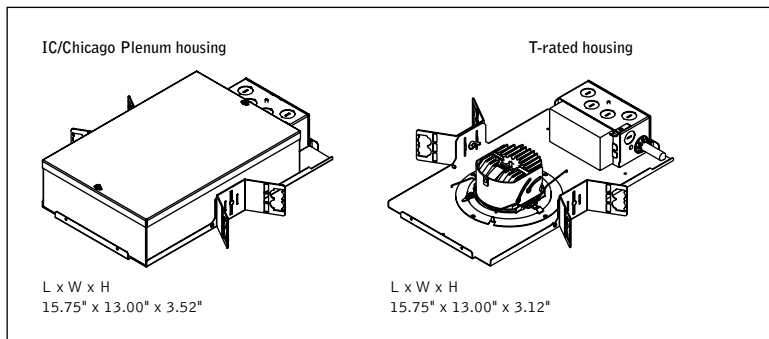
PERFORMANCE



fixture:

project:

HOUSING DETAILS



HOUSING SPECIFICATIONS

LED System

Proprietary LED module with single light emitting source. May be specified in 2700K, 3000K, 3500K or 4000K in CRI>80 or CRI>90. Color accuracy within 2 SDCM. Aluminum heat sink provides appropriate thermal management.

Construction

Thermally protected housing for new construction applications. Insulation to be kept 3" away from housing. Type IC inherently protected, suitable for direct contact with insulation. Restrictive airflow per ASTM-E283. Butterfly brackets allow mounting to 1/2 emt. Order bar hangers as an accessory. Die-cast aluminum heat sink designed for maximum thermal dissipation. Die-formed housing and integral junction box with (7) 1/2" pry outs. UL & cUL listed for (8) #12 AWG (4 in, 4 out) 90°C conductors and feed through-branch wiring. Accommodates ceiling thicknesses from 0.5" to 1" thickness. For thicker ceiling consult factory. Fixture will not exceed 5 lb.

Adjustment

35° vertical tilt and 362° rotation of light module.

Electrical

Choice of constant current dimming drivers. Power factor > .9 typical. PoE compatible: Integrates with Power over Ethernet lighting systems via standard, low-voltage wires.

Emergency

Bodine BSL17C-C2. Emergency output —7W for 90 minutes. Above ceiling access only. Maximum mounting height: 10.78ft.

Labels

UL and cUL Listed. Suitable for Dry or Damp Locations, indoor use only. AA trim optic with Solite lens, wet location standard.

Lumen Maintenance

Reported: L70 at >55,000 hours Calculated: L70 at 420,000 hours
 L90 at >55,000 hours L90 at 108,000 hours

Derived from EPA TM-21 calculator. Based on typical conditions, consult factory for additional data.

Reliability

At Focal Point, our products are designed to stand the test of time. Each luminaire is engineered using superior components, manufactured with the utmost care and rigorously tested. Contact us for reliability data.

Warranty

LED System rated for operation in ambient environments up to 25°C. 5-year limited warranty.

TRIM SPECIFICATIONS

Aesthetics

Reflector is Die-cast aluminum. Torsion springs pull trim tight to the ceiling with no visible fasteners within the trim. Trims are self-flanged.

Optics

Beam spreads achieved with optics that may be easily changed in field.

15° SPOT PERFORMANCE CHART

| Delivered Lumens | System Watts | Lumens per Watt (LPW) | Center Beam Candlepower (CBCP) |
|------------------|--------------|-----------------------|--------------------------------|
| 700 | 11 | 65 | 6139 |
| 900 | 14 | 66 | 7641 |
| 1100 | 19 | 56 | 9243 |

Tested with 3500K, 80CRI, Clear Diffuse Reflector. Lumen multipliers: 90CRI = 0.75, WD = 0.9963, BK = 0.9726, WH = 1.0126. Lumen output may vary +/- 5%. Actual wattage may vary +/- 5%.

HOUSING ORDERING

| | |
|---------------------------|---------------|
| Housing Series | FLCS33 |
| ID+ 3.5" Square Housing | FLCS33 |
| Trim Type | SO |
| Square Overlap | SO |
| Lumen Output | |
| 700 Lumens | 700L |
| 900 Lumens | 900L |
| 1100 Lumens | 1100L |
| Color Temperature | |
| 2700K, 80+ CRI or 90+ CRI | 27K or 927K |
| 3000K, 80+ CRI or 90+ CRI | 30K or 930K |
| 3500K, 80+ CRI or 90+ CRI | 35K or 935K |
| 4000K, 80+ CRI or 90+ CRI | 40K or 940K |

| | |
|--|-----|
| Distribution | |
| 15° Spot (AAS trim optic only) | SP |
| 18° Spot with Solite Lens | SPA |
| 25° Narrow Flood | NFL |
| 45° Flood | FL |
| 30° x 15° Linear Spread Lens | LS |
| Voltage | |
| 120V | 120 |
| 277V | 277 |
| Low Voltage | LV |
| Control System & Dimming Level | |
| 0-10V - 1% Dimming | L11 |
| 0-10V - 10% Dimming | LD1 |
| 0-10V - 0% Dimming | LZ1 |
| Low Voltage, PoE compatible (No driver. Not available with EMR, LV Voltage only) | LVN |
| Forward Phase (120V only, 700L & 900L only) | LFP |
| DALI - 1% Dimming | D11 |
| DALI - 0% Dimming | DZ1 |
| Lutron Hi-Lume EcoSystem (LDE1) - 1% Dimming | LH1 |

| | |
|--|----|
| Housing Type | |
| IC Rated / Airtight (700L & 900L only, 900L not available with Lutron) | IC |
| Thermally Protected, Non-IC (700 only with LVN) | T |

| | |
|--|-----|
| Factory Options | |
| Bar Hangers | BH |
| Chicago Plenum / National Plenum (Inverter required to achieve Emergency lighting) | CP |
| Emergency Battery with Remote Test Switch (Above ceiling access only, Not available with Chicago Plenum or IC) | EMR |

TRIM ORDERING

| | |
|--|--------------|
| Aperture | LCS33 |
| 3.5" Square Aperture | LCS33 |
| Trim Type | SO |
| Square Overlap | SO |
| Optic | |
| Adjustable Accent (Solite lens standard) | AA |
| Adjustable Accent - 15° Spot (Open optic, no wet location, SP distribution only) | AAS |

| | |
|--|----|
| Reflector Color | |
| Clear Diffuse | CD |
| Warm Diffuse | WD |
| Black | BK |
| White | WH |
| Flange Finish | |
| (Leave blank for matching reflector and flange finish. Available with CD & WD only.) | |
| Black | BK |
| White | WH |

ACCESSORIES

| | |
|---|-------------|
| (One kit included per order as indicated in Distribution above. Order additional kits to change distribution in the field as needed.) | |
| Spot Kit | FLCS33-SPAK |
| Narrow Flood Kit | FLCS33-NFLK |
| Flood Kit | FLCS33-FLK |
| Linear Spread Kit | FLCS33-LSK |