

ID+ 6" x 6"

LED DOWNLIGHT



FOCAL POINT®



white flange



black flange



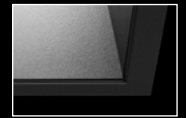
titanium silver flange



clear diffuse



warm diffuse

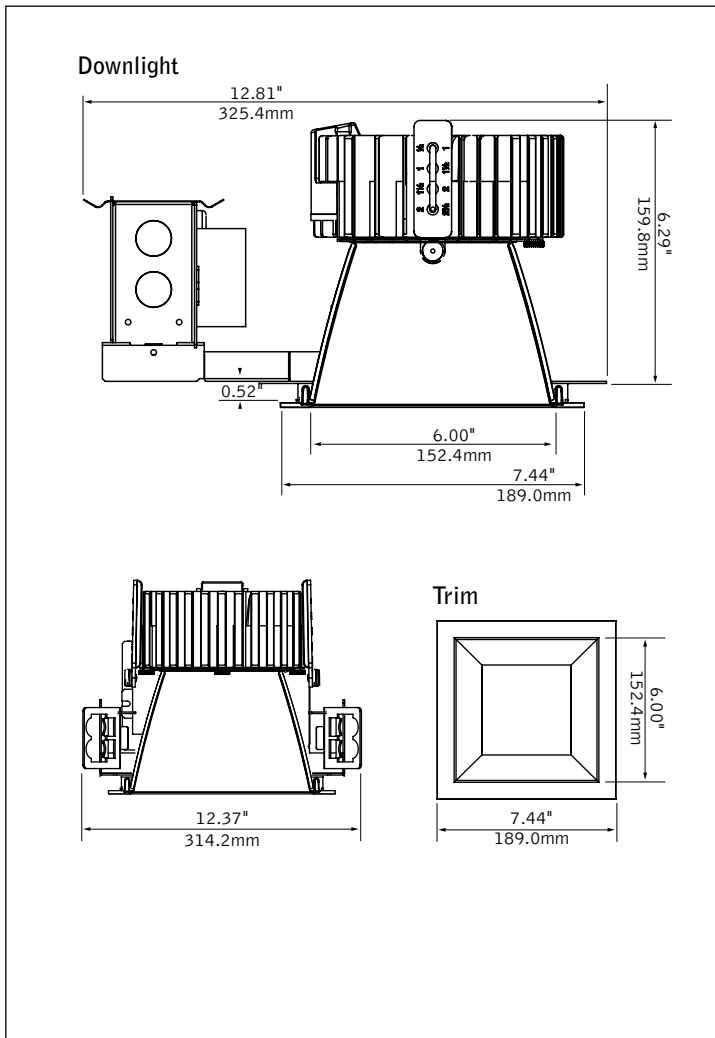


black reflector



white reflector

DIMENSIONAL DATA



FEATURES

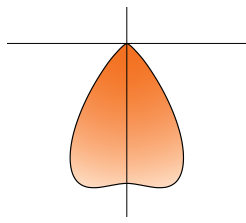
Field adjustability of ceiling thickness from 0.5" - 2.5".

50° cutoff to light source and its image.

Right Light: Standard delivered lumen outputs 1000, 1500, 2000, 2500 and 3000.

PoE compatible: Integrates with Power over Ethernet lighting systems via standard, low-voltage wires.

PERFORMANCE



PRODUCT OVERVIEW

Lumen Output: 1000-3000lm

Wattage: 12-41W

LPW: 73-84

Spacing Criterion: 1.14-1.16


SDCM: 2

Lumen Maintenance: L70 @ 63,000hrs

Clear Diffuse Reflector
3500k, 2000 Lumens

Delivered Lumens: 2000lm

Total System Watts: 24W

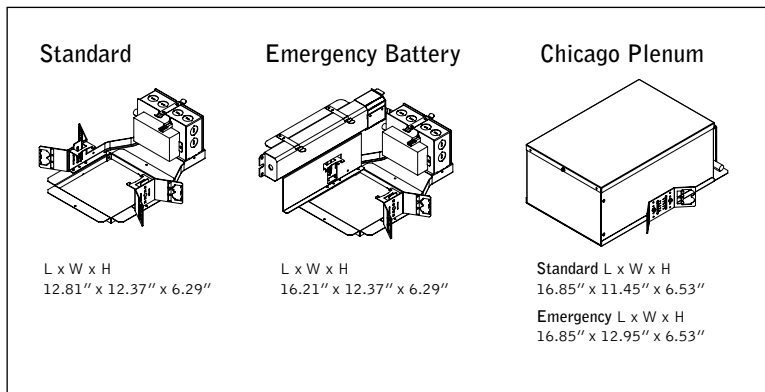


Photometric performance is measured in accordance with IESNA LM-79. Visit focalpointlights.com for complete photometric data. Visit energystar.gov for model specifics.

fixture:

project:

HOUSING DETAILS



HOUSING SPECIFICATIONS

Construction

Thermally protected housing for new construction applications. Insulation to be kept 3" away from housing. Butterfly brackets allow mounting to 1/2" emt. Order bar hangers as an accessory. Die-cast aluminum heat sink designed for maximum thermal dissipation. Die-formed housing and integral junction box with (7) 1/2" pry outs. UL & cUL listed for (6) #14 AWG (3 in, 3 out) 90°C conductors and feed through-branch wiring. Accommodates ceiling thicknesses up to 0.5" standard, field adjustable up to 2.5" thickness. For thicker ceiling consult factory. Fixture will not exceed 5 lb.

Electrical

Choice of constant current dimming drivers. Power factor > .9 typical. PoE compatible: Integrates with Power over Ethernet lighting systems via standard, low-voltage wires.

Emergency

Emergency Battery Pack: Bodine BSL17C-C2. Emergency output —7W for 90 minutes. Maximum mounting height: 23.3ft. (Black reflector color: 18.1ft.)

Labels

UL and cUL Listed. Suitable for Dry or Damp Locations, indoor use only. Specify wet listed (WL) for recessed ceiling applications in indoor and outdoor locations. Lutron Drivers not recommended for outdoor environments below 0°C.

Lumen Maintenance

Reported: L70 at >63,000 hours. Derived from EPA TM-21 calculator

Reliability

At Focal Point, our products are designed to stand the test of time. Each luminaire is engineered using superior components, manufactured with the utmost care and rigorously tested. Contact us for reliability data.

Warranty

LED System rated for operation in ambient environments up to 25°C. 5-year limited warranty.

TRIM & LED SPECIFICATIONS

LED System

Proprietary array incorporates premium LEDs on a robust platform. May be specified in 2700K, 3000K, 3500K or 4000K, 80+ CRI or 90+ CRI. Color accuracy within 2 SDCM. Aluminum heat sink provides appropriate thermal management.

Aesthetics

Die-formed aluminum reflector ensures glare free optics. Reflector attaches to die-cast, seamless flange and may be removed for field painting. Torsion springs pull trim tight to the ceiling with no visible fasteners within the trim.

Optics

50-degree cut-off to light source and its image.

PERFORMANCE CHART

Delivered Lumens	System Watts	LPW
1000	12	82
1500	19	80
2000	24	84
2500	34	74
3000	41	73

Based on 3000/3500K, 80 CRI. Clear Diffuse reflector cone. 90 CRI lumen multiplier: 2700K = 0.71, 3000/3500K = 0.83, 4000K = 0.89. Black multiplier: 0.56. White multiplier: 1.13. Lumen output may vary +/- 5%. Actual wattage may vary +/- 5%.

Focal Point LLC reserves the right to change specifications for product improvement without notification.

HOUSING ORDERING

Housing Series	FLC66D
ID+ 6" Square Downlight	FLC66D
Trim Type	
Square Flush	SF
Square Overlap	SO
Lumen Output	
1000 Lumens	1000L
1500 Lumens	1500L
2000 Lumens	2000L
2500 Lumens	2500L
3000 Lumens	3000L
Voltage	
120V	120
277V*	277
Low Voltage	LV
Driver	
0-10V - 1% Dimming	L11
0-10V - 10% Dimming	LD1
Low Voltage, PoE compatible	LVN
<small>(No driver. 2000 Lumen max with CP option, 1000 Lumen max non-CP. Not available with EM. LV Voltage only.)</small>	
Lutron Hi-Lume EcoSystem (LDE1) - 1% Dimming	LH1
Lutron 5-Series EcoSystem (LDE5) - 5% Dimming	LU5
<small>(Available with 2500L only)</small>	
DALI - 1% Dimming	D11
DMX - 3-Channel, 0% Dimming	MZ3
Housing Type	T
Thermally Protected, Non-IC	T
Factory Options	
Bar Hangers	BH
Chicago Plenum / National Plenum	CP
Emergency Battery	EM
<small>(Must order LC66EM trim)</small>	
TRIM & LED MODULE	
Aperture	
6" Square Reflector	LC66
6" Square Reflector - Emergency	LC66EM
<small>(Required for "EM" option)</small>	
Trim Type	SQ
Square	SQ
Lumen Output	
<small>(Trim & Housing output must match)</small>	
1000 Lumens	1000L
1500 Lumens	1500L
2000 Lumens	2000L
2500 Lumens	2500L
3000 Lumens	3000L
Color Temperature	
2700K, 80+ CRI or 90+ CRI	27K or 927K
3000K, 80+ CRI or 90+ CRI	30K or 930K
3500K, 80+ CRI or 90+ CRI	35K or 935K
4000K, 80+ CRI or 90+ CRI	40K or 940K
Optic	DN
Downlight	DN
Color	
Clear Diffuse	CD
Warm Diffuse	WD
Black	BK
White	WH
Flange Finish	
Black	BK
White	WH
Titanium Silver	TS
Aluminum Raw	AL
Factory Options	
Wet Listed	WL
<small>(Not available with 90CRI)</small>	

A complete unit consists of two line items, housing and trim
Example: FLC66D-SO-1500L-120-LD1-T | LC66-SQ-1500L-35K-DN-CD-WH

*1500 and 2000 lumen outputs add 2 watts to system wattage.
For more information visit focalpointlights.com/reference or consult factory.