

ID+ 4.5" Trimless

LED WALL WASH



clear diffuse



warm diffuse



white

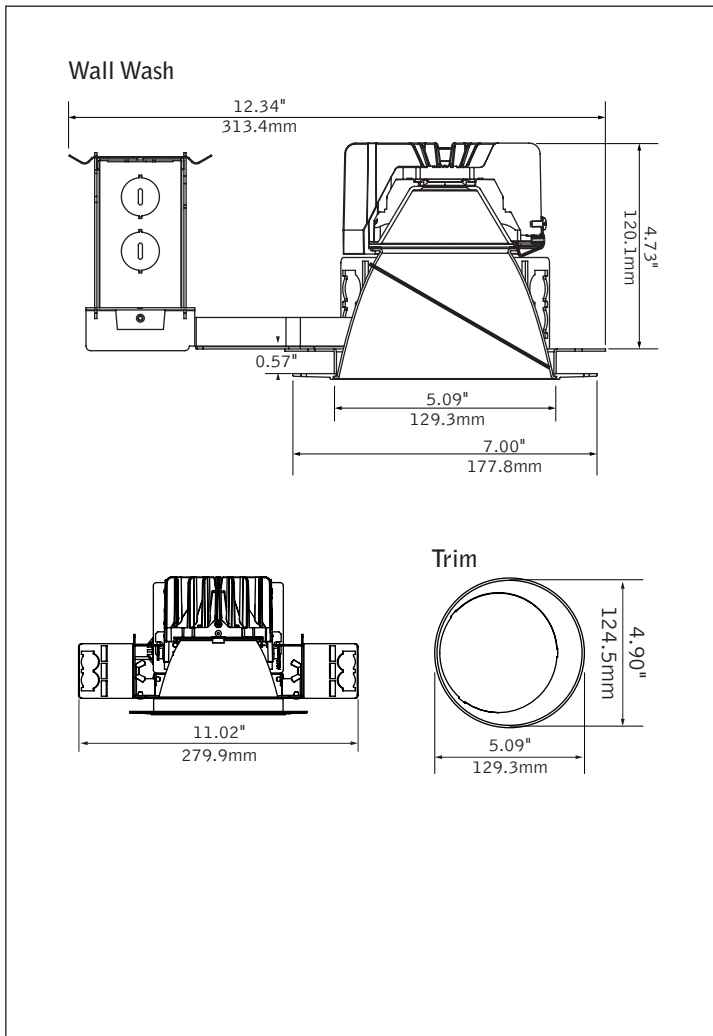


black



overlap companion

DIMENSIONAL DATA



FEATURES

Field adjustability of ceiling thickness from 0.5" to 3.0".

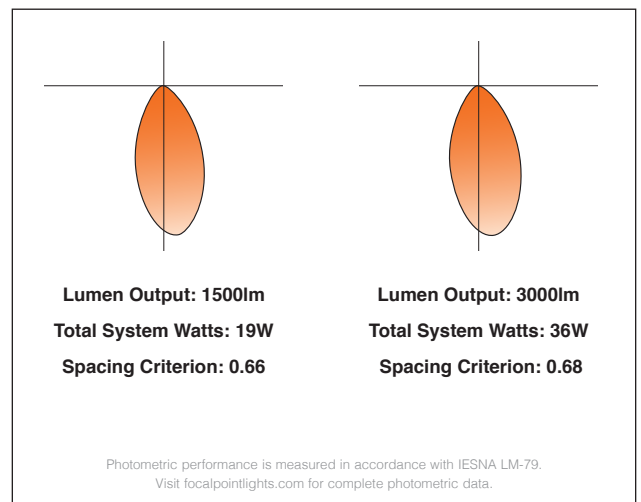
50° cutoff to light source and its image.

Right Light: Standard delivered lumen outputs 1000, 1500, 2000, 2500, and 3000.

Warm Dim: Lighting that enhances spaces with a warm glow, reminiscent of incandescent or halogen light sources.

PoE compatible: Integrates with Power over Ethernet lighting systems via standard, low-voltage wires.

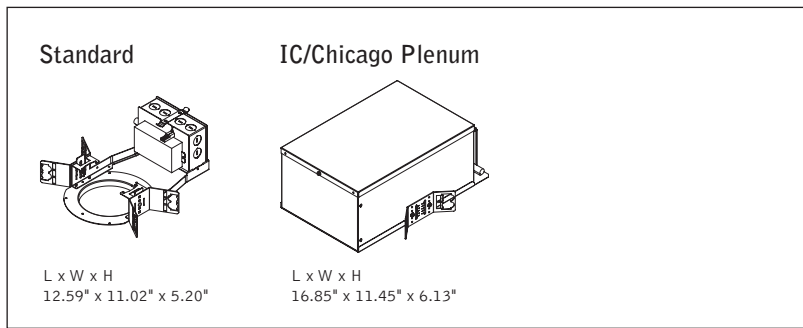
PERFORMANCE



fixture:

project:

HOUSING DETAILS



HOUSING SPECIFICATIONS

Construction

Thermally protected housing for new construction applications. Insulation to be kept 3" away from housing. Type IC inherently protected, suitable for direct contact with insulation. Butterfly brackets allow mounting to 1/2" emt. Order bar hangers as an accessory. Die-cast aluminum heat sink designed for maximum thermal dissipation. Die-formed housing and integral junction box with (7) 1/2" pry-outs. T-rated: UL & cUL Listed for (6) #14 AWG (3 in, 3 out) 90°C conductors and feed through-branch wiring. IC/CP housing: UL & cUL Listed for (8) #12 AWG (4 in, 4 out) 90°C conductors and feed through-branch wiring for IC/CP housing. Accommodates ceiling thicknesses up to 0.5" standard, field adjustable up to 3.0" thickness. For thicker ceiling consult factory. Order TZB option for TechZone compatible housing brackets. T-rated housing will not exceed 6lb, IC/CP housing will not exceed 12lb.

Electrical

Choice of constant current dimming drivers. Power factor > .9 typical. PoE compatible: Integrates with Power over Ethernet lighting systems via standard, low-voltage wires.

Labels

UL and cUL Listed. Suitable for Dry, Damp or Wet Locations, indoor use only. Specify Outdoor rated (OD) for outdoor recessed ceiling applications.

Lumen Maintenance

Reported: L70 at >55,000 hours Calculated: L70 at 204,000 hours
L90 at >55,000 hours L90 at 59,000 hours

Derived from EPA TM-21 calculator. Based on typical conditions, consult factory for additional data.

Reliability

At Focal Point, our products are designed to stand the test of time. Each luminaire is engineered using superior components, manufactured with the utmost care and rigorously tested. Contact us for reliability data.

Warranty

LED System rated for operation in ambient environments up to 25°C. 5-year limited warranty. Fixture with Outdoor rated option must be installed in a covered ceiling and is warranted for operation in ambient environments between -20°C to +40°C.

TRIM & LED SPECIFICATIONS

LED System

Proprietary array incorporates premium LEDs on a robust platform. May be specified in 2700K, 3000K, 3500K or 4000K, 80+ CRI or 90+ CRI. 3500K and 4000K with CRI>90 have a cyanosis observation index (COI) of 3.3 or less. Color accuracy within 2 SDCM. Aluminum heat sink provides appropriate thermal management.

Aesthetics

Parabolic reflector cone ensures glare free optics. Reflector is .050" spun aluminum. Torsion springs pull trim tight to the ceiling with no visible fasteners.

Optics

50-degree cut-off to light source and its image. Wall wash features acrylic diffuser to provide smooth illumination down the wall.

PERFORMANCE CHART

Lumen Output	Delivered Lumens	System Watts	LPW
1000L	978	11	86
1500L	1471	19	77
1500L	1360	25	54
2000L	1954	26	76
2000L	1914	37	52
2500L	2384	32	74
3000L	2860	36	79

Based on 3500K, 80 CRI. White. WDM base on 3000 - 1800K, 90 CRI. Lumen output may vary +/- 5%. Actual wattage may vary +/- 5%.

Focal Point LLC reserves the right to change specifications for product improvement without notification.

HOUSING ORDERING

Housing Series

ID+ 4.5" Round Wall Wash **FLC4W**

Trim Type

Round Trimless **RT**

Color Options

Standard White, 80 & 90 CRI **SW**

Warm Dim **WDM**

(1500 & 2000 lumens only. UNV not available.)

Lumen Output

1000 Lumens **1000L**

1500 Lumens **1500L**

2000 Lumens **2000L**

2500 Lumens **2500L**

3000 Lumens **3000L**

(Not available with LTE or LFP)

Voltage

UNV 120V/277V **UNV**

(IC housing only. Not available with LFP or LTE.)

120V **120**

277V **277**

Low Voltage

LV

(IC housing; 2000L max. T & TW housings: 1000L only.)

Control System & Dimming Level

0-10V - 0% Dimming **LZ1**

0-10V - 1% Dimming **L11**

0-10V - 10% Dimming **LD1**

Low Voltage, PoE compatible **LVN**

(No driver. LV Voltage only.)

Forward Phase **LFP**

(120V only)

Lutron Hi-Lume EcoSystem (LDE1) -

1% Dimming **LH1**

Lutron 5-Series EcoSystem (LDE5) -

5% Dimming **LU5**

Lutron Hi-Lume - Forward Phase -

1% Dimming **LTE**

(120V only)

DALI - 0% Dimming **DZ1**

DALI - 1% Dimming **D11**

Housing Type

IC Rated / Airtight **IC**

(L11, LD1, LVN, LH1, LU5 2000L max. LZ1, D11, DZ1, LFP

1500L max. LTE 1000L only. LC4AT required for Airtight.)

Thermally Protected, Non-IC **T**

Thermally Protected, Non-IC Wood **TW**

(Wood ceiling installation kit required)

Factory Options

Bar Hangers **BH**

Chicago Plenum / National Plenum **CP**

Outdoor Rated **OD**

(LD1 driver only. IC housing 1500L max.

Consult factory for dimming range.)

TRIM & LED MODULE

Aperture

4.5" Round Reflector **LC4**

4.5" Round Reflector - Airtight **LC4AT**

(IC housing required for Airtight rating)

Trim Type

Round Trimless **RT**

Lumen Output

(Trim & Housing output must match)

1000 Lumens **1000L**

1500 Lumens **1500L**

2000 Lumens **2000L**

2500 Lumens **2500L**

3000 Lumens **3000L**

Color Temperature

2700K, 80+ CRI or 90+ CRI **27K or 927K**

3000K, 80+ CRI or 90+ CRI **30K or 930K**

3500K, 80+ CRI or 90+ CRI **35K or 935K**

4000K, 80+ CRI or 90+ CRI **40K or 940K**

Warm Dim: 2700-1800K, 90+ CRI **92718W**

(1500 & 2000 lumens only)

Warm Dim: 3000-1800K, 90+ CRI **93018W**

(1500 & 2000 lumens only)

Optic

Wall Wash **WW**

Color

Clear Diffuse **CD**

Warm Diffuse **WD**

Black **BK**

White **WH**

ACCESSORIES

Wood Ceiling Installation Kit **LC4-WOOD-KIT**

(One kit recommended per 10 downlights)



Options in orange qualify for the Quickship program. 5-day up to 100 pieces. Refer to Quickship Guide for complete details.