

ID+ 4.5" x 4.5"

LED WALL WASH



clear diffuse



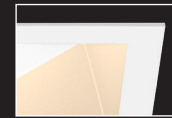
warm diffuse



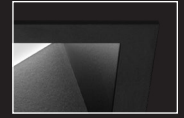
white



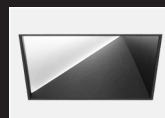
clear diffuse & white flange



warm diffuse & white flange

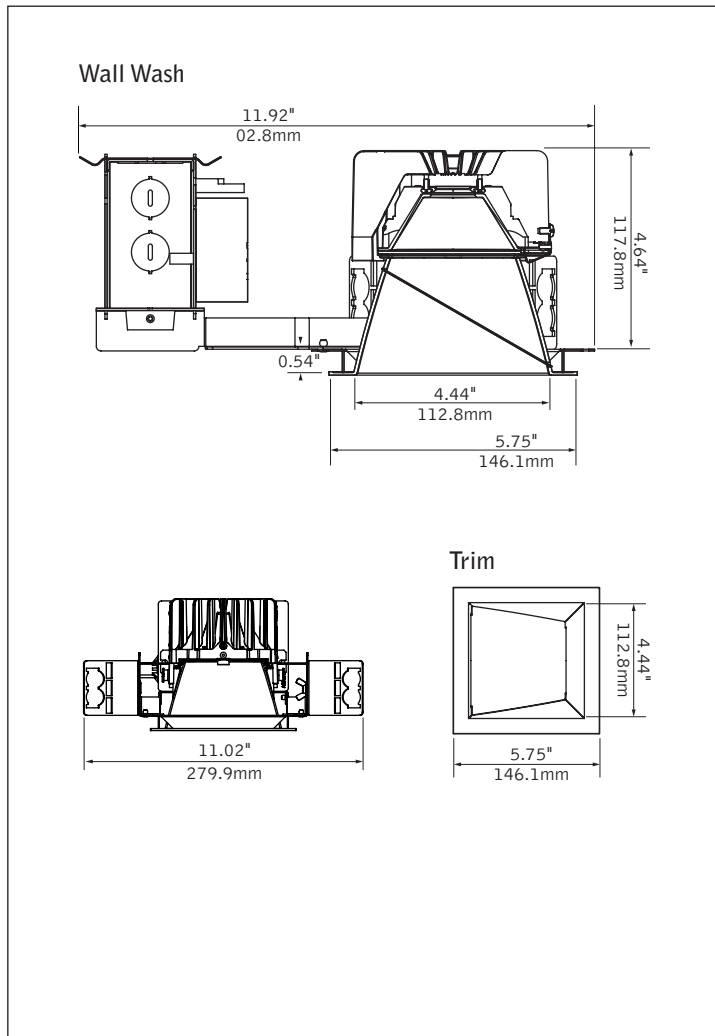


black



trimless companion

DIMENSIONAL DATA



FEATURES

Field adjustability of ceiling thickness from 0.5" to 3.0".

50° cutoff to light source and its image.

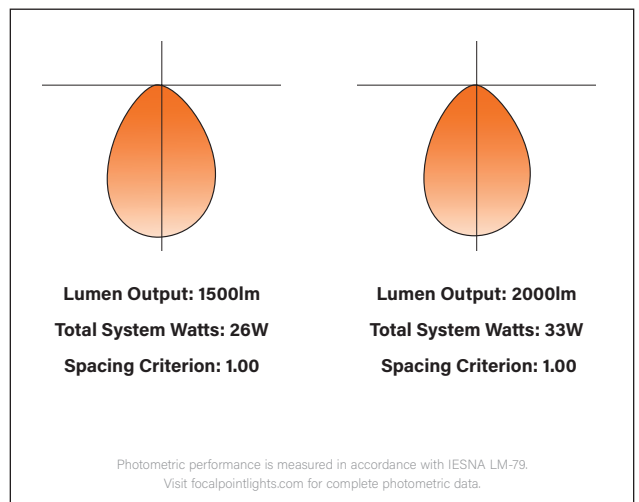
Right Light: Standard delivered lumen outputs 1000, 1500, and 2000.

Warm Dim: Lighting that enhances spaces with a warm glow, reminiscent of incandescent or halogen light sources.

PoE compatible: Integrates with Power over Ethernet lighting systems via standard, low-voltage wires.

Compatible with common pre-engineered grid ceiling systems requiring luminaires fitting into a 6" slot.

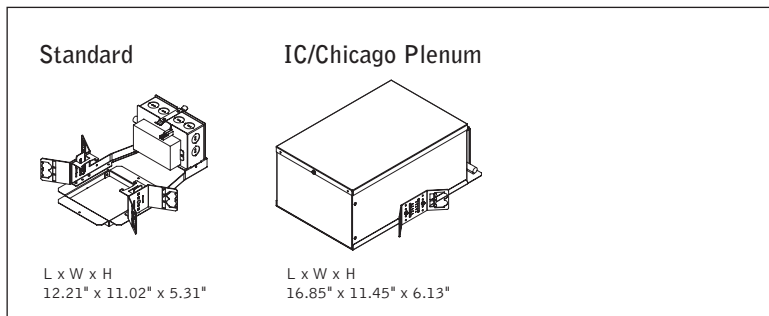
PERFORMANCE



fixture:

project:

HOUSING DETAILS



HOUSING SPECIFICATIONS

Construction

Thermally protected housing for new construction applications. Insulation to be kept 3" away from housing. Type IC inherently protected, suitable for direct contact with insulation. Butterfly brackets allow mounting to 1/2" emt. Order bar hangers as an accessory. Die-cast aluminum heat sink designed for maximum thermal dissipation. Die-formed housing and integral junction box with (7) 1/2" pry-outs. T-rated: UL & cUL Listed for (6) #14 AWG (3 in, 3 out) 90°C conductors and feed through-branch wiring. IC/CP housing: UL & cUL Listed for (8) #12 AWG (4 in, 4 out) 90°C conductors and feed through-branch wiring for IC/CP housing. Accommodates ceiling thicknesses up to 0.5" standard, field adjustable up to 3.0" thickness. For thicker ceiling consult factory. Order TZB option for TechZone compatible housing brackets. T-rated housing will not exceed 6lb, IC/CP housing will not exceed 12lb.

Electrical

Choice of constant current dimming drivers. Power factor > .9 typical. PoE compatible: Integrates with Power over Ethernet lighting systems via standard, low-voltage wires.

Labels

UL and cUL Listed. Suitable for Dry, Damp or Wet Locations, indoor use only. Specify Outdoor rated (OD) for outdoor recessed ceiling applications.

Lumen Maintenance

Reported: L70 at >55,000 hours Calculated: L70 at 204,000 hours
L90 at >55,000 hours L90 at 59,000 hours

Derived from EPA TM-21 calculator. Based on typical conditions, consult factory for additional data.

Reliability

At Focal Point, our products are designed to stand the test of time. Each luminaire is engineered using superior components, manufactured with the utmost care and rigorously tested. Contact us for reliability data.

Warranty

LED System rated for operation in ambient environments up to 25°C. 5-year limited warranty. Fixture with Outdoor rated option must be installed in a covered ceiling and is warranted for operation in ambient environments between -20°C to +40°C.

TRIM & LED SPECIFICATIONS

LED System

Proprietary array incorporates premium LEDs on a robust platform. May be specified in 2700K, 3000K, 3500K or 4000K, 80+ CRI or 90+ CRI. 3500K and 4000K with CRI>90 have a cyanosis observation index (COI) of 3.3 or less. Color accuracy within 2 SDCM. Aluminum heat sink provides appropriate thermal management.

Aesthetics

Torsion springs pull single molded die-cast trim right to the ceiling with no visible fasteners within the trim.

Optics

50-degree cut-off to light source and its image. Wall wash features acrylic diffuser to provide smooth illumination down the wall.

PERFORMANCE CHART

Lumen Output	Delivered Lumens	System Watts	LPW
1000L	1000	17	59
1000L	1096	25	43
1500L	1505	26	57
1500L	1549	37	42
2000L	2004	33	60
2000L	1740	39	45

Based on 3500K, 80 CRI. White. WDM base on 3000 - 1800K, 90 CRI, 2000lm based on 2700k - 1800l, 90CRI. Lumen output may vary +/- 5%. Actual wattage may vary +/- 5%.

HOUSING ORDERING

Housing Series

ID+ 4.5" Square Wall Wash **FLC44W**

Trim Type

Square Overlap **SO**

Color Options

Standard White, 80 & 90 CRI **SW**

Warm Dim **WDM**

(1000 & 1500 lumens only for 3000-1800K. 1500 & 2000 lumens only for 2700-1800K. UNV not available.)

Lumen Output

1000 Lumens **1000L**

1500 Lumens **1500L**

2000 Lumens **2000L**

(Not available with LTE or LFP)

Voltage

UNV 120V/277V **UNV**

(IC housing only. Not available with LFP or LTE.)

120V **120**

277V **277**

Low Voltage **LV**

(IC housing; 1500L max. T housing not available.)

Control System & Dimming Level

0-10V - 0% Dimming **LZ1**

0-10V - 1% Dimming **L11**

0-10V - 10% Dimming **LD1**

Low Voltage, PoE compatible **LVN**

(No driver. IC housing only. LV Voltage only.)

Forward Phase **LFP**

(120V only)

Lutron Hi-Lume EcoSystem (LDE1) -

1% Dimming **LH1**

Lutron Hi-Lume - Forward Phase -

1% Dimming **LTE**

(120V only)

DALI - 0% Dimming **DZ1**

DALI - 1% Dimming **D11**

Housing Type

IC Rated / Airtight **IC**

(L11, LVN, LD1, LH1 1500L max. LZ1, D11, DZ1, LFP, 1000L max. LTE not available. LC44AT required for Airtight)

Thermally Protected **T**

Factory Options

Bar Hangers **BH**

Chicago Plenum / National Plenum **CP**

Outdoor Rated **OD**

(LD1 driver only. IC housing 1000L max. Consult factory for dimming range.)

Bracket for 6" slot pre-engineered ceiling **TZB**

TRIM & LED MODULE

Aperture

4.5" Square Reflector **LC44**

4.5" Square Reflector - Airtight **LC44AT**

(IC housing required for Airtight rating)

Trim Type

Square Die-Cast Overlap **SDO**

Lumen Output

(Trim & Housing output must match)

1000 Lumens **1000L**

1500 Lumens **1500L**

2000 Lumens **2000L**

Color Temperature

2700K, 80+ CRI or 90+ CRI **27K or 927K**

3000K, 80+ CRI or 90+ CRI **30K or 930K**

3500K, 80+ CRI or 90+ CRI **35K or 935K**

4000K, 80+ CRI or 90+ CRI **40K or 940K**

Warm Dim: 2700-1800K, 90+ CRI **92718W**

(1500 & 2000 lumens only)

Warm Dim: 3000-1800K, 90+ CRI **93018W**

(1000 & 1500 lumens only)

Optic

Wall Wash **WW**

Color

Clear Diffuse **CD**

Warm Diffuse **WD**

Black **BK**

(Black Flange Finish only)

White **WH**

(White Flange Finish only)

Flange Finish

Non-Painted, matches reflector color **NP**

(Clear and warm diffuse only)

Black Painted **BP**

White Painted **WP**

FLC44W

SO

SW

WDM

1000L

1500L

2000L

UNV

120

277

LV

LZ1

L11

LD1

LVN

LFP

LH1

LTE

DZ1

D11

IC

T

BH

CP

OD

TZB

LC44

LC44AT

SDO

1000L

1500L

2000L

27K or 927K

30K or 930K

35K or 935K

40K or 940K

92718W

93018W

WW

CD

WD

BK

WH

NP

BP

WP



Options in red and orange qualify for 2-day and 5-day Quickship respectively, up to 100 pieces. If red and orange options make an ordering string, 5-day Quickship applies. See Quickship Guide for more details.