

ID+ 4.5" x 4.5" Trimless

LED DOWNLIGHT



FOCAL POINT®



solite lens option



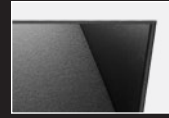
clear diffuse



warm diffuse



white

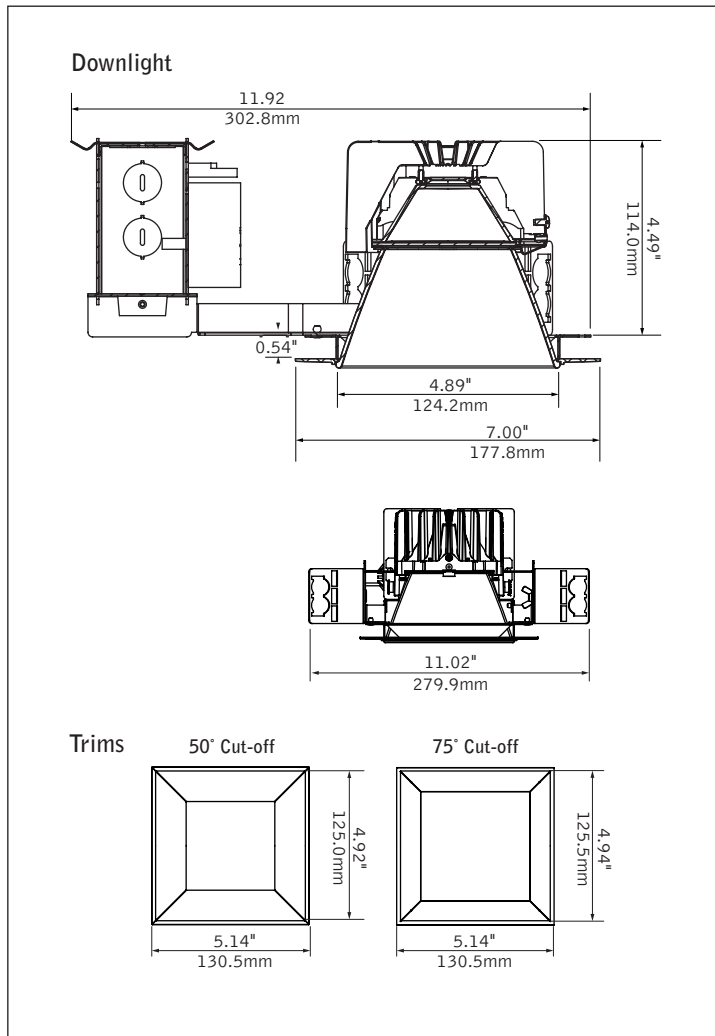


black



overlap companion

DIMENSIONAL DATA



FEATURES

Field adjustability of ceiling thickness from 0.5" to 3.0".

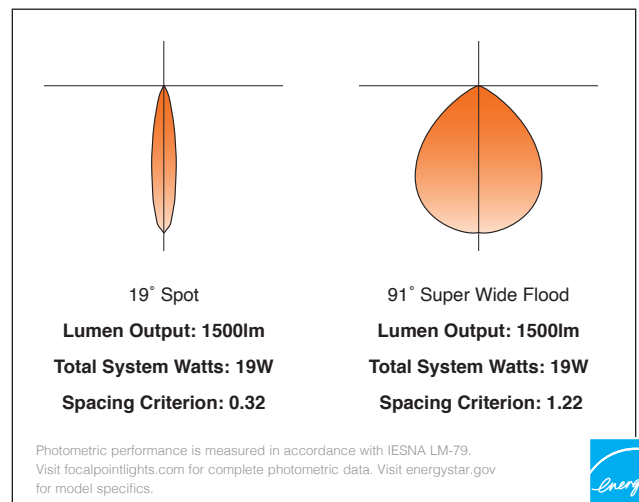
50° or 75° cutoff to light source and its image.

Right Light: Standard delivered lumen outputs 1000, 1500, 2000, 2500, and 3000.

Warm Dim: Lighting that enhances spaces with a warm glow, reminiscent of incandescent or halogen light sources.

PoE compatible: Integrates with Power over Ethernet lighting systems via standard, low-voltage wires.

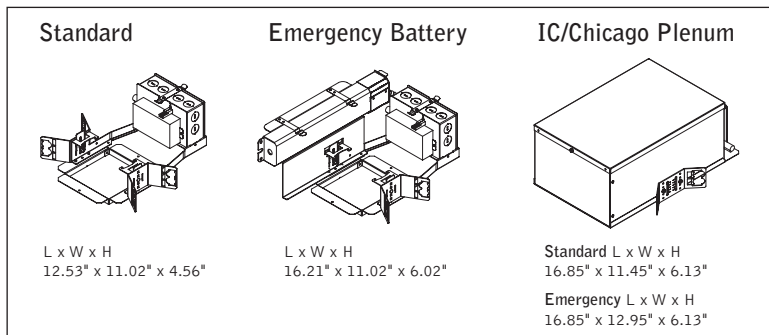
PERFORMANCE



fixture:

project:

HOUSING DETAILS



HOUSING SPECIFICATIONS

Construction

Thermally protected housing for new construction applications. Insulation to be kept 3" away from housing. Type IC inherently protected, suitable for direct contact with insulation. Butterfly brackets allow mounting to 1/2" emt. Order bar hangers as an accessory. Die-cast aluminum heat sink designed for maximum thermal dissipation. Die-formed housing and integral junction box with (7) 1/2" pry-outs. T-rated: UL & cUL Listed for (6) #14 AWG (3 in, 3 out) 90°C conductors and feed through-branch wiring. IC/CP housing: UL & cUL Listed for (8) #12 AWG (4 in, 4 out) 90°C conductors and feed through-branch wiring for IC/CP housing. Accommodates ceiling thicknesses up to 0.5" standard, field adjustable up to 3.0" thickness. For thicker ceiling consult factory. Order TZB option for TechZone compatible housing brackets. T-rated housing will not exceed 6lb, IC/CP housing will not exceed 12lb.

Electrical

Choice of constant current dimming drivers. Power factor > .9 typical. PoE compatible: Integrates with Power over Ethernet lighting systems via standard, low-voltage wires.

Emergency

Emergency Battery Pack: Bodine BSL17C-C2. Emergency output —7W for 90 minutes. Maximum mounting height: 25.8ft. (Black reflector: 18.0ft.) Not wet location or outdoor rated.

Labels

UL and cUL Listed. Suitable for Dry, Damp or Wet Locations, indoor use only. Specify Outdoor rated (OD) for outdoor recessed ceiling applications.

Lumen Maintenance

Reported: L70 at >55,000 hours Calculated: L70 at 204,000 hours
 L90 at >55,000 hours L90 at 59,000 hours
 Derived from EPA TM-21 calculator. Based on typical conditions, consult factory for additional data.

Reliability

At Focal Point, our products are designed to stand the test of time. Each luminaire is engineered using superior components, manufactured with the utmost care and rigorously tested. Contact us for reliability data.

Warranty

LED System rated for operation in ambient environments up to 25°C. 5-year limited warranty. Fixture with Outdoor rated option must be installed in a covered ceiling and is warranted for operation in ambient environments between -20°C to +40°C.

TRIM & LED SPECIFICATIONS

LED System

Proprietary array incorporates premium LEDs on a robust platform. May be specified in 2700K, 3000K, 3500K or 4000K, 80+ CRI or 90+ CRI. 3500K and 4000K with CRI>90 have a cyanosis observation index (COI) of 3.3 or less. Color accuracy within 2 SDCM. Aluminum heat sink provides appropriate thermal management.

Aesthetics

Torsion springs pull single molded die-cast trim right to the ceiling with no visible fasteners within the trim.

Optics

50-degree or 75-degree cut-off to light source and its image.

Optic	Cut-Off Degree	Lumen Output	Distribution Beam Spread Spacing Criteria						
			SP	NFL	FL1	FL2	WFL	VWFL	SWFL
DN	50°	1000-2500	19° .32	23° .40	34° .56	46° .74	57° .92	68° 1.02	-
		3000	-	25° .44	39° .64	48° .76	57° .92	68° 1.02	-
DSS	75°	1000-2500	-	-	-	-	-	70° 1.03	91° 1.22
		3000	-	-	-	-	-	71° 1.02	91° 1.22

PERFORMANCE CHART* - see page 3.

Focal Point LLC reserves the right to change specifications for product improvement without notification.



HOUSING ORDERING

Housing Series	FLC44D
ID+ 4.5" Square Downlight	FLC44D
Trim Type	ST
Square Trimless	ST
Color Options	
Standard White, 80 & 90 CRI	SW
Warm Dim	WDM
<small>(1500 & 2000 lumens only. UNV & EM not available.)</small>	
Lumen Output	
1000 Lumens	1000L
1500 Lumens	1500L
2000 Lumens	2000L
2500 Lumens	2500L
3000 Lumens	3000L
<small>(Not available with SP distribution, LFP or LTE.)</small>	
Voltage	
UNV 120V/277V	UNV
<small>(IC housing only. Not available with LFP or LTE.)</small>	
120V	120
277V	277
Low Voltage	LV
<small>(IC housing: 2000L max. T & TW housings: 1000L only.)</small>	
Control System & Dimming Level	
0-10V - 0% Dimming	LZ1
0-10V - 1% Dimming	L11
0-10V - 10% Dimming	LD1
Low Voltage, PoE compatible	LVN
<small>(No driver. Not available with EM. LV Voltage only.)</small>	
Forward Phase (120V only)	LFP
Lutron Hi-Lume EcoSystem (LDE1) - 1% Dimming	LH1
Lutron 5-Series EcoSystem (LDE5) - 5% Dimming	LU5
Lutron Hi-Lume - Forward Phase - 1% Dimming (120V only)	LTE
DALI - 0% Dimming	DZ1
DALI - 1% Dimming	D11
Housing Type	
IC Rated / Airtight	IC
<small>(L11, LD1, LVN, LH1, LU5 2000L max. LZ1, D11, DZ1, LFP 1500L max. LTE 1000L only. LC44AT required for Airtight. Not available with EM.)</small>	
Thermally Protected, Non-IC	T
Thermally Protected, Non-IC Wood	TW
<small>(Wood ceiling installation kit required)</small>	
Factory Options	
Bar Hangers	BH
Chicago Plenum / National Plenum	CP
Emergency Battery	EM
<small>(Must order LC44EM trim. Not wet location, airtight or outdoor rated.)</small>	
Outdoor Rated	OD
<small>(LD1 driver only. IC housing 1500L max. See dimming Performance Chart on page 3.)</small>	
TRIM & LED MODULE	
Aperture	
4.5" Square Reflector	LC44
4.5" Square Reflector - Airtight	LC44AT
<small>(IC housing required for Airtight rating)</small>	
4.5" Square Reflector - Emergency	LC44EM
<small>(Required for "EM" option. DN optic only. Not wet location, airtight or outdoor rated.)</small>	
Trim Type	
Square Die-Cast Trimless	SDT
Lumen Output	
<small>(Trim & Housing output must match)</small>	
1000 Lumens	1000L
1500 Lumens	1500L
2000 Lumens	2000L
2500 Lumens	2500L
3000 Lumens	3000L
<small>(Not available with SP distribution)</small>	
Color Temperature	
2700K, 80+ CRI or 90+ CRI	27K or 927K
3000K, 80+ CRI or 90+ CRI	30K or 930K
3500K, 80+ CRI or 90+ CRI	35K or 935K
4000K, 80+ CRI or 90+ CRI	40K or 940K
Warm Dim: 2700-1800K, 90+ CRI	92718W
<small>(1500 & 2000 lumens only)</small>	
Warm Dim: 3000-1800K, 90+ CRI	93018W
<small>(1500 & 2000 lumens only)</small>	
Optic	
Downlight	DN
Super Short Cone with Solite Lens 75° cut-off	DSS
<small>(VWFL or SWFL only)</small>	
Distribution	
Spot	SP
Narrow Flood	NFL
Flood 1	FL1
Flood 2	FL2
Wide Flood	WFL
Very Wide Flood	VWFL
Super Wide Flood (DSS Optic only)	SWFL
Color	
Clear Diffuse	CD
Warm Diffuse	WD
Black	BK
White	WH
ACCESSORIES	
Wood Ceiling Installation Kit	LC44-WOOD-KIT
<small>(One kit recommended per 10 downlights)</small>	



Options in orange qualify for the Quickship program. 5-day up to 200 pieces. Refer to Quickship Guide for complete details.

SQUARE DOWNLIGHT PERFORMANCE CHART

Lumen Output	Delivered Lumens	System Watts	LPW
1000L	1032	11	91
1500L	1552	19	81
 1500L	1480	25	58
2000L	2061	26	81
 2000L	2079	37	57
2500L	2492	32	78
3000L	2981	36	82

Based on downlight (DN) optic, 3500K, 80CRI, Wide Flood, Clear Diffuse. WDM base on 3000 - 1800K, 90 CRI. Delivered lumen output may vary +/- 5%. Actual wattage may vary +/- 5%.

OUTDOOR RATED (OD) DRIVER DIMMING PERFORMANCE CHART

Lumen Output	Minimum Dimming Level
1000L	25%
1500L	16%
2000L	12%
2500L	10%
3000L	10%

SQUARE DOWNLIGHT LUMEN MULTIPLIER TABLE

Color Temperature & CRI

Trim Type	Optic	Lumen Output	Color Temperature	Multiplier
ALL	ALL	ALL	2700K, 80+ CRI [27K]	0.93
			2700K, 90+ CRI [927K]	0.75
			3000K, 80+ CRI [30K]	0.93
			3000K, 90+ CRI [930K]	0.81
			3500K, 80+ CRI [35K]	1.00
			3500K, 90+ CRI [935K]	0.81
			4000K, 80+ CRI [40K]	1.00
			4000K, 90+ CRI [940K]	0.87
		1500	0.93	
		2000	1.09	
		1500	0.99	
		2000	1.04	

Distribution

Trim Type	Optic	Distribution	Multiplier	
			1000 - 2500L	3000L
Square Die-Cast Trimless [SDT]	Downlight with 50° cut-off [DN]	Spot [SP]	1.05	-
		Narrow Flood [NFL]	1.04	1.04
		Flood 1 [FL1]	0.97	0.96
		Flood 2 [FL2]	0.99	0.98
		Wide Flood [WFL]	1.00	1.00
		Very Wide Flood [VWFL]	0.94	0.93
Square Die-Cast Overlap [SDO]	Downlight with 50° cut-off [DN]	Spot [SP]	1.03	-
		Narrow Flood [NFL]	1.02	1.02
		Flood 1 [FL1]	0.96	0.93
		Flood 2 [FL2]	0.97	0.94
		Wide Flood [WFL]	0.98	0.98
Square Die-Cast Trimless [SDT]	Super Short Cone with Solite Lens with 75° cut-off [DSS]	Very Wide Flood [VWFL]	0.87	0.88
		Super Wide Flood [SWFL]	0.81	0.84
Square Die-Cast Overlap [SDO]	Super Short Cone with Solite Lens with 75° cut-off [DSS]	Very Wide Flood [VWFL]	0.80	0.82
		Super Wide Flood [SWFL]	0.81	0.75

Color

Trim Type	Optic	Color	Multiplier
Square Die-Cast Trimless [SDT] and Square Die-Cast Overlap [SDO]	Downlight with 50° cut-off [DN]	Clear Diffuse [CD]	1.00
		Warm Diffuse [WD]	0.84
		White [WH]	1.11
		Black [BK]	0.65
Square Die-Cast Trimless [SDT] and Square Die-Cast Overlap [SDO]	Super Short Cone with Solite Lens with 75° cut-off [DSS]	Clear Diffuse [CD]	1.00
		Warm Diffuse [WD]	1.01
		White [WH]	1.16
		Black [BK]	0.93

Multiplier charts are provided to aid with estimation of lumen levels across options. Apply multipliers against ordered Lumen Output to estimate Delivered Lumens. An estimation should make use of all tables through consecutive application of three multipliers. Refer to IES files for most accurate photometric information.

How To Use Lumen Multipliers

Formula: (Lumen Output Value) x (Color Temperature & CRI) x (Distribution) x (Color)

Example: LC44-SDT-2000L-935K-DN-NFL-WH

(2000) x (0.81) x (1.04) x (1.11) ≈ 1870 lm (estimated delivered lumens)