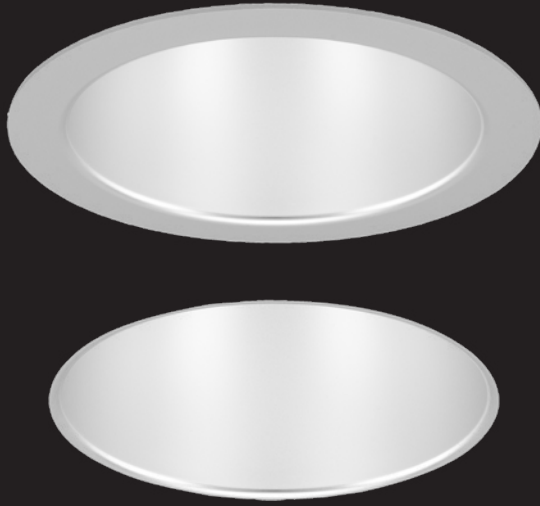


ID+ 3.5"

OVERLAP & TRIMLESS LED DOWNLIGHTS



Overlap Solite lens



Clear diffuse



Warm diffuse



Black



White



Optional painted flanges



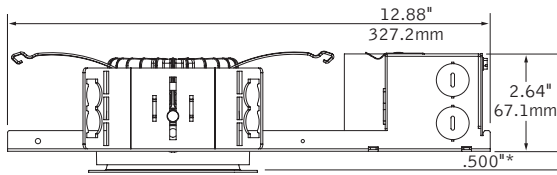
Wall Wash companion



Adjustable Accent companion

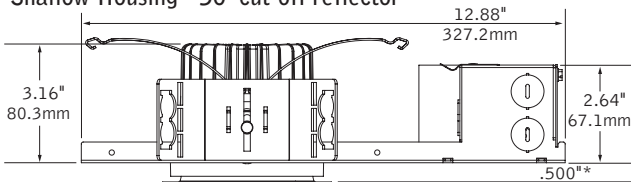
DIMENSIONAL DATA

Very Shallow Housing - 60° and 75° cut-off reflectors

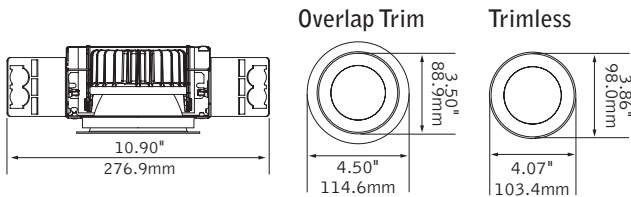


Housing height with DALI, Lutron & LZ1 drivers is 3.0"

Shallow Housing - 50° cut-off reflector



*Field adjustability of ceiling thickness from 0.5" - 1.5"



FEATURES

Less than 2.64" low profile housing available.

50°, 60° and 75° cut-off reflector options available.

25° to 90° beam spreads support accent lighting, task lighting and general illumination.

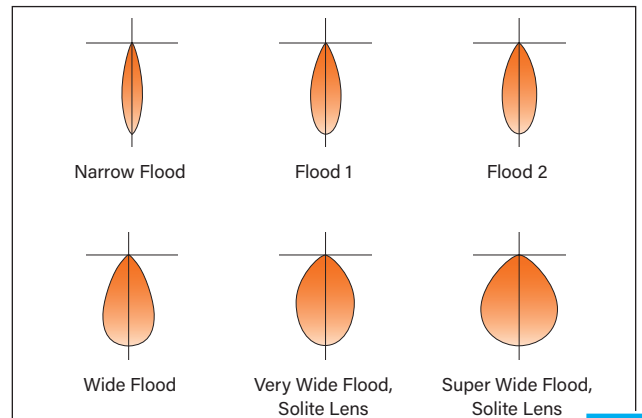
Solite lens with die-cast trim allows for a coordinated aesthetic with ID+ 3.5" Adjustable Accent and delivers 70° or 90° beam spread options.

Tunable White: Supports human activity, well-being, and preferences with a light quality that evolves throughout the day.

Warm Dim: Lighting that enhances spaces with a warm glow, reminiscent of incandescent or halogen light sources.

PoE compatible: Integrates with Power over Ethernet lighting systems via standard, low-voltage wires.

DISTRIBUTIONS



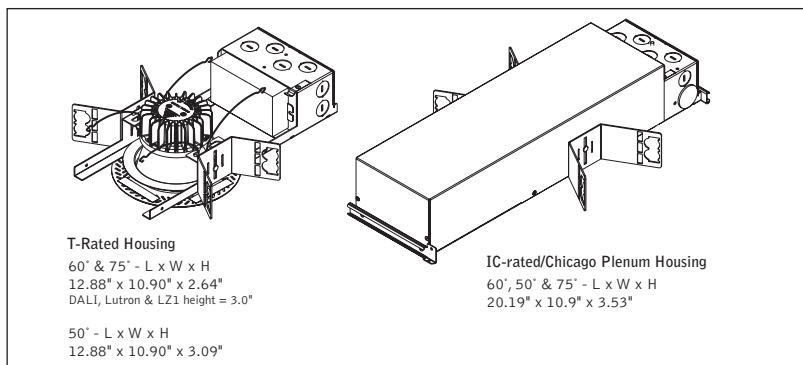
Based on Overlap Trim, Tall Cone except Solite Lens versions, Clear Diffuse. Photometric performance is measured in accordance with IESNA LM-79. Visit focalpointlights.com for complete photometric data. Visit energystar.gov for model specifics.



fixture:

project:

STANDARD WHITE HOUSING DETAILS



3.5" ROUND DOWNLIGHT OPTICS

| Optic | Cut-Off Degree | Trim Type | Distribution Beam Spread Spacing Criteria | | | | | |
|-------|----------------|-----------|---|------------|------------|------------|------------|------------|
| | | | NFL | FL1 | FL2 | WFL | VWFL | SWFL |
| DNT | 50° | Overlap | 25° 0.42 | 37° 0.62 | 44° 0.72 | 59° 0.89 | 67° 1.02 | |
| | | Trimless | 26° 0.54 | 37° 0.62 | 44° 0.76 | 58° 0.87 | - | - |
| DNS | 60° | Overlap | 24° 0.42 | 34° 0.67 | 47° 0.81 | 54° 0.87 | 65° 0.99 | |
| | | Trimless | 25° 0.42 | 37° 0.63 | 45° 0.75 | 56° 0.92 | - | - |
| DSS | 75° | Overlap | - | - | - | - | 73° 1.07 | 91° 1.26 |
| | | Trimless | - | - | - | - | 74° 1.07 | 91° 1.24 |

3.5" ROUND DOWNLIGHT PERFORMANCE TABLES

Based on Overlap, Tall Cone, Wide Flood, Clear Diffuse. Delivered lumen output may vary +/- 5%. Actual wattage may vary +/- 5%.

| STANDARD WHITE | | | | |
|----------------|--------------|------------------|--------------|-----|
| CCT | Lumen Output | Delivered Lumens | System Watts | LPW |
| 3500K, 80CRI | 700L | 721 | 8 | 90 |
| | 900L | 919 | 10 | 94 |
| | 1100L | 1112 | 12 | 96 |
| | 1300L | 1298 | 16 | 83 |
| | 1500L | 1484 | 17 | 85 |
| | 1700L | 1682 | 19 | 86 |
| | 1900L | 1909 | 22 | 87 |
| | 2100L | 2144 | 25 | 86 |

STANDARD WHITE

HOUSING ORDERING

- Housing Series** ID+ 3.5" Round **FLC3D**
- Trim Type**
 - Round Overlap **RO**
 - Round Trimless **RT**
- Color Options**
 - Standard White, 80 & 90 CRI **SW**
 - High 97 CRI **HC**
- Lumen Output**
 - 700 Lumen (Not available with Lutron or LFP) **700L**
 - 900 Lumen (Not available with LFP) **900L**
 - 1100 Lumen **1100L**
 - 1300 Lumen **1300L**
 - 1500 Lumen **1500L**
 - 1700 Lumen **1700L**
 - 1900 Lumen **1900L**
 - 2100 Lumen **2100L**
- Voltage**
 - 120/277 Volt **UNV**
 - (IC-rated housing: SW - 1700lm max., HC - 1500lm max. T-rated & TW housings: SW - 1100lm max., HC - 900lm max.)
 - 120V **120**
 - 277V **277**
 - Low Voltage **LV**
 - (IC-rated housing: SW - 1700lm max., HC - 1500lm max. T-rated & TW housings: SW - 1100lm max., HC - 900lm max.)
- Control System & Dimming Level**
 - 0-10V <1% Dimming **LZ1**
 - 0-10V - 1% Dimming **L11**
 - 0-10V - 10% Dimming **LD1**
 - Low Voltage, PoE Compatible **LVN**
 - (No driver. Not available with EMR. LV voltage only.)
 - Forward Phase (120V only) **LFP**
 - Lutron Hi-Lume EcoSystem (LDE1) - 1% Dimming **LH1**
 - Lutron Hi-Lume - Forward Phase (120V) - 1% Dimming **LTE**
 - DALI <1% Dimming **DZ1**
 - DALI - 1% Dimming **D11**
- Housing Type**
 - IC-Rated / Airtight (LTE 1500lm max.) **IC**
 - Thermally Protected, Non-IC / Airtight **T**
 - Thermally Protected, Non-IC Wood (Trimless only. Wood kit required) **TW**
- Factory Options**
 - Bar Hangers **BH**
 - Chicago Plenum **CP**
 - Emergency Battery - Remote test switch **EMR**
 - (Overlap trim only. Not available with CP or IC-rated housing. Above ceiling access required.)
 - Outdoor Rated **OD**
 - (LD1 driver and T-rated housing only. Not available with CP or EMR. See dimming performance table on page 5.)
- TRIM & LED MODULE**
- Aperture**
 - 3.5" Round Reflector **LC3**
- Trim Type**
 - Round Overlap **RO**
 - Round Die-Cast Overlap (DSS only) **RDO**
 - Round Trimless **RT**
 - Round Die-Cast Trimless (DSS only) **RDT**
- Color Options**
 - Standard White, 80 & 90 CRI **SW**
 - High 97 CRI **HC**
- Lumen Output**
 - 700 Lumen (Not available with Lutron or LFP) **700L**
 - 900 Lumen (Not available with LFP) **900L**
 - 1100 Lumen **1100L**
 - 1300 Lumen **1300L**
 - 1500 Lumen **1500L**
 - 1700 Lumen **1700L**
 - 1900 Lumen **1900L**
 - 2100 Lumen **2100L**
- Color Temperature**
 - (Add 9 for 90 CRI or H for 97 CRI. Leave blank for 80 CRI. Examples: 2700K, 97 CRI = H27K. 2700K, 80 CRI = 27K.)
 - 2700K, 80/90/97+ CRI **_27K**
 - 3000K, 80/90/97+ CRI **_30K**
 - 3500K, 80/90/97+ CRI **_35K**
 - 4000K, 80/90/97+ CRI **_40K**
- Optic**
 - Tall Cone with 50° cut-off **DNT**
 - Short Cone with 60° cut-off **DNS**
 - Super Short Cone with Solite Lens 75° cut-off **DSS**
 - (Die-cast trims only. VWFL or SWFL only)
- Distribution**
 - Narrow Flood **NFL**
 - Flood 1 **FL1**
 - Flood 2 **FL2**
 - Wide Flood **WFL**
 - Very Wide Flood (Overlap all optics. Trimless DSS only) **VWFL**
 - Super Wide Flood (DSS only) **SWFL**
- Finish**
 - Clear Diffuse **CD**
 - Warm Diffuse **WD**
 - Black **BK**
 - White **WH**
- Optional Flange Finish**
 - (Overlap CD & WD finish only) (For matching finishes leave blank)
 - Black Painted **BP**
 - White Painted **WP**

ACCESSORIES

- Trimless Wood Ceiling Installation Kit **LC3-WOOD-KIT**
- (One kit recommended per 10 downlights)

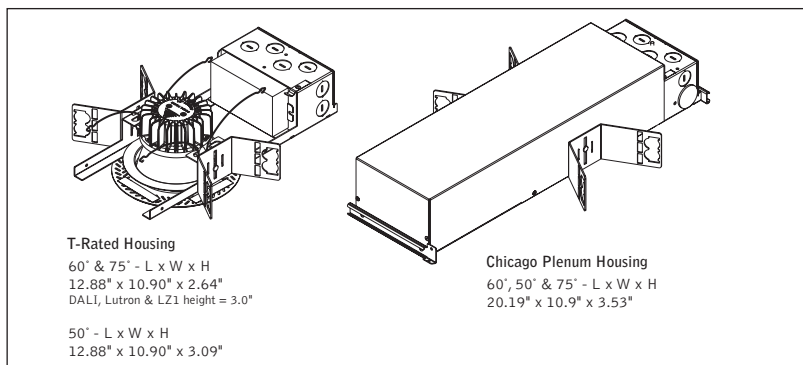
QS QS Options in red and orange qualify for 2-day and 5-day Quickship respectively, up to 200 pieces. If red and orange options make an ordering string, 5-day Quickship applies. See Quickship Guide for more details.

Focal Point LLC reserves the right to change specifications for product improvement without notification.

fixture:

project:

WARM DIM HOUSING DETAILS



WARM DIM HOUSING ORDERING

| | | | |
|-----------------------|----------------|-------|--------------|
| Housing Series | ID+ 3.5" Round | FLC3D | FLC3D |
| Trim Type | Round Overlap | RO | |
| | Round Trimless | RT | |
| Color Options | Warm Dim | WDM | WDM |
| Lumen Output | 1500 Lumen | 1500L | 1500L |
| Voltage | 120V | 120 | |
| | 277V | 277 | |

Control System & Dimming Level

| | |
|--|-----|
| 0-10V <1% Dimming | LZ1 |
| 0-10V - 1% Dimming | L11 |
| 0-10V - 10% Dimming | LD1 |
| Forward Phase (120V only) | LFP |
| Lutron Hi-Lume EcoSystem (LDE1) - 1% Dimming | LH1 |
| Lutron Hi-Lume - Forward Phase (120V) - 1% Dimming | LTE |
| DALI <1% Dimming | DZ1 |
| DALI - 1% Dimming | D11 |

Housing Type

| | |
|---|----|
| Thermally Protected, Non-IC / Airtight | T |
| Thermally Protected, Non-IC Wood <small>(Trimless only, Wood kit required)</small> | TW |

Factory Options

| | |
|----------------|----|
| Bar Hangers | BH |
| Chicago Plenum | CP |
| Outdoor Rated | OD |

(LD1 driver and T-rated housing only. Not available with CP. See dimming performance table on page 5.)

TRIM & LED MODULE

| | |
|------------------------------------|------------|
| Aperture | LC3 |
| 3.5" Round Reflector | LC3 |
| Trim Type | |
| Round Overlap | RO |
| Round Die-Cast Overlap (DSS only) | RDO |
| Round Trimless | RT |
| Round Die-Cast Trimless (DSS only) | RDT |

Color Options

Warm Dim WDM

Lumen Output

1500 Lumen 1500L

Color Temperature

| | |
|-------------------------------|--------|
| Warm Dim: 2700-1800K, 90+ CRI | 92718W |
| Warm Dim: 3000-1800K, 90+ CRI | 93018W |

Optic

| | |
|---|-----|
| Tall Cone with 50° cut-off | DNT |
| Short Cone with 60° cut-off | DNS |
| Super Short Cone with Solite Lens 75° cut-off <small>(Die-cast trims only)</small> | DSS |

Distribution

| | |
|---|------|
| Narrow Flood | NFL |
| Flood 1 | FL1 |
| Flood 2 | FL2 |
| Wide Flood | WFL |
| Very Wide Flood (Overlap all optics. Trimless DSS only) | VWFL |
| Super Wide Flood (DSS only) | SWFL |

Finish

| | |
|---------------|----|
| Clear Diffuse | CD |
| Warm Diffuse | WD |
| Black | BK |
| White | WH |

Optional Flange Finish

| | |
|--|----|
| <small>(Overlap CD & WD finish only) (For matching finishes leave blank)</small> | |
| Black Painted | BP |
| White Painted | WP |

ACCESSORIES

| | |
|--|------------------|
| Trimless Wood Ceiling Installation Kit <small>(One kit recommended per 10 downlights)</small> | LC3- WOOD-KIT |
|--|------------------|

3.5" ROUND DOWNLIGHT OPTICS

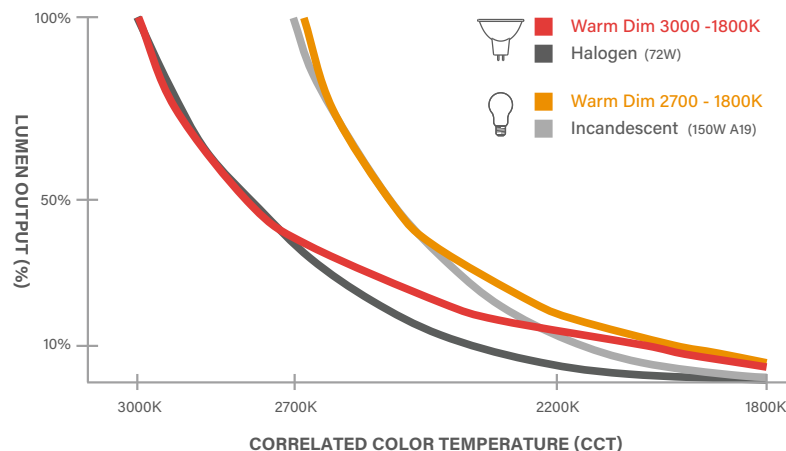
| Optic | Cut-Off Degree | Trim Type | Distribution Beam Spread Spacing Criteria | | | | | |
|-------|----------------|-----------|---|------------|------------|------------|------------|------------|
| | | | NFL | FL1 | FL2 | WFL | VWFL | SWFL |
| DNT | 50° | Overlap | 25° 0.42 | 37° 0.62 | 44° 0.72 | 59° 0.89 | 67° 1.02 | |
| | | Trimless | 26° 0.54 | 37° 0.62 | 44° 0.76 | 58° 0.87 | - | - |
| DNS | 60° | Overlap | 24° 0.42 | 34° 0.67 | 47° 0.81 | 54° 0.87 | 65° 0.99 | |
| | | Trimless | 25° 0.42 | 37° 0.63 | 45° 0.75 | 56° 0.92 | - | - |
| DSS | 75° | Overlap | - | - | - | - | 73° 1.07 | 91° 1.26 |
| | | Trimless | - | - | - | - | 74° 1.07 | 91° 1.24 |

3.5" ROUND DOWNLIGHT PERFORMANCE TABLE

Based on Overlap, Tall Cone, Wide Flood, Clear Diffuse. Delivered lumen output may vary +/- 5%. Actual wattage may vary +/- 5%

| WD WARM DIM | | | | |
|--------------|--------------|------------------|--------------|-----|
| CCT Range | Lumen Output | Delivered Lumens | System Watts | LPW |
| 2700 - 1800K | 1500L | 1524 | 25 | 61 |
| 3000 - 1800K | 1500L | 1555 | 25 | 61 |

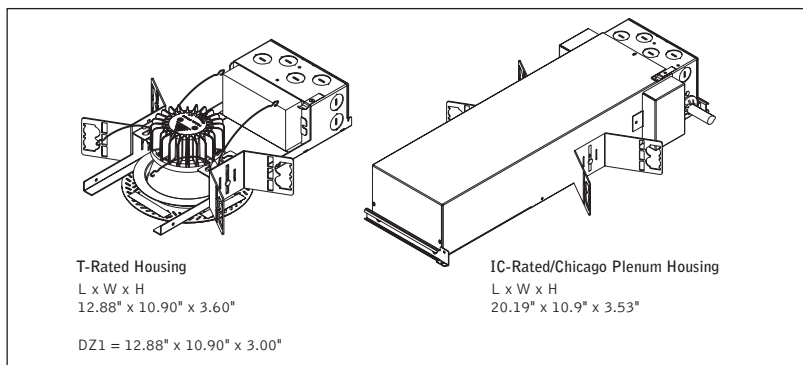
The 3000K to 1800K and 2700K to 1800K ranges mimic the black body curves of halogen and incandescent light sources, respectively.





TUNABLE WHITE HOUSING ORDERING

TUNABLE WHITE HOUSING DETAILS



| | | |
|--|--------------------------------|--------------|
| Housing Series ID+ 3.5" Round | FLC3D | <u>FLC3D</u> |
| Trim Type Round Overlap Round Trimless | RO RT | _____ |
| Color Options Tunable White: 1800-4000K <small>(900L max. T-rated housings only)</small> Tunable White: 2700-5000K Tunable White: 2700-6500K | 1840T 2750T 2765T | _____ |
| Lumen Output 700 Lumen 900 Lumen 1100 Lumen 1300 Lumen | 700L 900L 1100L 1300L | _____ |
| Voltage 120/277 Volt <small>(2705T & 2765T only. IC housing only)</small> 120V 277V Low Voltage <small>(2705T & 2765T only. IC housing only)</small> LV | UNV 120 277 LV | _____ |

3.5" ROUND DOWNLIGHT OPTICS

| Optic | Cut-Off Degree | Trim Type | Distribution Beam Spread Spacing Criteria | | | | | |
|-------|----------------|-----------|---|------------|------------|------------|------------|------------|
| | | | NFL | FL1 | FL2 | WFL | VWFL | SWFL |
| DNT | 50° | Overlap | 25° 0.42 | 37° 0.62 | 44° 0.72 | 59° 0.89 | 67° 1.02 | |
| | | Trimless | 26° 0.54 | 37° 0.62 | 44° 0.76 | 58° 0.87 | - | - |
| DNS | 60° | Overlap | 24° 0.42 | 34° 0.67 | 47° 0.81 | 54° 0.87 | 65° 0.99 | |
| | | Trimless | 25° 0.42 | 37° 0.63 | 45° 0.75 | 56° 0.92 | - | - |
| DSS | 75° | Overlap | - | - | - | - | 73° 1.07 | 91° 1.26 |
| | | Trimless | - | - | - | - | 74° 1.07 | 91° 1.24 |

| | | |
|--|-------------------|-------|
| Control System & Dimming Level 0-10V <1% Dimming Lutron T-Series <1% Dimming DALI <1% Dimming <small>(Requires 2 addresses, one for light intensity & one for color tuning)</small> | LZ1 LTZ DZ1 | _____ |
| Low Voltage, PoE Compatible <small>(No driver. Not available with EMR. LV voltage only)</small> | LVN | _____ |
| Housing Type IC-Rated / Airtight <small>(700L only, 2750T or 2765T only)</small> Thermally Protected, Non-IC / Airtight Thermally Protected, Non-IC Wood <small>(Trimless only. Wood kit required)</small> | IC T TW | _____ |
| Factory Options Bar Hangers Chicago Plenum <small>(2750T & 2765T: 1100L max. 1840T: 700L only)</small> | BH CP | _____ |
| Emergency Battery - Remote test switch <small>(Overlap trim only. Not available with CP or IC-rated housing. Above ceiling access required.)</small> | EMR | _____ |

3.5" ROUND DOWNLIGHT PERFORMANCE TABLES

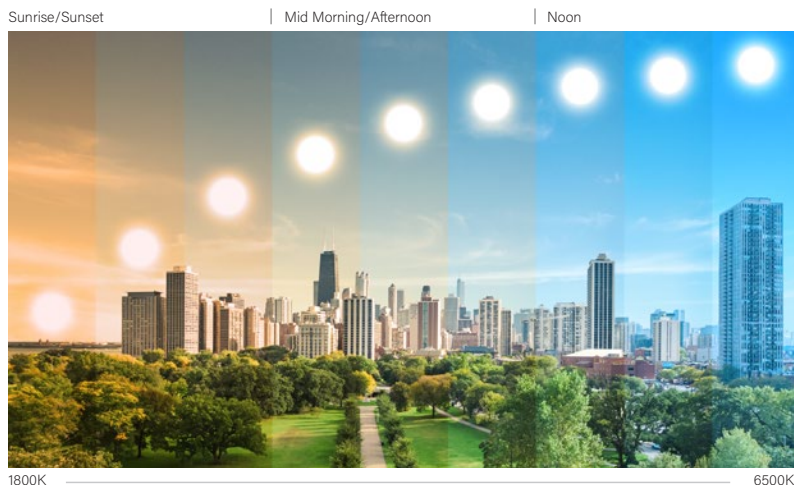
Based on Overlap, Tall Cone, Wide Flood, Clear Diffuse. Delivered lumen output may vary +/- 5%. Actual wattage may vary +/- 5%

| TUNABLE WHITE | | | | |
|------------------------------------|--------------|------------------|--------------|-----|
| CCT | Lumen Output | Delivered Lumens | System Watts | LPW |
| 2700K (2700-5000K & 2700-6500K) | 700L | 700 | 13 | 53 |
| | 900L | 906 | 17 | 54 |
| | 1100L | 1095 | 20 | 54 |
| | 1300L | 1306 | 25 | 53 |
| 1800K (1800-4000K) | 700L | 701 | 20 | 36 |
| | 900L | 898 | 25 | 37 |

| | | |
|---|--------------------------------|------------|
| TRIM & LED MODULE Aperture 3.5" Round Reflector | LC3 | <u>LC3</u> |
| Trim Type Round Overlap Round Die-Cast Overlap (DSS only) Round Trimless Round Die-Cast Trimless (DSS only) | RO RDO RT RDT | _____ |
| Color Options <small>(Trim & housing must match)</small> Tunable White: 1800-4000K Tunable White: 2700-5000K Tunable White: 2700-6500K | 1840T 2750T 2765T | _____ |
| Lumen Output <small>(Trim & housing must match)</small> 700 Lumen 900 Lumen 1100 Lumen 1300 Lumen | 700L 900L 1100L 1300L | _____ |

The Comfort (1800K-4000K), Preference (2700K-5000K), and Activity (2700K-6500K) ranges give specifiers the tools to enhance spaces, mood, and alertness.

DAYLIGHT RANGE



| | | |
|--|--|-------|
| Color Temperature Tunable White: 1800-4000K, 90+ CRI Tunable White: 2700-5000K, 90+ CRI Tunable White: 2700-6500K, 90+ CRI | 91840T 92750T 92765T | _____ |
| Optic Tall Cone with 50° cut-off Short Cone with 60° cut-off Super Short Cone with Solite Lens 75° cut-off <small>(Die-cast trims only)</small> | DNT DNS DSS | _____ |
| Distribution Narrow Flood Flood 1 Flood 2 Wide Flood Very Wide Flood <small>(Overlap all optics. Trimless DSS only)</small> Super Wide Flood <small>(DSS only)</small> | NFL FL1 FL2 WFL VWFL SWFL | _____ |
| Finish Clear Diffuse Warm Diffuse Black White | CD WD BK WH | _____ |
| Optional Flange Finish <small>(Overlap CD & WD finish only) (For matching finishes leave blank)</small> Black Painted White Painted | BP WP | _____ |

ACCESSORIES

| | | |
|--|------------------|-------|
| Trimless Wood Ceiling Installation Kit <small>(One kit recommended per 10 downlights)</small> | LC3- WOOD-KIT | _____ |
|--|------------------|-------|

HOUSING SPECIFICATIONS

Construction

Thermally protected housing for new construction applications. Insulation to be kept 3" away from housing. Type IC inherently protected, suitable for direct contact with insulation. Restrictive airflow per ASTM-E283. Butterfly brackets allow mounting to 1/2" emt. Order bar hangers as an accessory. Die-cast aluminum heat sink designed for maximum thermal dissipation. Die-formed housing and integral junction box with (7) 1/2" pry outs. Accommodates ceiling thicknesses up to 0.5" standard, field adjustable up to 1.5" thickness. For thicker ceiling consult factory. Fixture will not exceed 5 lb. Trim is inherently airtight and may be used to obtain airtight rating when used with IC-rated or thermally protected, non-IC (T) housings.

Electrical

Choice of constant current dimming drivers. Power factor > .9 typical. PoE compatible: Integrates with Power over Ethernet lighting systems via standard, low-voltage wires.

Emergency

Above ceiling access required. Overlap trim only. Emergency output - 7W for 90 minutes. Maximum mounting height — Clear Diffuse & White: 22.5ft. Black & Warm Diffuse: 15.3ft.

Labels

UL and cUL Listed. Suitable for Dry, Damp or Wet Locations, indoor use only. Specify Outdoor rated (OD) for outdoor recessed ceiling applications.

Outdoor Rated (OD) Driver Dimming Performance table

| Lumen Output | Minimum Dimming Level |
|--------------|-----------------------|
| 700L | 20% |
| 900L | 16% |
| 1100L | 13% |
| 1300L | 10% |
| 1500L | 10% |
| 1700L | 10% |
| 1900L | 10% |
| 2100L | 10% |

Lumen Maintenance

Reported: L70 at >55,000 hours Calculated: L70 at 204,000 hours
 L90 at >55,000 hours L90 at 59,000 hours

Derived from EPA TM-21 calculator. Based on typical conditions, consult factory for additional data.

Reliability

At Focal Point, our products are designed to stand the test of time. Each luminaire is engineered using superior components, manufactured with the utmost care and rigorously tested. Contact us for reliability data.

Warranty

LED System rated for operation in ambient environments up to 25°C. 5-year limited warranty. Fixture with Outdoor rated option must be installed in a covered ceiling and is warranted for operation in ambient environments between -20°C to +40°C.

TRIM & LED SPECIFICATIONS

LED System

Proprietary array incorporates premium LEDs on a robust platform. May be specified in 2700K, 3000K, 3500K or 4000K, Warm Dimming (2700K-1800K and 3000K-1800K), or Tunable White (1800K-4000K, 2700K-5000K and 2700K-6500K). CRI>80, >90 or 97. Color accuracy within 2 SDCM (Warm Dimming from 3-5 SDCM). 3500K and 4000K with CRI>90 have a cyanosis observation index (COI) of 3.3 or less. Aluminum heat sink provides appropriate thermal management.

Aesthetics

Parabolic reflector cone ensures glare free optics. DNT & DNS reflector is .050 spun aluminum. DSS reflector is die-cast aluminum. Trims are self-flanged. Non-painted trim matches reflector finish. Painted flange may also be specified.

Optics

50-degree, 60-degree or 75-degree cut-off to light source and its image.

Color Lumen Multipliers

| CRI | STANDARD WHITE CCT | | | | WARM DIM CCT RANGES | | TUNABLE WHITE CCT RANGES | | |
|-----|--------------------|------|------|------|---------------------|------------|--------------------------|------------|------------|
| | 2700 | 3000 | 3500 | 4000 | 2700-1800K | 3000-1800K | 1800-4000K | 2700-5000K | 2700-6500K |
| 80+ | 0.92 | 0.98 | 1.00 | 1.01 | - | - | - | - | - |
| 90+ | 0.79 | 0.83 | 0.82 | 0.84 | 1.02 | 1.04 | 1.00 | 1.00 | 1.00 |
| 97 | 0.67 | 0.72 | 0.73 | 0.76 | - | - | - | - | - |

Distribution Lumen Multipliers

| Trim Type | Optic | Distribution | Multiplier |
|-------------------------------|--|-------------------------|------------|
| Round Trimless [RT] | Tall Cone with 50° cut-off [DNT] | Narrow Flood [NFL] | 1.12 |
| | | Flood 1 [FL1] | 0.92 |
| | | Flood 2 [FL2] | 1.06 |
| | | Wide Flood [WFL] | 0.92 |
| | Short Cone with 60° cut-off [DNS] | Narrow Flood [NFL] | 0.99 |
| | | Flood 1 [FL1] | 0.96 |
| | | Flood 2 [FL2] | 0.92 |
| | | Wide Flood [WFL] | 0.95 |
| Round Overlap [RO] | Tall Cone with 50° cut-off [DNT] | Narrow Flood [NFL] | 0.97 |
| | | Flood 1 [FL1] | 0.94 |
| | | Flood 2 [FL2] | 1.09 |
| | | Wide Flood [WFL] | 1.02 |
| | | Very Wide Flood [VWFL] | 1.02 |
| | Short Cone with 60° cut-off [DNS] | Narrow Flood [NFL] | 0.98 |
| | | Flood 1 [FL1] | 1.17 |
| | | Flood 2 [FL2] | 1.11 |
| | | Wide Flood [WFL] | 1.09 |
| | | Very Wide Flood [VWFL] | 1.07 |
| Round Die-Cast Trimless [RDT] | Super Short Cone with Solite Lens with 75° cut-off [DSS] | Very Wide Flood [VWFL] | 1.00 |
| | | Super Wide Flood [SWFL] | 0.95 |
| Round Die-Cast Overlap [RDO] | Super Short Cone with Solite Lens with 75° cut-off [DSS] | Very Wide Flood [VWFL] | 0.96 |
| | | Super Wide Flood [SWFL] | 0.90 |

Color Lumen Multipliers

| Trim Type | Optic | Color | Multiplier |
|--|--|--------------------|------------|
| Round Trimless [RT] and Round Overlap [RO] | Tall Cone with 50° cut-off [DNT] | Clear Diffuse [CD] | 1.00 |
| | | Warm Diffuse [WD] | 0.92 |
| | | White [WH] | 1.09 |
| | | Black [BK] | 0.46 |
| Round Trimless [RT] and Round Overlap [RO] | Short Cone with 60° cut-off [DNS] | Clear Diffuse [CD] | 1.00 |
| | | Warm Diffuse [WD] | 0.96 |
| | | White [WH] | 1.12 |
| | | Black [BK] | 0.62 |
| Round Die-Cast Trimless [RDT] and Round Die-Cast Overlap [RDO] | Super Short Cone with Solite Lens with 75° cut-off [DSS] | Clear Diffuse [CD] | 1.00 |
| | | Warm Diffuse [WD] | 0.97 |
| | | White [WH] | 1.16 |
| | | Black [BK] | 0.86 |

How To Use Lumen Multipliers

Formula:

(Lumen Output Value) x (Color Temperature & CRI) x (Distribution) x (Color)

Example:

LC3-RO-SW-1100L-935K-DNS-FL1-WH
 (1100) x (0.81) x (1.17) x (1.12) ≈ 1167lm (estimated delivered lumens)

Multiplier charts are provided to aid with estimation of lumen levels across options. Apply multipliers against ordered Lumen Output to estimate Delivered Lumens. An estimation should make use of all tables through consecutive application of three multipliers. Refer to IES files for most accurate photometric information.