

ID+ 3.5" x 3.5"

OVERLAP & TRIMLESS LED WALL WASH



FOCAL POINT®



white painted



clear diffuse



warm diffuse



black painted



optional painted flange



Downlight companion



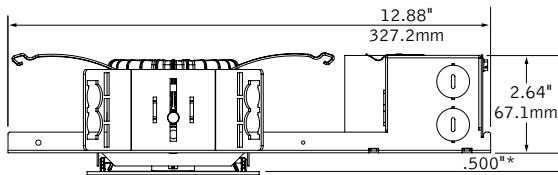
The Naturals collection - Chestnut shown



Adjustable Accent companion

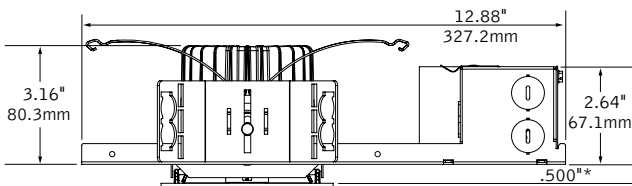
DIMENSIONAL DATA

60° cut-off reflector

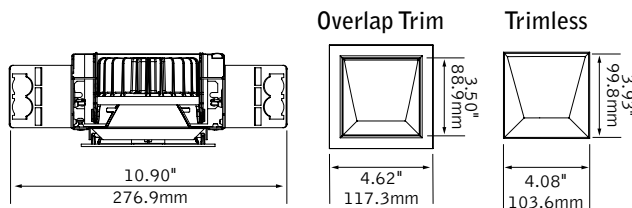


Housing height with DALI, Lutron & LZ1 drivers is 3.0"

50° cut-off reflector



* Field adjustability of ceiling thickness from 0.5" - 1.5"



FEATURES

Less than 2.64" low profile housing available.

50° cut-off and 60° cut-off reflector options available.

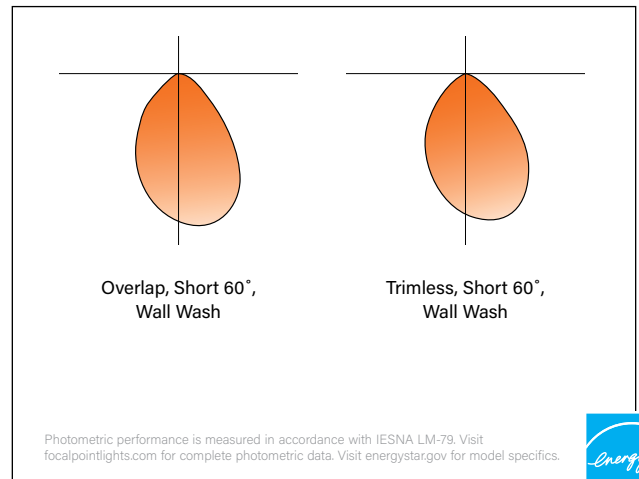
Tunable White: Supports human activity, well-being, and preferences with a light quality that evolves throughout the day.

Warm Dim: Lighting that enhances spaces with a warm glow, reminiscent of incandescent or halogen light sources.

PoE compatible: Integrates with Power over Ethernet lighting systems via standard, low-voltage wires.

Available with The Naturals, a series of finishes that exude biophilic beauty.

DISTRIBUTIONS



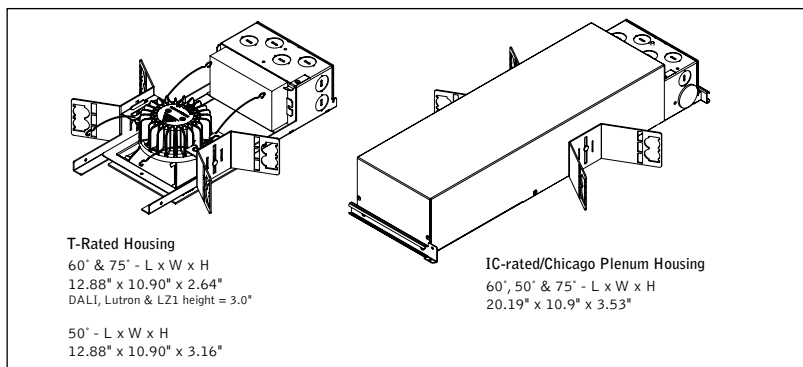
Photometric performance is measured in accordance with IESNA LM-79. Visit focalpointlights.com for complete photometric data. Visit energystar.gov for model specifics.



fixture:

project:

STANDARD WHITE HOUSING DETAILS



3.5" SQUARE WALL WASH PERFORMANCE TABLES

Based on Overlap, Tall Cone, Clear Diffuse. Delivered lumen output may vary +/- 5%. Actual wattage may vary +/- 5%

STANDARD WHITE				
CCT	Lumen Output	Delivered Lumens	System Watts	LPW
3500K, 80CRI	700L	712	11	64
	900L	913	16	56
	1100L	1104	19	58
	1300L	1299	22	58
	1500L	1533	26	59

STANDARD WHITE

HOUSING ORDERING

Housing Series
ID+ 3.5" Square **FLC33W**

Trim Type
Square Die-Cast Overlap **SDO**
Square Die-Cast Trimless **SDT**

Color Options
Standard White, 80 & 90 CRI **SW**
High 97 CRI **HC**

Lumen Output
700 Lumen **700L**
900 Lumen **900L**
1100 Lumen **1100L**
1300 Lumen **1300L**
1500 Lumen **1500L**

Voltage
120/277 Volt **UNV**

(IC-rated housing: SW - 1100lm max., HC - 900lm max.
T-rated & TW housings: SW - 700lm max., HC not available.)

120V **120**
277V **277**

Low Voltage **LV**

(IC-rated housing: SW - 1100lm max., HC - 900lm max.
T-rated & TW housings: SW - 700lm max., HC not available.)

Control System & Dimming Level
0-10V <1% Dimming **LZ1**
0-10V - 1% Dimming **L11**
0-10V - 10% Dimming **LD1**

Low Voltage, PoE Compatible **LVN**

(No driver, LV voltage only)

Forward Phase (120V only) **LFP**
Lutron Hi-Lume EcoSystem (LDE1) - 1% Dimming **LH1**
DALI <1% Dimming **DZ1**
DALI - 1% Dimming **D11**

Housing Type
IC-Rated / Airtight **IC**
Thermally Protected, Non-IC **T**
Thermally Protected, Non-IC Wood **TW**

(Trimless only, Wood kit required)

Factory Options

Bar Hangers **BH**

Chicago Plenum **CP**

Outdoor Rated **OD**

(LD1 driver and T-rated housing only, Not available with CP.
See dimming performance table on page 5.)

TRIM & LED MODULE

Aperture

3.5" Square Reflector **LC33**
3.5" Square Airtight Reflector **LC33ART**

Trim Type
Square Die-Cast Overlap **SDO**
Square Die-Cast Trimless **SDT**

Color Options
(Trim & housing must match)
Standard White, 80 & 90 CRI **SW**
High 97 CRI **HC**

Lumen Output
(Trim & housing output must match)
700 Lumen **700L**
900 Lumen **900L**
1100 Lumen **1100L**
1300 Lumen **1300L**
1500 Lumen **1500L**

Color Temperature
(Add 9 for 90 CRI or H for 97 CRI. Leave blank for 80 CRI.
Examples: 2700K, 97 CRI = H27K, 2700K, 80 CRI = 27K.)

2700K, 80/90/97+ CRI **_27K**
3000K, 80/90/97+ CRI **_30K**
3500K, 80/90/97+ CRI **_35K**
4000K, 80/90/97+ CRI **_40K**

Optic
Tall Cone with 50° cut-off **WWT**
Short Cone with 60° cut-off **WWS**

Finish
(See finishes page for The Naturals options)

Clear Diffuse **CD**
Warm Diffuse **WD**
Black **BK**
White **WH**

Optional Flange Finish
(Overlap CD & WD finish only) (For matching finishes leave blank)

Black Painted **BP**
White Painted **WP**

ACCESSORIES

Trimless Wood Ceiling Installation Kit **LC33-
WOOD-KIT**
(One kit recommended per 10 downlights)

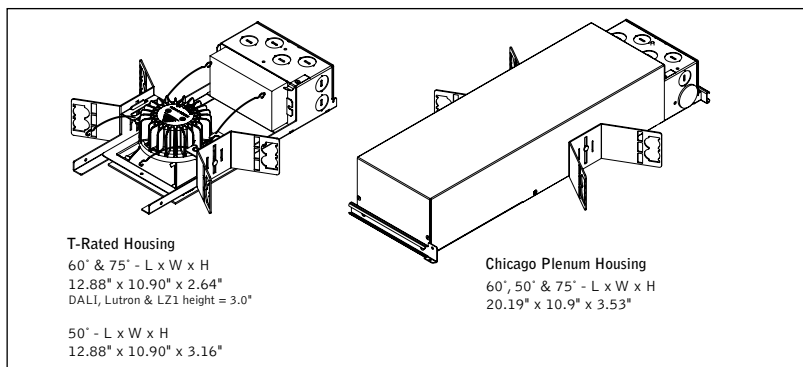


Options in orange qualify for 5-day Quickship up to 100 pieces.
See Quickship Guide for more details.

fixture:

project:

WARM DIM HOUSING DETAILS



WARM DIM

HOUSING ORDERING

Housing Series	ID+ 3.5" Square	FLC33W
Trim Type	Square Die-Cast Overlap	SDO
	Square Die-Cast Trimless	SDT
Color Options	Warm Dim	WDM
Lumen Output	1100 Lumen	1100L
Voltage	120V	120
	277V	277

Control System & Dimming Level

0-10V <1% Dimming	LZ1
0-10V - 1% Dimming	L11
0-10V - 10% Dimming	LD1
Forward Phase (120V only)	LFP
Lutron Hi-Lume EcoSystem (LDE1) - 1% Dimming	LH1
DALI <1% Dimming	DZ1
DALI - 1% Dimming	D11

Housing Type

IC-Rated / Airtight	IC
Thermally Protected, Non-IC	T
Thermally Protected, Non-IC Wood (Trimless only. Wood kit required)	TW

Factory Options

Bar Hangers	BH
Chicago Plenum	CP
Outdoor Rated	OD

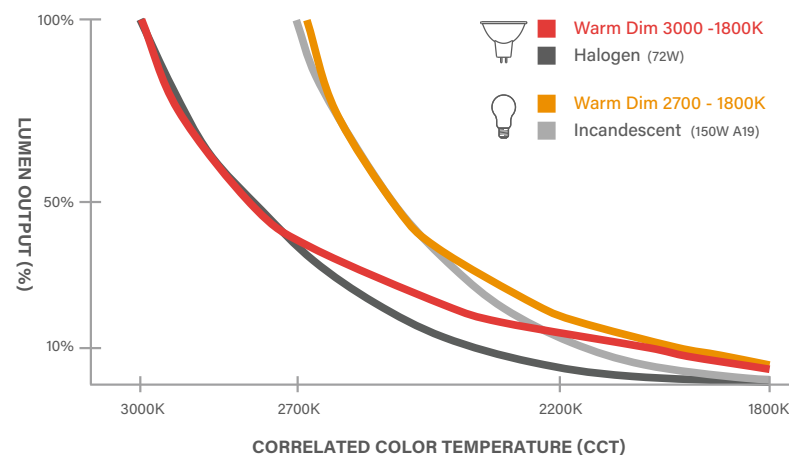
(LD1 driver and T-rated housing only. Not available with CP. See dimming performance table on page 5.)

3.5" SQUARE WALL WASH PERFORMANCE TABLE

Based on Overlap, Tall Cone, Clear Diffuse. Delivered lumen output may vary +/- 5%. Actual wattage may vary +/- 5%

WD WARM DIM				
CCT Range	Lumen Output	Delivered Lumens	System Watts	LPW
2700 - 1800K	1100L	980	25	39
3000 - 1800K	1100L	1001	25	40

The 3000K to 1800K and 2700K to 1800K ranges mimic the black body curves of halogen and incandescent light sources, respectively.



TRIM & LED MODULE

Aperture	3.5" Square Reflector	LC33
	3.5" Square AirtightReflector	LC33AT

Trim Type

Square Die-Cast Overlap	SDO
Square Die-Cast Trimless	SDT

Color Options

Warm Dim	WDM
----------	-----

Lumen Output

1100 Lumen	1100L
------------	-------

Color Temperature

Warm Dim: 2700-1800K, 90+ CRI	92718W
Warm Dim: 3000-1800K, 90+ CRI	93018W

Optic

Tall Cone with 50° cut-off	WWT
Short Cone with 60° cut-off	WWS

Finish

(See finishes page for The Naturals options)

Clear Diffuse	CD
Warm Diffuse	WD
Black	BK
White	WH

Optional Flange Finish

(Overlap CD & WD finish only) (For matching finishes leave blank)

Black Painted	BP
White Painted	WP

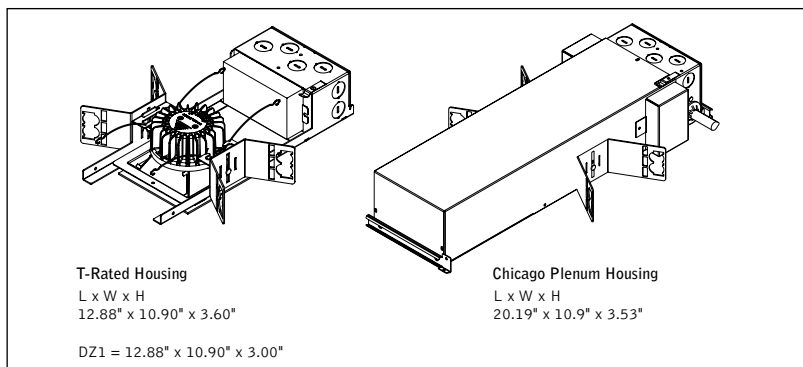
ACCESSORIES

Trimless Wood Ceiling Installation Kit (One kit recommended per 10 downlights)	LC33- WOOD-KIT
---	-------------------

fixture:

project:

TUNABLE WHITE HOUSING DETAILS



3.5" SQUARE WALL WASH PERFORMANCE TABLES

Based on Overlap, Tall Cone, Clear Diffuse. Delivered lumen output may vary +/- 5%. Actual wattage may vary +/- 5%

TUNABLE WHITE				
CCT	Lumen Output	Delivered Lumens	System Watts	LPW
2700K	700L	711	16	43
(2700-5000K & 2700-6500K)	900L	901	21	43
1800K	700L	709	24	30
(1800-4000K)				

The Comfort (1800K-4000K), Preference (2700K-5000K), and Activity (2700K-6500K) ranges give specifiers the tools to enhance spaces, mood, and alertness.

DAYLIGHT RANGE



TUNABLE WHITE

HOUSING ORDERING

Housing Series	FLC33W	FLC33W
ID+ 3.5" Square		
Trim Type		
Square Die-Cast Overlap	SDO	
Square Die-Cast Trimless	SDT	
Color Options		
Tunable White: 1800-4000K (700L only)	1840T	
Tunable White: 2700-5000K	2750T	
Tunable White: 2700-6500K	2765T	
Lumen Output		
700 Lumen	700L	
900 Lumen	900L	
Voltage		
120V	120	
277V	277	

Control System & Dimming Level

0-10V <1% Dimming	LD1
DALI <1% Dimming	DZ1
<small>(Default driver offers DT6 control. It requires two addresses, one for intensity & one for CCT tuning. Consult factory for DT8. Extended lead time apply.)</small>	

Housing Type

Thermally Protected, Non-IC	T
Thermally Protected, Non-IC Wood (Trimless only. Wood kit required)	TW

Factory Options

Bar Hangers	BH
Chicago Plenum (2750T & 2765T only)	CP

TRIM & LED MODULE

Aperture

3.5" Square Reflector	LC33
3.5" Square Airtight Reflector	LC33AT

Trim Type

Square Die-Cast Overlap	SDO
Square Die-Cast Trimless	SDT

Color Options

<small>(Trim & housing must match)</small>	
Tunable White: 1800-4000K	1840T
Tunable White: 2700-5000K	2750T
Tunable White: 2700-6500K	2765T

Lumen Output

<small>(Trim & housing must match)</small>	
700 Lumen	700L
900 Lumen	900L

Color Temperature

Tunable White: 1800-4000K, 90+ CRI	91840T
Tunable White: 2700-5000K, 90+ CRI	92750T
Tunable White: 2700-6500K, 90+ CRI	92765T

Optic

Tall Cone with 50° cut-off	WWT
Short Cone with 60° cut-off	WWS

Finish

<small>(See finishes page for The Naturals options)</small>	
Clear Diffuse	CD
Warm Diffuse	WD
Black	BK
White	WH

Optional Flange Finish

<small>(Overlap CD & WD finish only) (For matching finishes leave blank)</small>	
Black Painted	BP
White Painted	WP

ACCESSORIES

Trimless Wood Ceiling Installation Kit (One kit recommended per 10 downlights)	LC33- WOOD-KIT
--	-------------------

HOUSING SPECIFICATIONS

Construction

Thermally protected housing for new construction applications. Insulation to be kept 3" away from housing. Type IC inherently protected, suitable for direct contact with insulation. Restrictive airflow per ASTM-E283. Butterfly brackets allow mounting to 1/2" emt. Order bar hangers as an accessory. Die-cast aluminum heat sink designed for maximum thermal dissipation. Die-formed housing and integral junction box with (7) 1/2" pry outs. Accommodates ceiling thicknesses up to 0.5" standard, field adjustable up to 1.5" thickness. For thicker ceiling consult factory. Fixture will not exceed 5 lb. LC33AT trim is inherently airtight and may be used to obtain airtight rating when used with IC-rated or thermally protected, non-IC (T) housings.

Electrical

Choice of constant current dimming drivers. Power factor > .9 typical. PoE compatible: Integrates with Power over Ethernet lighting systems via standard, low-voltage wires.

Labels

UL and cUL Listed. Suitable for Dry, Damp or Wet Locations, indoor use only. Specify Outdoor rated (OD) for outdoor recessed ceiling applications.

Outdoor Rated (OD) Driver Dimming Performance table

Lumen Output	Minimum Dimming Level
700L	20%
900L	16%
1100L	13%
1300L	10%
1500L	10%

Lumen Maintenance

Reported: L70 at >55,000 hours Calculated: L70 at 204,000 hours
 L90 at >55,000 hours L90 at 59,000 hours

Derived from EPA TM-21 calculator. Based on typical conditions, consult factory for additional data.

Reliability

At Focal Point, our products are designed to stand the test of time. Each luminaire is engineered using superior components, manufactured with the utmost care and rigorously tested. Contact us for reliability data.

Warranty

LED System rated for operation in ambient environments up to 25°C. 5-year limited warranty. Fixture with Outdoor rated option must be installed in a covered ceiling and is warranted for operation in ambient environments between -20°C to +40°C.

TRIM & LED SPECIFICATIONS

LED System

Proprietary array incorporates premium LEDs on a robust platform. May be specified in 2700K, 3000K, 3500K or 4000K, Warm Dimming (2700K-1800K and 3000K-1800K), or Tunable White (1800K-4000K, 2700K-5000K and 2700K-6500K), CRI>80, >90 or 97. 3500K and 4000K with CRI>90 have a cyanosis observation index (COI) of 3.3 or less. Color accuracy within 2 SDCM (Warm Dimming from 3-5 SDCM). Aluminum heat sink provides appropriate thermal management.

Aesthetics

Die-formed aluminum reflector ensures glare free optics. Torsion springs pull trim tight to the ceiling with no visible fasteners within the trim. The Naturals: 100% low VOC vinyl.

Optics

50-degree or 60-degree cut-off to light source and its image. Wall wash features acrylic diffuser to provide smooth illumination down the wall.

Color Lumen Multipliers

CRI	STANDARD WHITE CCT				WARM DIM CCT RANGES		TUNABLE WHITE CCT RANGES		
	2700	3000	3500	4000	2700-1800K	3000-1800K	1800-4000K	2700-5000K	2700-6500K
80+	0.92	0.98	1.00	1.01	-	-	-	-	-
90+	0.79	0.83	0.82	0.84	0.89	0.91	1.00	1.00	1.00
97	0.67	0.72	0.73	0.76	-	-	-	-	-

Distribution Lumen Multipliers

Trim Type	Optic	Distribution	Multiplier
Square Die-Cast Trimless [SDT]	Tall Cone with 50° cut-off [WWT]	Wall Wash	1.09
	Short Cone with 60° cut-off [WWS]	Wall Wash	1.32
Square Die-Cast Overlap [SDO]	Tall Cone with 50° cut-off [WWT]	Wall Wash	1.02
	Short Cone with 60° cut-off [WWS]	Wall Wash	1.22

Color Lumen Multipliers

Trim Type	Optic	Color	Multiplier
ALL	Tall Cone with 50° cut-off [WWT]	Clear Diffuse [CD]	1.00
		Warm Diffuse [WD]	0.94
		White [WH]	1.45
		Black [BK]	0.59
	Short Cone with 60° cut-off [WWS]	Clear Diffuse [CD]	1.00
		Warm Diffuse [WD]	0.92
		White [WH]	1.32
		Black [BK]	0.68
ALL	ALL	Woven Linen [WLN]	0.93
		Walnut [WLT]	0.45
		Gray Elm [GRE]	0.72
		Chestnut [CHT]	0.75
		Light Oak [LOK]	0.90

How To Use Lumen Multipliers

Formula:

(Lumen Output Value) x (Color Temperature & CRI) x (Distribution) x (Color)

Example:

LC33-SDO-SW-1100L-935K-WWS-WH
 (1100) x (0.81) x (1.32) x (1.32) ≈ 1552lm (estimated delivered lumens)

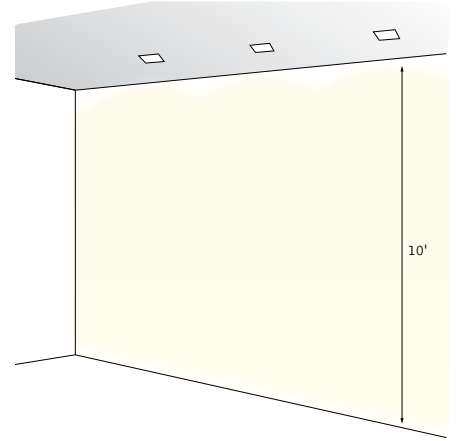
Multiplier charts are provided to aid with estimation of lumen levels across options. Apply multipliers against ordered Lumen Output to estimate Delivered Lumens. An estimation should make use of all tables through consecutive application of three multipliers. Refer to IES files for most accurate photometric information.

ID+ 3.5" x 3.5"

LED WALL WASH

WALL WASH DESIGN GUIDE - 1500 LUMEN, SHORT CONE (WWS) EXAMPLE

Calculation Point Distance from Ceiling	Footcandles									
	Fixtures 3' from Wall			Fixtures 3.5' from Wall			Fixtures 4' from Wall			
	3' OC	3.5' OC	4' OC	3' OC	3.5' OC	4' OC	3' OC	3.5' OC	4' OC	
1'-0"	3"	6 6 6	7 6 7	7 6 7	5 5 5	5 5 5	6 5 6	4 4 4	4 4 4	5 5 5
	6"	9 9 9	10 9 9	10 9 10	7 7 7	8 7 7	8 7 7	6 6 6	6 6 6	6 6 6
	9"	13 14 13	14 13 13	14 13 14	10 11 10	10 10 10	10 10 10	8 9 8	8 8 8	8 9 8
	12"	17 18 17	17 17 17	17 16 17	13 14 12	13 13 13	12 13 12	10 11 10	10 10 10	10 10 10
2'	18 20 19	19 19 19	19 18 19	14 15 14	14 14 14	14 14 14	11 12 11	11 12 11	11 11 11	
3'	25 28 25	24 26 24	23 24 23	19 21 19	18 20 18	17 18 17	15 17 15	14 15 14	14 15 14	
4'	28 32 28	26 29 26	24 26 24	23 27 23	21 24 21	20 22 20	18 21 18	17 20 17	16 18 16	
5'	25 29 25	23 27 23	22 24 22	23 26 23	21 25 21	20 23 20	20 23 20	19 22 19	17 20 17	
6'	20 23 20	19 22 19	18 20 18	20 23 20	19 22 19	18 20 18	19 22 19	18 20 18	17 19 17	
7'	17 19 17	16 18 16	15 17 15	17 19 17	16 18 16	15 17 15	17 19 17	16 18 16	15 17 15	
8'	14 15 14	13 15 13	12 14 12	15 16 15	14 15 14	13 15 13	15 16 15	14 16 14	13 15 13	
9'	12 13 12	11 12 11	11 12 11	12 14 12	12 13 12	11 13 11	13 14 13	12 13 12	11 13 11	
10'	8 8 8	7 8 7	7 8 7	8 9 8	8 9 8	7 8 7	9 9 9	8 9 8	8 9 8	



IES File: FLC33W-SDO-SW-1500L-SDO-SW-1500L-35K-WWS-CD. Parameters: 80/50/20 reflectances, LLF=.09.

WALL WASH DESIGN GUIDE - 1500 LUMEN, TALL CONE (WWT) EXAMPLE

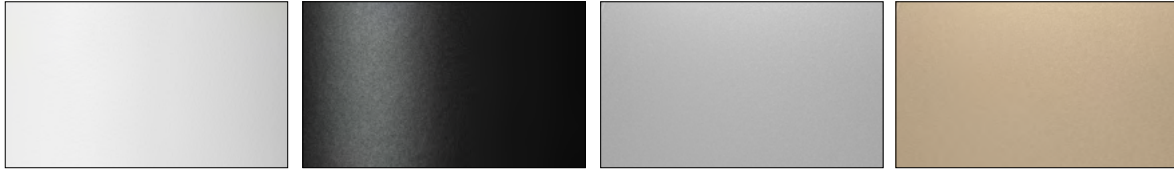
Calculation Point Distance from Ceiling	Footcandles									
	Fixtures 3' from Wall			Fixtures 3.5' from Wall			Fixtures 4' from Wall			
	3' OC	3.5' OC	4' OC	3' OC	3.5' OC	4' OC	3' OC	3.5' OC	4' OC	
1'-0"	3"	4 4 4	4 4 4	5 4 5	3 3 3	4 3 4	4 4 4	3 3 3	3 3 3	3 3 3
	6"	6 6 6	6 6 6	7 6 7	4 4 4	5 5 5	5 5 5	4 4 4	4 4 4	4 4 4
	9"	9 10 9	10 9 10	10 9 10	7 7 7	7 7 7	7 7 7	5 6 5	6 6 5	6 6 6
	12"	12 13 12	12 12 12	13 12 12	9 10 9	9 9 9	9 9 9	7 8 7	7 7 7	7 8 7
2'	14 15 14	14 14 14	14 14 14	10 11 10	11 11 11	11 11 11	8 9 8	8 9 8	8 9 8	
3'	17 18 17	16 17 16	16 16 16	13 15 13	13 14 13	13 13 13	11 12 11	10 11 10	10 11 10	
4'	19 22 19	18 19 18	17 18 17	15 17 15	14 16 14	13 15 13	12 14 12	12 13 12	11 12 11	
5'	19 23 19	18 20 18	17 18 17	16 19 16	15 17 15	14 16 14	13 16 13	13 14 13	12 13 12	
6'	17 20 17	16 19 16	15 17 15	16 19 16	15 17 15	14 16 14	14 16 14	13 15 13	12 14 12	
7'	15 17 15	14 16 14	13 15 13	14 17 15	14 16 14	13 15 13	14 16 14	13 15 13	12 14 12	
8'	13 14 13	12 14 12	11 13 11	13 14 13	12 14 12	11 13 11	13 14 13	12 14 12	11 13 11	
9'	11 12 11	10 12 10	10 11 10	11 13 11	11 12 11	10 12 10	11 13 11	11 12 11	10 12 10	
10'	7 8 7	7 8 7	6 7 6	8 8 8	7 8 7	7 8 7	8 9 8	7 8 7	7 8 7	

IES File: FLC33W-SDO-SW-1500L-SDO-SW-1500L-35K-WWT-CD. Parameters: 80/50/20 reflectances, LLF=.09.

Finishes



STANDARD FINISHES



WHITE WH BLACK BK CLEAR DIFFUSE CD WARM DIFFUSE WD

THE NATURALS (25% SCALE)



LIGHT OAK LOK GRAY ELM GRE CHESTNUT CHT WALNUT WLT WOVEN LINEN WLN