

ID+ 3.5" x 3.5"

LED WALL WASH



FOCAL POINT®



clear diffuse



warm diffuse



titanium silver flange



black flange



white flange



die-cast black

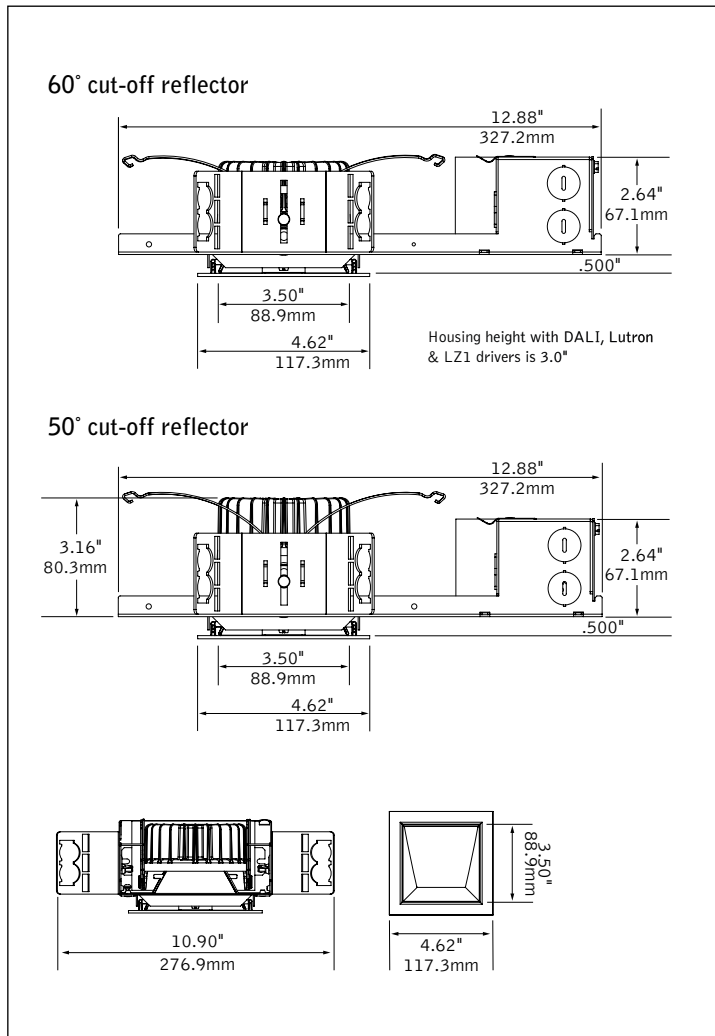


die-cast white



trimless companion

DIMENSIONAL DATA



FEATURES

Less than 2.64" low profile housing available.

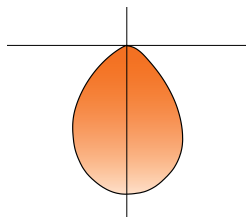
Field adjustability of ceiling thickness from 0.5" - 1.5".

50° cut-off and 60° cut-off reflector options available.

Outdoor rating permits use in outdoor covered ceiling applications.

PoE compatible: Integrates with Power over Ethernet lighting systems via standard, low-voltage wires.

PERFORMANCE



PRODUCT OVERVIEW

Lumen Output: 700-1500lm

Wattage: 9-20W


LPW: 70-81

SDCM: 2

Short 60° Cut-off, Wall Wash, Clear Diffuse, 3500K

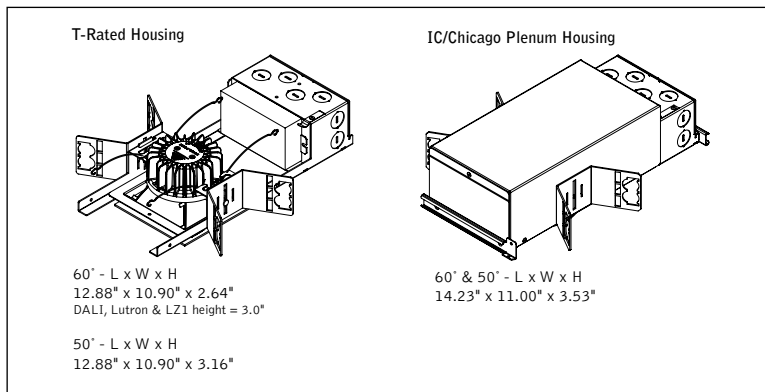
Lumen Output: 1500lm

Total System Watts: 20W



Photometric performance is measured in accordance with IESNA LM-79. Visit focalpointlights.com for complete photometric data. Visit energystar.gov for model specifics.

HOUSING DETAILS



HOUSING SPECIFICATIONS

Construction

Thermally protected housing for new construction applications. Insulation to be kept 3" away from housing. Type IC inherently protected, suitable for direct contact with insulation. Restrictive airflow per ASTM-E283. Butterfly brackets allow mounting to 1/2" emt. Order bar hangers as an accessory. Die-cast aluminum heat sink designed for maximum thermal dissipation. Die-formed housing and integral junction box with (7) 1/2" pry outs. Accommodates ceiling thicknesses up to 0.5" standard, field adjustable up to 1.5" thickness. For thicker ceiling consult factory. Fixture will not exceed 5 lb.

Electrical

Choice of constant current dimming drivers. Power factor > .9 typical. PoE compatible: Integrates with Power over Ethernet lighting systems via standard, low-voltage wires.

Labels

UL and cUL Listed. Suitable for Dry, Damp or Wet Locations, indoor use only. Specify Outdoor rated (OD) for outdoor recessed ceiling applications.

Lumen Maintenance

Reported: L70 at >55,000 hours Calculated: L70 at 420,000 hours
L90 at >55,000 hours L90 at 109,000 hours

Derived from EPA TM-21 calculator. Based on typical conditions, consult factory for additional data.

Reliability

At Focal Point, our products are designed to stand the test of time. Each luminaire is engineered using superior components, manufactured with the utmost care and rigorously tested. Contact us for reliability data.

Warranty

LED System rated for operation in ambient environments up to 25°C. 5-year limited warranty. Fixture with Outdoor rated option must be installed in a covered ceiling and is warranted for operation in ambient environments between -20°C to +40°C.

TRIM & LED SPECIFICATIONS

LED System

Proprietary array incorporates premium LEDs on a robust platform. May be specified in 2700K, 3000K, 3500K or 4000K, CRI>80 or >90. Color accuracy within 2 SDCM. Aluminum heat sink provides appropriate thermal management.

Aesthetics

Die-formed aluminum reflector ensures glare free optics. Reflector attaches to die-cast, seamless flange and may be removed for field painting. Full die-cast painted reflectors also available. Torsion springs pull trim tight to the ceiling with no visible fasteners within the trim.

Optics

50-degree or 60-degree cut-off to light source and its image. Wall wash features acrylic diffuser to provide smooth illumination down the wall.

PERFORMANCE TABLE - see page 3.

HOUSING ORDERING

Housing Series	FLC33W
ID+ 3.5" Square	FLC33W
Trim Type	SO
Square Overlap	SO
Lumen Output	
700 Lumen	700L
900 Lumen	900L
1100 Lumen	1100L
1300 Lumen	1300L
1500 Lumen	1500L
Voltage	
120V	120
277V	277
Low Voltage	LV
Control System & Dimming Level	
0-10V - 0% Dimming	LZ1
0-10V - 1% Dimming	L11
0-10V - 10% Dimming	LD1
Low Voltage, PoE compatible (No driver. LV Voltage only.)	LVN
Forward Phase	LFP
(120V only. 900 & 1300 Lumens only.)	
Lutron Hi-Lume EcoSystem (LDE1) -	
1% Dimming	LH1
(700 & 1500 lumens not available.)	
Lutron 5-Series EcoSystem (LDE5) -	
5% Dimming	LU5
(1300 Lumens only)	
Lutron Hi-Lume - Forward Phase -	
1% Dimming	LTE
(120V only. 1500 lumens not available.)	
DALI - 0% Dimming	DZ1
DALI - 1% Dimming	D11
Housing Type	
IC Rated / Airtight	IC
(Available options: L11, LD1 & LVN: 700 - 1100 Lumens. LFP: 900 & 1300 Lumens.)	
Thermally Protected, Non-IC	T
(LVN 900 Lumen max. Housing height = 3.0" for LZ1, L3D, LH1, LTE, LU5, D11 & DZ1)	
Factory Options	
Bar Hangers	BH
Chicago Plenum	CP
Outdoor Rated	OD
(LD1 driver and T-rated housing only. Not available with CP. See dimming performance table on page 3.)	
TRIM & LED MODULE	
Aperture	LC33
3.5" Square Reflector	LC33
Trim Type	
Square Overlap	SO
Square Die-Cast Overlap	SDO
Lumen Output	
(Trim & housing output must match)	
700 Lumen	700L
900 Lumen	900L
1100 Lumen	1100L
1300 Lumen	1300L
1500 Lumen	1500L
Color Temperature	
2700K, 80+ CRI or 90+ CRI	27K or 927K
3000K, 80+ CRI or 90+ CRI	30K or 930K
3500K, 80+ CRI or 90+ CRI	35K or 935K
4000K, 80+ CRI or 90+ CRI	40K or 940K
Optic	
Tall Cone with 50° cut-off (Not available with Die-Cast trims.)	WWT
Short Cone with 60° cut-off	WWS
Color	
Clear Diffuse (SO trim only)	CD
Warm Diffuse	WD
Black	BK
(Black Flange Finish only with SDO trim)	
White	WH
(White Flange Finish only with SDO trim)	
Flange Finish	
Black Painted	BK
White Painted	WH
Titanium Silver	TS
(SO trim only)	

SQUARE WALL WASH PERFORMANCE TABLE

Lumen Output	Delivered Lumens	System Watts	LPW
700L	706	9	81
900L	855	11	81
1100L	1059	15	70
1300L	1261	18	71
1500L	1477	20	74

Based on Trimless, Short Cone, 3500K, 80CRI, Wide Flood, Clear Diffuse.
Delivered lumen output may vary +/- 5%. Actual wattage may vary +/- 5%

OUTDOOR RATED (OD) DRIVER DIMMING PERFORMANCE TABLE

Lumen Output	Minimum Dimming Level
700L	37%
900L	29%
1100L	23%
1300L	19%
1500L	17%

SQUARE WALL WASH LUMEN MULTIPLIER TABLE

Color Temperature & CRI

Trim Type	Optic	Color Temperature	Multiplier
ALL	ALL	2700K, 80+ CRI [27K]	0.93
		2700K, 90+ CRI [927K]	0.75
		3000K, 80+ CRI [30K]	0.93
		3000K, 90+ CRI [930K]	0.81
		3500K, 80+ CRI [35K]	1.00
		3500K, 90+ CRI [935K]	0.81
		4000K, 80+ CRI [40K]	1.00
		4000K, 90+ CRI [940K]	0.87

Distribution

Trim Type	Optic	Distribution	Multiplier
Square Trimless [ST]	Tall Cone with 50° cut-off [WWT]	Wall Wash	0.77
	Short Cone with 60° cut-off [WWS]	Wall Wash	0.96
Square Overlap [SO]	Tall Cone with 50° cut-off [WWT]	Wall Wash	0.79
	Short Cone with 60° cut-off [WWS]	Wall Wash	0.89
Sqaure Die-Cast Trimless [SDT]	Short Cone with 60° cut-off [WWS]	Wall Wash	1.07
Sqaure Die-Cast Overlap [SDO]	Short Cone with 60° cut-off [WWS]	Wall Wash	0.98

Color

Trim Type	Optic	Color	Multiplier
Square Trimless [ST] and Square Overlap [SO]	Tall Cone with 50° cut-off [WWT] and Short Cone with 60° cut-off [WWS]	Clear Diffuse [CD]	1.00
		Warm Diffuse [WD]	1.02
		White [WH]	1.15
		Black [BK]	0.79
Square Die-Cast Trimless [SDT] and Square Die-Cast Overlap [SDO]	Short Cone with 60° cut-off [WWS]	Warm Diffuse [WD]	0.88
		White [WH]	1.00
		Black [BK]	0.76

Multiplier tables are provided to aid with estimation of lumen levels across options. Apply multipliers against ordered Lumen Output to estimate Delivered Lumens. Refer to IES files for most accurate photometric information.

How To Use Lumen Multipliers

Formula: (Lumen Output Value) x (Color Temperature & CRI) x (Distribution) x (Color)

Example: LC33-SO-1100L-935K-WWS-WH

(1100) x (0.81) x (0.89) x (1.15) ≈ 912 lm (estimated delivered lumens)

ID+ 3.5" x 3.5"

LED WALL WASH

WALL WASH DESIGN GUIDE - 1500 LUMEN EXAMPLE

Distance from ceiling	Footcandles																	
	Fixtures 3' from Wall			Fixtures 3.5' from Wall			Fixtures 4' from Wall			Fixtures 4.5' from Wall								
	3' OC	3.5' OC	4' OC	3' OC	3.5' OC	4' OC	3' OC	3.5' OC	4' OC	3' OC	3.5' OC	4' OC						
1' 0"	3"	2	2	2	2	2	2	2	2	2	2	2	2	2	2	2		
	6"	3	3	3	3	3	3	4	4	4	3	3	3	3	3	3		
	9"	4	4	4	3	3	3	4	4	4	3	3	3	3	3	3		
	12"	5	5	5	4	5	5	4	4	4	3	4	4	4	4	4		
2'	10	10	10	8	8	8	8	8	8	7	7	7	7	7	7	6	6	6
3'	13	13	13	11	11	11	11	11	11	9	9	9	9	9	9	7	7	7
4'	14	14	14	12	13	13	12	12	12	10	10	10	10	10	10	9	9	9
5'	15	15	15	13	13	13	13	13	13	11	11	11	11	11	11	10	10	10
6'	15	15	15	13	13	13	13	13	13	12	12	12	12	12	12	10	10	10
7'	14	14	14	12	12	12	13	13	13	11	11	11	12	12	12	11	10	10
8'	13	13	13	11	11	11	13	13	13	11	11	11	12	12	12	10	10	10
9'	11	11	11	10	10	10	12	12	12	10	10	10	11	11	11	10	10	10
10'	10	10	10	8	8	8	10	10	10	9	9	9	10	10	10	9	9	9

