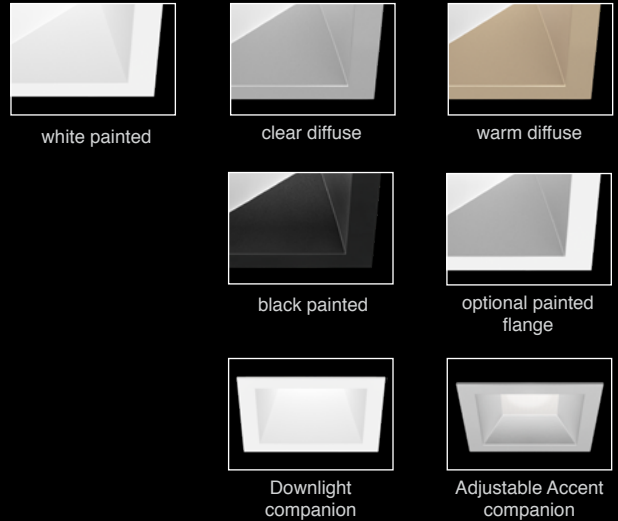
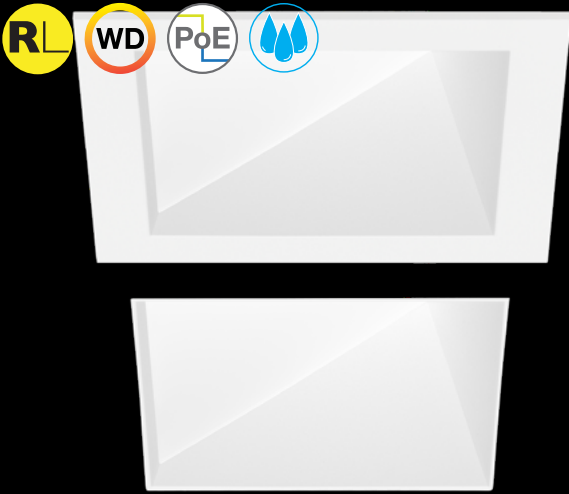


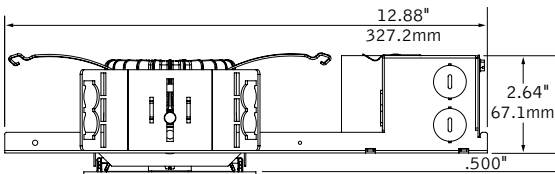
ID+ 3.5" x 3.5"

OVERLAP & TRIMLESS LED WALL WASH



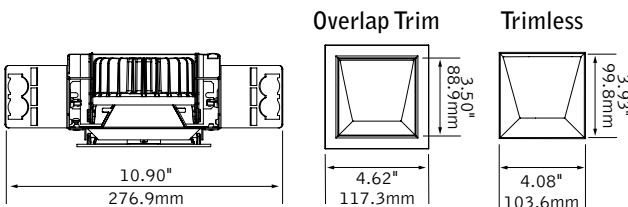
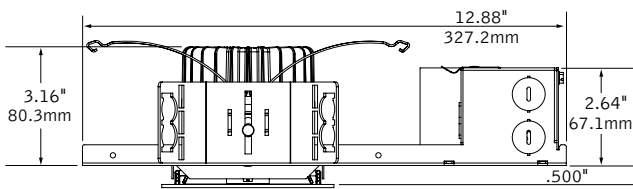
DIMENSIONAL DATA

60° cut-off reflector



Housing height with DALI, Lutron & LZ1 drivers is 3.0"

50° cut-off reflector



FEATURES

Less than 2.64" low profile housing available.

Field adjustability of ceiling thickness from 0.5" - 1.5".

50° cut-off and 60° cut-off reflector options available.

Outdoor rating permits use in outdoor covered ceiling applications.

Warm Dim: Lighting that enhances spaces with a warm glow, reminiscent of incandescent or halogen light sources.

PoE compatible: Integrates with Power over Ethernet lighting systems via standard, low-voltage wires.

PERFORMANCE

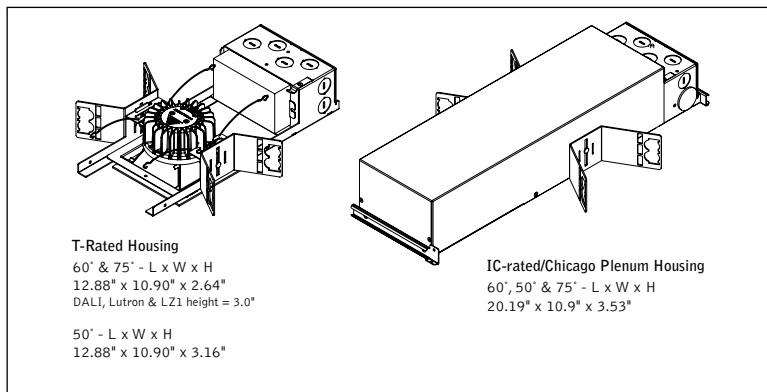
Overlap, Short 60°, Wall Wash,	Trimless, Short 60°, Wall Wash,
Lumen Output: 1500lm	Lumen Output: 1500lm
Total System Watts: 26W	Total System Watts: 26W

Photometric performance is measured in accordance with IESNA LM-79. Visit focalpointlights.com for complete photometric data. Visit energystar.gov for model specifics.

fixture:

project:

HOUSING DETAILS



HOUSING SPECIFICATIONS

Construction

Thermally protected housing for new construction applications. Insulation to be kept 3" away from housing. Type IC inherently protected, suitable for direct contact with insulation. Restrictive airflow per ASTM-E283. Butterfly brackets allow mounting to 1/2" emt. Order bar hangers as an accessory. Die-cast aluminum heat sink designed for maximum thermal dissipation. Die-formed housing and integral junction box with (7) 1/2" pry outs. Accommodates ceiling thicknesses up to 0.5" standard, field adjustable up to 1.5" thickness. For thicker ceiling consult factory. Fixture will not exceed 5 lb. LC33AT trim is inherently airtight and may be used to obtain airtight rating when used with IC-rated or thermally protected, non-IC (T) housings.

Electrical

Choice of constant current dimming drivers. Power factor > .9 typical. PoE compatible: Integrates with Power over Ethernet lighting systems via standard, low-voltage wires.

Labels

UL and cUL Listed. Suitable for Dry, Damp or Wet Locations, indoor use only. Specify Outdoor rated (OD) for outdoor recessed ceiling applications.

Lumen Maintenance

Reported: L70 at >55,000 hours Calculated: L70 at 204,000 hours
L90 at >55,000 hours L90 at 59,000 hours

Derived from EPA TM-21 calculator. Based on typical conditions, consult factory for additional data.

Reliability

At Focal Point, our products are designed to stand the test of time. Each luminaire is engineered using superior components, manufactured with the utmost care and rigorously tested. Contact us for reliability data.

Warranty

LED System rated for operation in ambient environments up to 25°C. 5-year limited warranty. Fixture with Outdoor rated option must be installed in a covered ceiling and is warranted for operation in ambient environments between -20°C to +40°C.

TRIM & LED SPECIFICATIONS

LED System

Proprietary array incorporates premium LEDs on a robust platform. May be specified in 2700K, 3000K, 3500K or 4000K, or Warm Dimming (2700K-1800K and 3000K-1800K), CRI>80, >90 or 97. 3500K and 4000K with CRI>90 have a cyanosis observation index (COI) of 3.3 or less. Color accuracy within 2 SDCM (Warm Dimming from 3-5 SDCM). Aluminum heat sink provides appropriate thermal management.

Aesthetics

Die-formed aluminum reflector ensures glare free optics. Torsion springs pull trim tight to the ceiling with no visible fasteners within the trim.

Optics

50-degree or 60-degree cut-off to light source and its image. Wall wash features acrylic diffuser to provide smooth illumination down the wall.

PERFORMANCE TABLE - see page 3.

HOUSING ORDERING

Housing Series

ID+ 3.5" Square **FLC33W**

Trim Type

Square Die-Cast Overlap **SDO**
Square Die-Cast Trimless **SDT**

Color Options

Standard White, 80 & 90 CRI **SW**
High 97 CRI **HC**
Warm Dim **WDM**
(1100L only: UNV & LV not available.)

Lumen Output

700 Lumen **700L**
900 Lumen **900L**
1100 Lumen **1100L**
1300 Lumen **1300L**
1500 Lumen **1500L**

Voltage

120/277 Volt **UNV**
(IC-rated housing: SW - 1100lm max., HC - 900lm max.
T-rated & TW housings: SW - 700lm max., HC not available.)
120V **120**
277V (T-rated housing only) **277**
Low Voltage **LV**
(IC-rated housing: SW - 1100lm max., HC - 900lm max.
T-rated & TW housings: SW - 700lm max., HC not available.)

Control System & Dimming Level

0-10V - 0% Dimming **LZ1**
0-10V - 1% Dimming **L11**
0-10V - 10% Dimming **LD1**
Low Voltage, PoE Compatible **LVN**
(No driver: LV voltage only)

Forward Phase (120V only)

Lutron Hi-Lume EcoSystem (LDE1) - 1% Dimming **LFP**
Lutron 5-Series EcoSystem (LDE5) - 5% Dimming **LH1**
Lutron Hi-Lume - Forward Phase (120V only) - 1% Dimming **LU5**
DALI - 0% Dimming **LTE**
DALI - 1% Dimming **DZ1**
DALI - 1% Dimming **D11**

Housing Type

IC-Rated / Airtight (LTE 900lm max.) **IC**
Thermally Protected, Non-IC / Airtight **T**
Thermally Protected, Non-IC Wood (wood kit required) **TW**

Factory Options

Bar Hangers **BH**
Chicago Plenum **CP**
Outdoor Rated **OD**

(LD1 driver and T-rated housing only. Not available with CP. See dimming performance table on page 3.)

TRIM & LED MODULE

Aperture

3.5" Square Reflector **LC33**
3.5" Square AirtightReflector **LC33AT**

Trim Type

Square Die-Cast Overlap **SDO**
Square Die-Cast Trimless **SDT**

Color Options

(Trim & housing must match)
Standard White, 80 & 90 CRI **SW**
High 97 CRI **HC**
Warm Dim (1100L only) **WDM**

Lumen Output

(Trim & housing output must match)
700 Lumen **700L**
900 Lumen **900L**
1100 Lumen **1100L**
1300 Lumen **1300L**
1500 Lumen **1500L**

Color Temperature

(Add 9 for 90 CRI or H for 97 CRI. Leave blank for 80 CRI. Examples: 2700K, 97 CRI = H27K. 2700K, 80 CRI = 27K.)

2700K, 80/90/97+ CRI **_27K**
3000K, 80/90/97+ CRI **_30K**
3500K, 80/90/97+ CRI **_35K**
4000K, 80/90/97+ CRI **_40K**
Warm Dim: 2700-1800K, 90+ CRI **92718W**
Warm Dim: 3000-1800K, 90+ CRI **93018W**

Optic

Tall Cone with 50° cut-off **WWT**
Short Cone with 60° cut-off **WWS**

Finish

Clear Diffuse **CD**
Warm Diffuse **WD**
Black **BK**
White **WH**


Optional Flange Finish

(Overlap CD & WD finish only) (For matching finishes leave blank)
Black Painted **BP**
White Painted **WP**

ACCESSORIES

Wood Ceiling Installation Kit **LC33-WOOD-KIT**
(One kit recommended per 10 downlights)

SQUARE WALL WASH PERFORMANCE TABLE

Lumen Output	Delivered Lumens	System Watts	LPW
700L	712	11	64
900L	913	16	56
1100L	1104	19	58
 1100L	1001	25	40
1300L	1299	22	58
1500L	1533	26	59

Based on Overlap, Tall Cone, 3500K, 80 CRI, Clear Diffuse. WDM based on 3000 - 1800K, 90 CRI.
Delivered lumen output may vary +/- 5%. Actual wattage may vary +/- 5%

OUTDOOR RATED (OD) DRIVER DIMMING PERFORMANCE TABLE

Lumen Output	Minimum Dimming Level
700L	15%
900L	11%
1100L	10%
1300L	10%
1500L	10%

Color Temperature & CRI

Trim Type	Optic	Color Temperature	Multiplier
ALL	ALL	2700K 80+ CRI [27K]	0.93
		2700K 90+ CRI [927K]	0.75
		2700K 97 CRI [H27K]	0.67
		3000K 80+ CRI [30K]	0.93
		3000K 90+ CRI [930K]	0.81
		3000K 97 CRI [H30K]	0.72
		3500K 80+ CRI [35K]	1.00
		3500K 90+ CRI [935K]	0.81
		3500K 97 CRI [H35K]	0.73
		4000K 80+ CRI [40K]	1.00
		4000K 90+ CRI [940K]	0.87
		4000K 97 CRI [H40K]	0.75
	2700-1800K 90+ CRI [92718K]	0.91	
	3000-1800K 90+ CRI [93018K]	0.90	

Distribution

Trim Type	Optic	Distribution	Multiplier
Square Die-Cast Trimless [SDT]	Tall Cone with 50° cut-off [WWT]	Wall Wash	1.09
	Short Cone with 60° cut-off [WWS]	Wall Wash	1.32
Square Die-Cast Overlap [SDO]	Tall Cone with 50° cut-off [WWT]	Wall Wash	1.02
	Short Cone with 60° cut-off [WWS]	Wall Wash	1.22

Color

Trim Type	Optic	Color	Multiplier
ALL	Tall Cone with 50° cut-off [WWT]	Clear Diffuse [CD]	1.00
		Warm Diffuse [WD]	0.94
		White [WH]	1.45
		Black [BK]	0.59
	Short Cone with 60° cut-off [WWS]	Clear Diffuse [CD]	1.00
		Warm Diffuse [WD]	0.92
		White [WH]	1.32
		Black [BK]	0.68

Multiplier tables are provided to aid with estimation of lumen levels across options. Apply multipliers against ordered Lumen Output to estimate Delivered Lumens. Refer to IES files for most accurate photometric information.

How To Use Lumen Multipliers

Formula: (Lumen Output Value) x (Color Temperature & CRI) x (Distribution) x (Color)

Example: LC33-SDO-SW-1100L-935K-WWS-WH

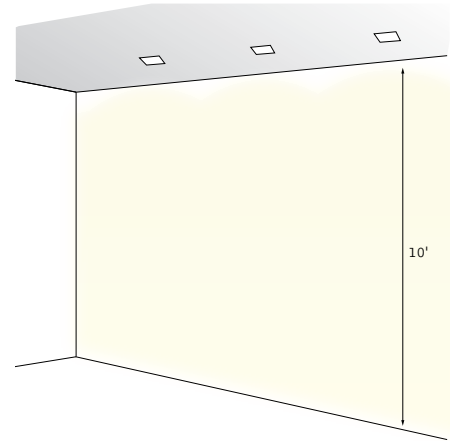
(1100) x (0.81) x (1.32) x (1.32) ≈ 1552lm (estimated delivered lumens)

ID+ 3.5" x 3.5"

LED WALL WASH

WALL WASH DESIGN GUIDE - 1500 LUMEN, SHORT CONE (WWS) EXAMPLE

Calculation Point Distance from Ceiling	Footcandles									
	Fixtures 3' from Wall			Fixtures 3.5' from Wall			Fixtures 4' from Wall			
	3' OC	3.5' OC	4' OC	3' OC	3.5' OC	4' OC	3' OC	3.5' OC	4' OC	
0 - 1'	3"	6 6 6	7 6 7	7 6 7	5 5 5	5 5 5	6 5 6	4 4 4	4 4 4	5 5 5
	6"	9 9 9	10 9 9	10 9 10	7 7 7	8 7 7	8 7 7	6 6 6	6 6 6	6 6 6
	9"	13 14 13	14 13 13	14 13 14	10 11 10	10 10 10	10 10 10	8 9 8	8 8 8	8 9 8
	12"	17 18 17	17 17 17	17 16 17	13 14 12	13 13 13	12 13 12	10 11 10	10 10 10	10 10 10
2'	18 20 19	19 19 19	19 18 19	14 15 14	14 14 14	14 14 14	11 12 11	11 12 11	11 11 11	
3'	25 28 25	24 26 24	23 24 23	19 21 19	18 20 18	17 18 17	15 17 15	14 15 14	14 15 14	
4'	28 32 28	26 29 26	24 26 24	23 27 23	21 24 21	20 22 20	18 21 18	17 20 17	16 18 16	
5'	25 29 25	23 27 23	22 24 22	23 26 23	21 25 21	20 23 20	20 23 20	19 22 19	17 20 17	
6'	20 23 20	19 22 19	18 20 18	20 23 20	19 22 19	18 20 18	19 22 19	18 20 18	17 19 17	
7'	17 19 17	16 18 16	15 17 15	17 19 17	16 18 16	15 17 15	17 19 17	16 18 16	15 17 15	
8'	14 15 14	13 15 13	12 14 12	15 16 15	14 15 14	13 15 13	15 16 15	14 16 14	13 15 13	
9'	12 13 12	11 12 11	11 12 11	12 14 12	12 13 12	11 13 11	13 14 13	12 13 12	11 13 11	
10'	8 8 8	7 8 7	7 8 7	8 9 8	8 9 8	7 8 7	9 9 9	8 9 8	8 9 8	



IES File: FLC33W-SDO-SW-1500L-SDO-SW-1500L-35K-WWS-CD. Parameters: 80/50/20 reflectances, LLF=.09.

WALL WASH DESIGN GUIDE - 1500 LUMEN, TALL CONE (WWT) EXAMPLE

Calculation Point Distance from Ceiling	Footcandles									
	Fixtures 3' from Wall			Fixtures 3.5' from Wall			Fixtures 4' from Wall			
	3' OC	3.5' OC	4' OC	3' OC	3.5' OC	4' OC	3' OC	3.5' OC	4' OC	
0 - 1'	3"	4 4 4	4 4 4	5 4 5	3 3 3	4 3 4	4 4 4	3 3 3	3 3 3	3 3 3
	6"	6 6 6	6 6 6	7 6 7	4 4 4	5 5 5	5 5 5	4 4 4	4 4 4	4 4 4
	9"	9 10 9	10 9 10	10 9 10	7 7 7	7 7 7	7 7 7	5 6 5	6 6 5	6 6 6
	12"	12 13 12	12 12 12	13 12 12	9 10 9	9 9 9	9 9 9	7 8 7	7 7 7	7 8 7
2'	14 15 14	14 14 14	14 14 14	10 11 10	11 11 11	11 11 11	8 9 8	8 9 8	8 9 8	
3'	17 18 17	16 17 16	16 16 16	13 15 13	13 14 13	13 13 13	11 12 11	10 11 10	10 11 10	
4'	19 22 19	18 19 18	17 18 17	15 17 15	14 16 14	13 15 13	12 14 12	12 13 12	11 12 11	
5'	19 23 19	18 20 18	17 18 17	16 19 16	15 17 15	14 16 14	13 16 13	13 14 13	12 13 12	
6'	17 20 17	16 19 16	15 17 15	16 19 16	15 17 15	14 16 14	14 16 14	13 15 13	12 14 12	
7'	15 17 15	14 16 14	13 15 13	14 17 15	14 16 14	13 15 13	14 16 14	13 15 13	12 14 12	
8'	13 14 13	12 14 12	11 13 11	13 14 13	12 14 12	11 13 11	13 14 13	12 14 12	11 13 11	
9'	11 12 11	10 12 10	10 11 10	11 13 11	11 12 11	10 12 10	11 13 11	11 12 11	10 12 10	
10'	7 8 7	7 8 7	6 7 6	8 8 8	7 8 7	7 8 7	8 9 8	7 8 7	7 8 7	

IES File: FLC33W-SDO-SW-1500L-SDO-SW-1500L-35K-WWT-CD. Parameters: 80/50/20 reflectances, LLF=.09.