

ID+ 2.5" Square Housing

FLC22D | FLC22W



FOCAL POINT®



BEFORE YOU BEGIN

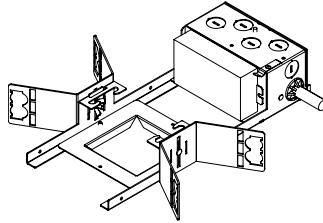
- Luminaires must be installed by a qualified electrician (check with local and national codes for proper installation).
- To prevent electrical shock, disconnect electrical supply before installation or servicing.
- Contractor is responsible for adequately reinforcing walls and/or ceilings to support fixture weight.
- Focal Point, LLC accepts no responsibility for inadequately reinforced walls and/or ceilings.
- The information contained in this drawing is the sole property of Focal Point, LLC. Any reproduction in part or whole without the written permission of Focal Point, LLC is prohibited.



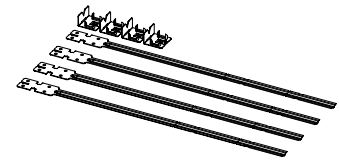
**LUMINAIRE MUST BE INSTALLED PRIOR TO DRYWALL CEILING.
ALL GRID LUMINAIRE MUST BE SECURED TO STRUCTURE ABOVE.**

COMPONENT KEY

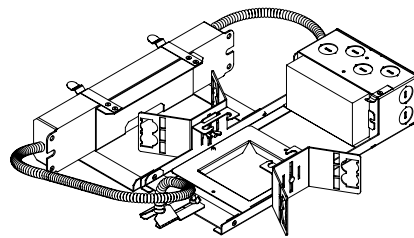
NON-EMERGENCY
THERMALLY PROTECTED, NON-IC



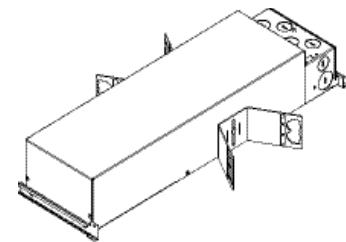
OPTIONAL
BAR HANGERS SOLD SEPARATELY



EMERGENCY
REMOTE TEST SWITCH, NON-IC



IC/CP



INSTRUCTION KEY



ATTENTION



SEE ADDITIONAL INSTRUCTIONS



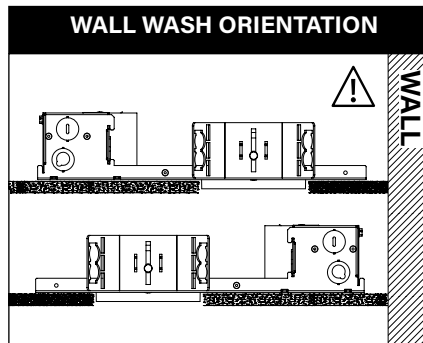
POWER OFF



POWER ON

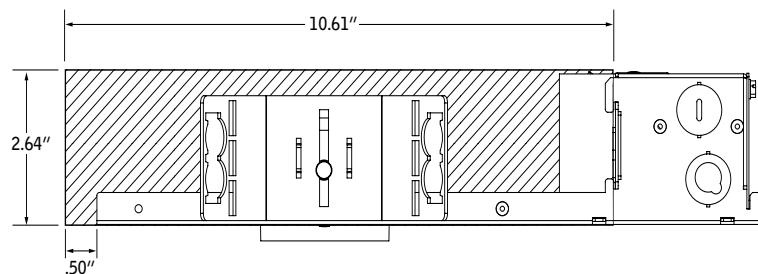


LEVEL

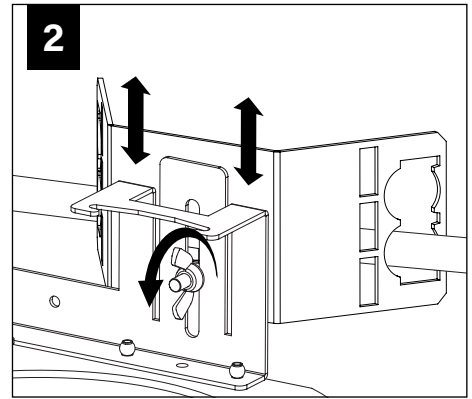
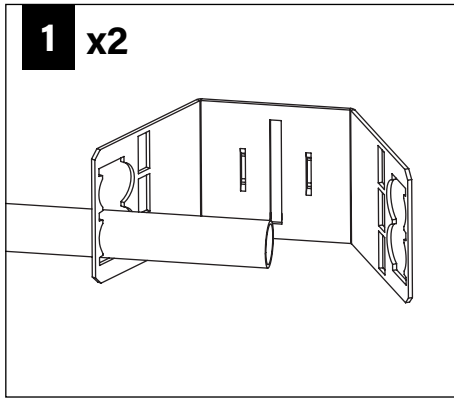
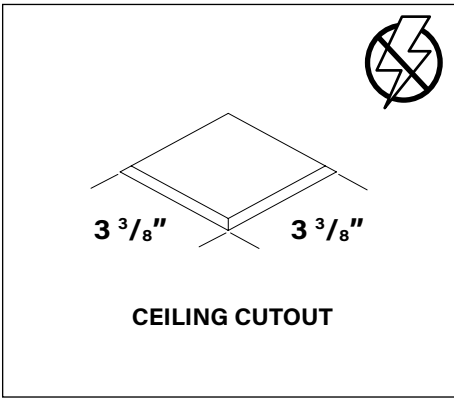


KEEP SHADED AREA FREE FROM OBSTRUCTION ABOVE CEILING

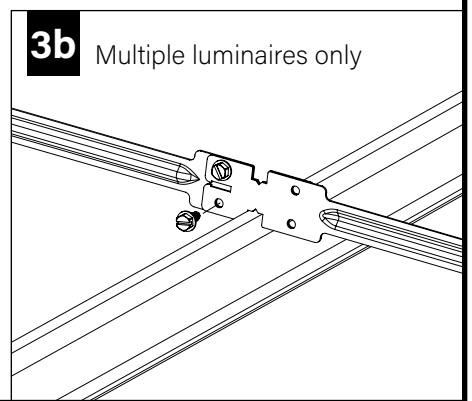
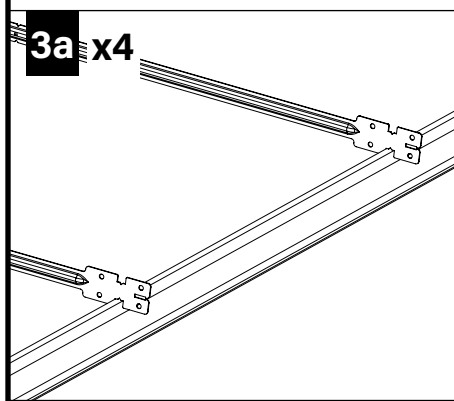
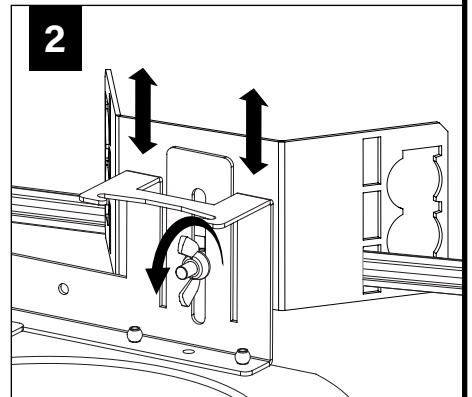
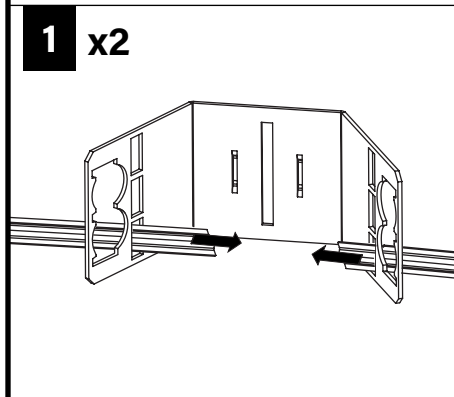
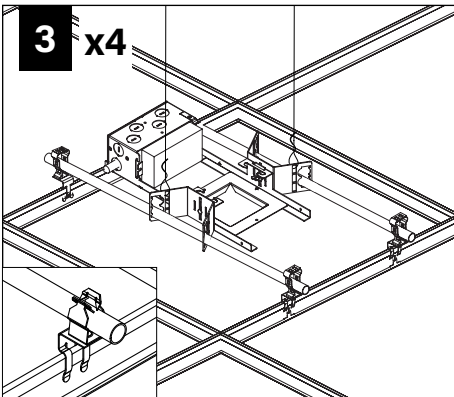
DNS - SHORT CONE
DSS - SUPER SHORT CONE



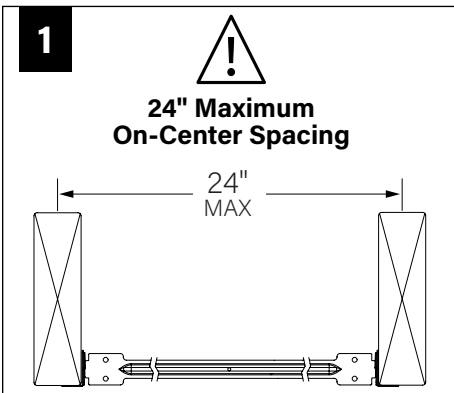
GRID - 1/2" CONDUIT & CLIP (BY OTHERS)



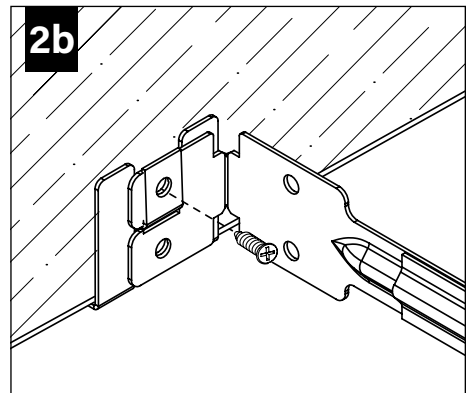
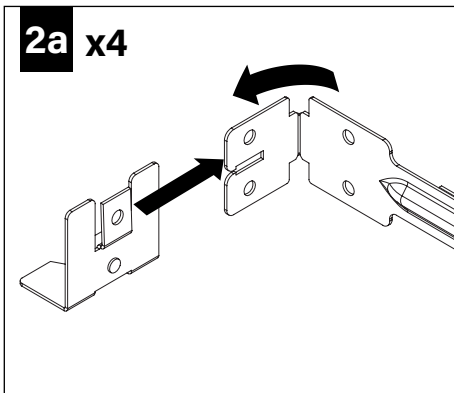
GRID - BAR HANGERS (SOLD SEPARATELY)



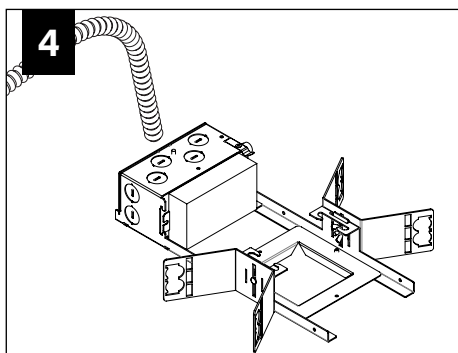
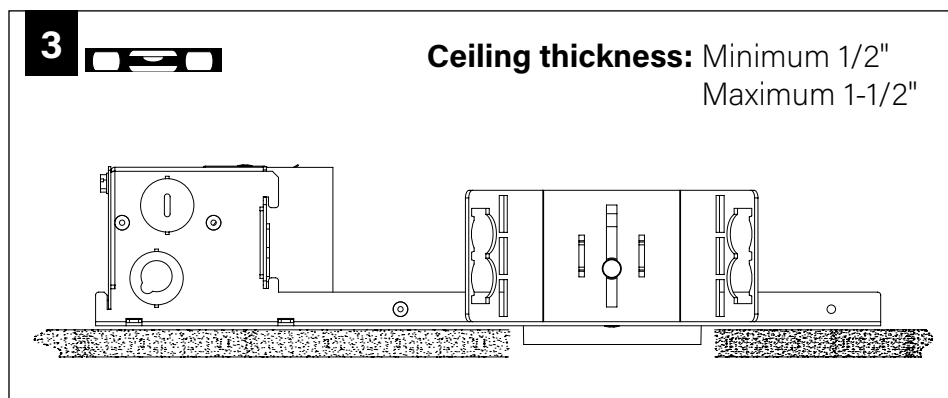
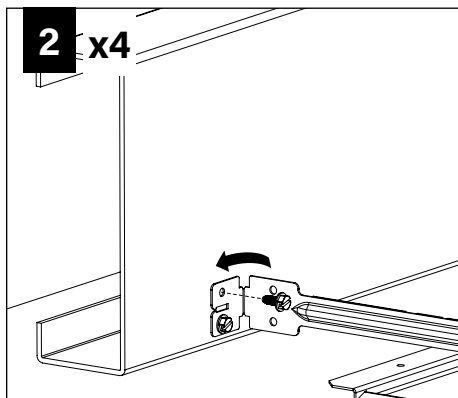
DRYWALL - BAR HANGERS (SOLD SEPARATELY)



WOOD STUDS



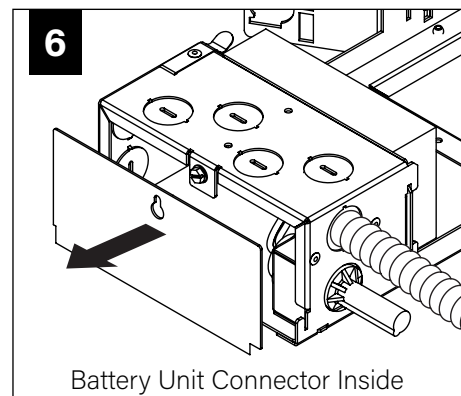
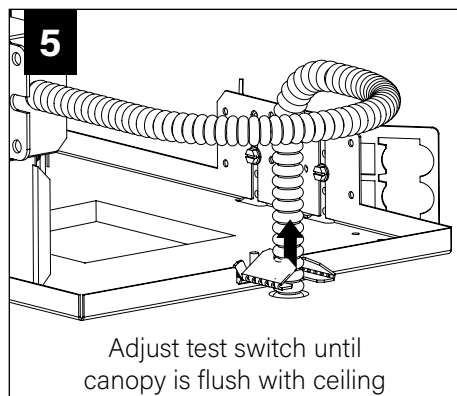
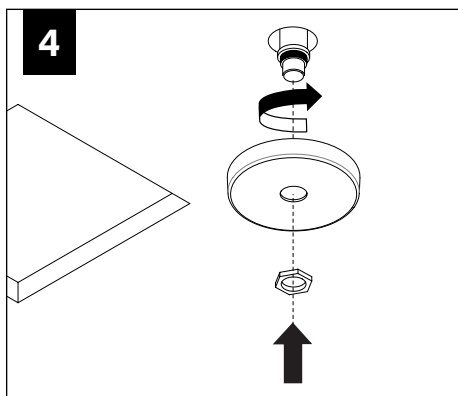
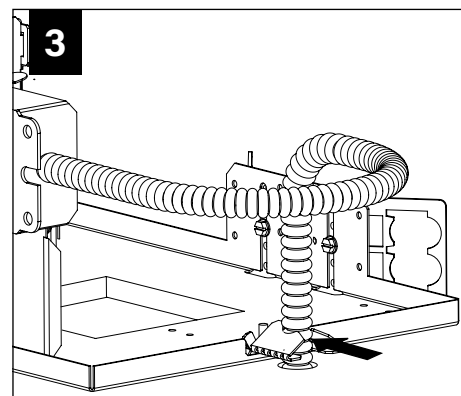
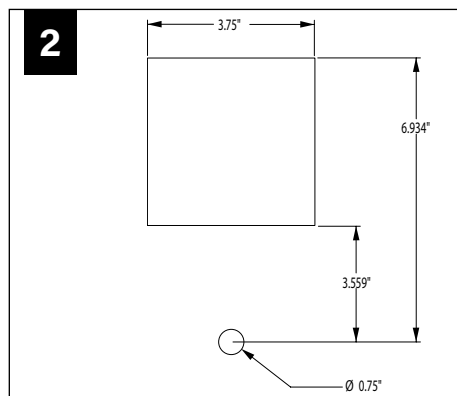
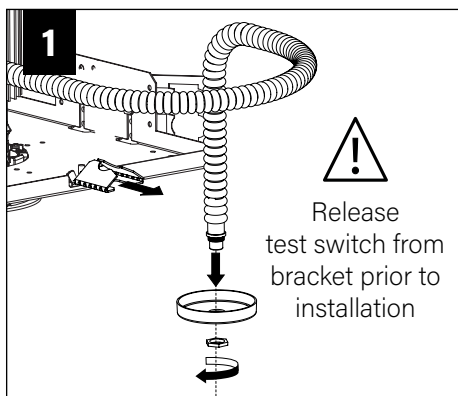
METAL STUDS



MAKE ELECTRICAL CONNECTION

EMERGENCY - REMOTE TEST SWITCH

⚠ ABOVE CEILING ACCESS REQUIRED



7



SEE
BATTERY MANUFACTURER
INSTRUCTIONS.



**DO NOT MATE BATTERY
UNIT CONNECTOR
UNTIL INSTALLATION
IS COMPLETE AND A.C.
POWER IS SUPPLIED**

EM - MOUNTING HEIGHT

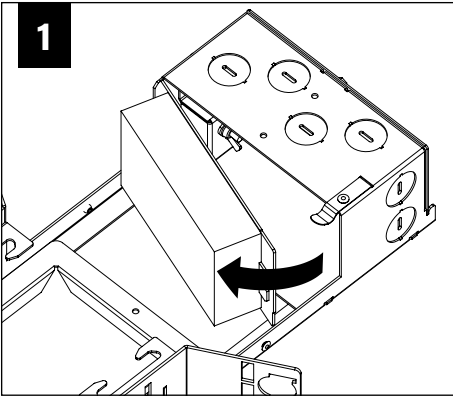


SEE
BATTERY MANUFACTURER
INSTRUCTIONS.

Emergency maximum mounting height:
Downlight: Clear Diffuse & White - 17.2'
Warm Diffuse & Black - 15.5'

DRIVER SERVICE

1



2

