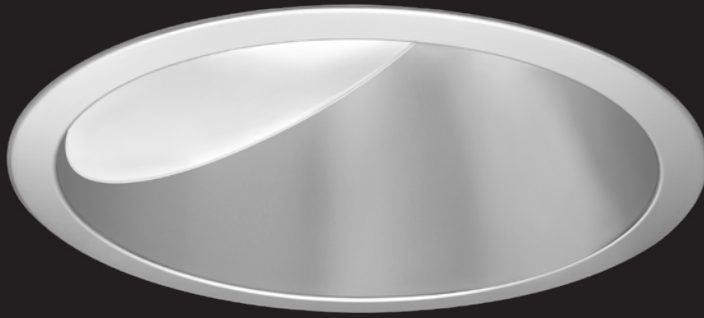


ID+ 8"

LED HIGH CEILING WALL WASH



FOCAL POINT®



non-painted trim

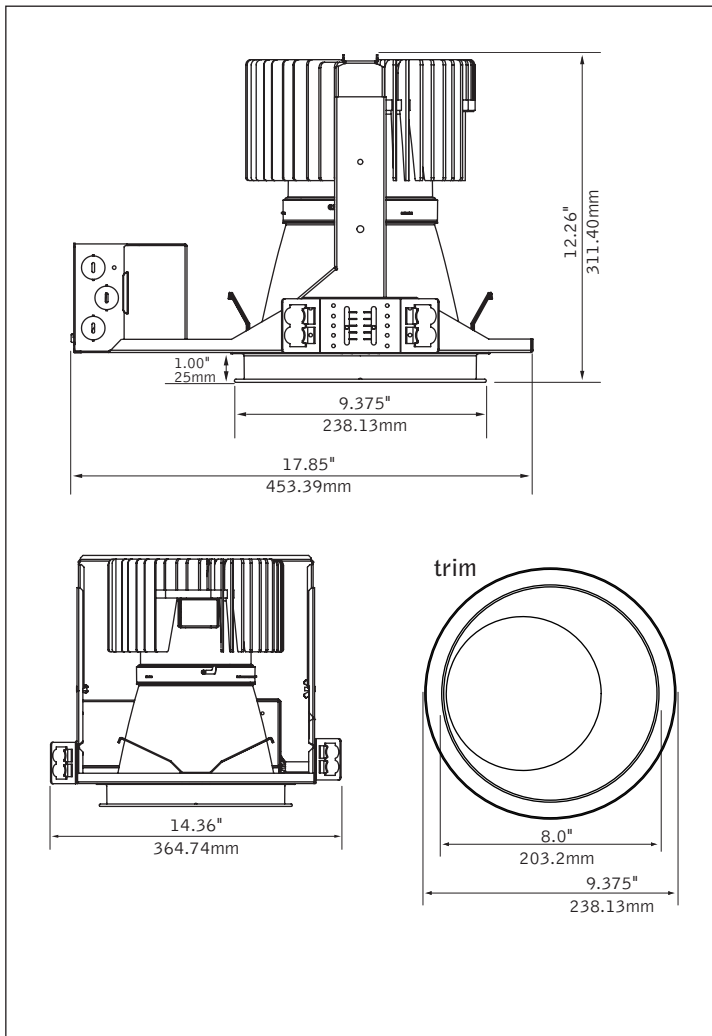


white painted trim



downlight companion

DIMENSIONAL DATA



FEATURES

High ceiling wall wash is ideal for lobbies, atriums and convention centers.

Optical design creates homogenous light source appearance.

Selection of dimming drivers available.

Passive cooling allows silent operation.

Self-flanged Clear Diffuse reflector cone features superior brightness control and 50-degree cutoff to light source and its image.

PERFORMANCE

30° Wall Wash
3000k

Delivered Lumens: 3000lm
Total System Watts: 592W

PRODUCT OVERVIEW

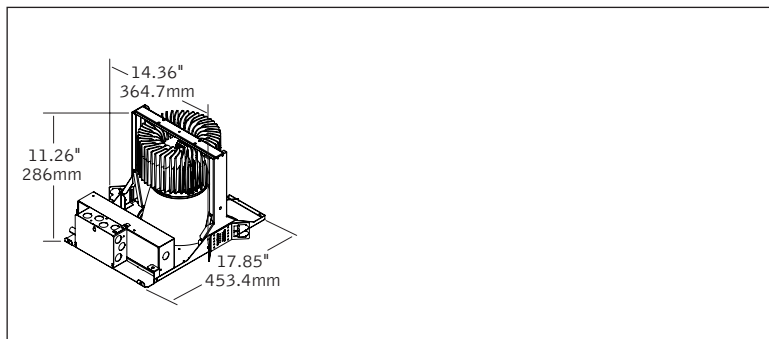
| | |
|--------------------|------------------|
| Lumen Output: | 2000-4000lm |
| Wattage: | 32-85W |
| LPW: | 47-62 |
| SDCM: | 3 |
| Lumen Maintenance: | L70 @ 109,000hrs |

Photometric performance is measured in accordance with IESNA LM-79. Visit focalpointlights.com for complete photometric data.

fixture:

project:

HOUSING DETAIL



HOUSING SPECIFICATIONS

LED System

Proprietary array incorporates premium LEDs on a robust platform. Aluminum heat sink provides appropriate thermal management.

LED Module

Module may be specified in 3000K, 3500K or 4000K, CRI>80. Color accuracy within 2 SDCM. Cree LED features EasyWhite technology for maximum efficacy, color consistency and optical control.

Construction

Thermally protected housing for new construction applications. Insulation to be kept 3" away from housing. Butterfly brackets allow mounting to 1/2 emt. Die-cast aluminum heat sink designed for maximum thermal dissipation. Die-formed housing and integral junction box with (7) 1/2" pry outs. Accommodates ceiling thicknesses up to 1" standard, field adjustable up to 3" thickness. For thicker ceiling consult factory. 18" O.C. fixture to wall and 36" O.C. fixture to fixture spacing required. Unit weight: 17.4 lbs.

Electrical

Choice of constant current dimming drivers. Power factor > .9 typical.

Emergency Battery

Bodine BSL17-C2. Emergency output—7W for 90 minutes for all available models.

Labels

UL and cUL listed. Suitable for Dry or Damp Locations, indoor use only.

Lumen Maintenance

Calculated: L70 at 109,000 hours Reported: L70 at >37,000 hours
 Derived from EPA TM-21 calculator

Warranty

LED System rated for operation in ambient environments up to 45°C. 5-year limited warranty.

TRIM SPECIFICATIONS

Aesthetics

Parabolic reflector cone ensures glare free optics. Reflector is .050 spun aluminum. Torsion springs pull trim tight to the ceiling with no visible fasteners within the trim. Trims are self-flanged. Non-painted trim matches reflector finish. White painted flange may also be specified.

Optics

50-degree cut-off to light source and its image.

PERFORMANCE CHART

| Optic | Delivered Lumens | System Watts | LPW |
|-----------|------------------|--------------|-----|
| Wall Wash | 2000 Lumens | 32 | 63 |
| | 3000 Lumens | 59 | 51 |
| | 4000 Lumens | 86 | 47 |

*Tested with 3000K, Clear Diffuse Reflector. Lumen output may vary +/- 5%. Actual wattage may vary +/- 5%

HOUSING ORDERING

| | | |
|--------------------------|--|--------------------------|
| Housing Series | ID+ 8" Round | FL8H |
| Trim Type | Round Overlap | RO |
| Lumen Output | 2000 Lumens 3000 Lumens 4000 Lumens | 2000L 3000L 4000L |
| Color Temperature | 3000K 3500K 4000K | 30K 35K 40K |
| Distribution | Wall Wash | WW |
| Voltage | 120V 277V | 120 277 |
| Driver | 0-10V - 1% Dimming 0-10V - 0% Dimming DALI - 1% Dimming DMX/RDM - 1% Dimming | L11 LZ1 D11 X11 |
| Housing Type | Thermally Protected, Non-IC | T |
| Factory Options | Chicago Plenum Emergency Battery Pack with Remote Test Switch <small>(Above ceiling access only)</small> | CP EMR |
| TRIM ORDERING | | |
| Aperture | 8" Round Reflector | L8H |
| Trim Type | Round | RD |
| Optic | Wall Wash | WW |
| Color | Clear Diffuse | CD |
| Flange Finish | Non-Painted White Painted | NP WP |

A complete unit consists of two line items, housing and trim
 Example: FL8H-RO-3500L-30K-WW-120-L11-T | L8H-RD-WW-CD-NP