

ID+ 8"

LED HIGH CEILING DOWNLIGHT



non-painted trim

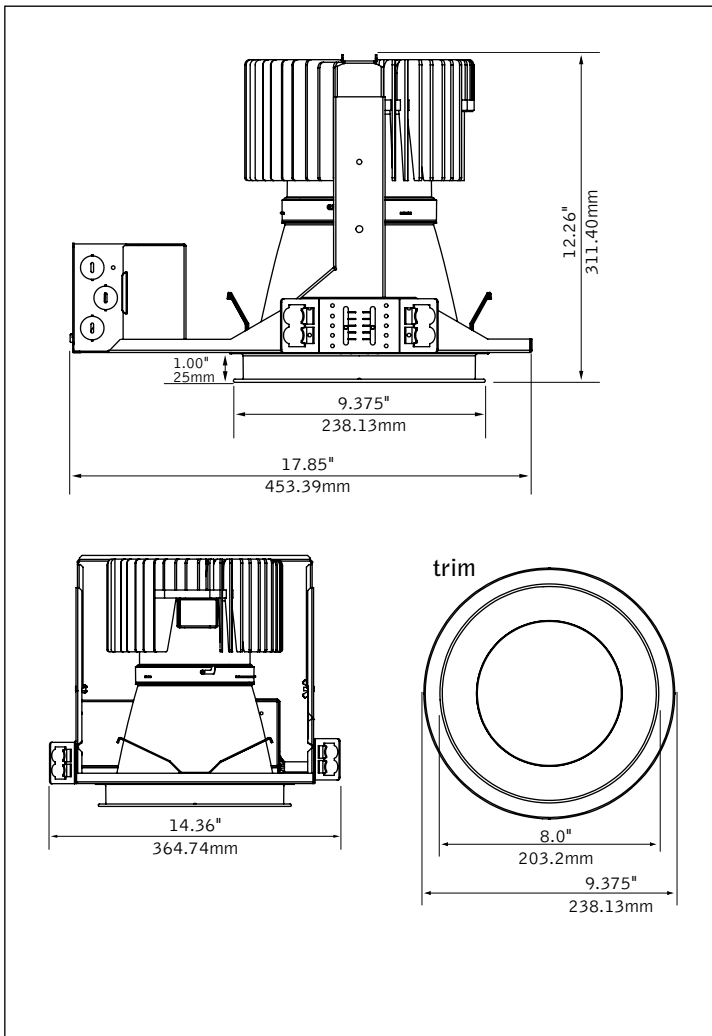


white painted trim



wall wash companion

DIMENSIONAL DATA



FEATURES

High ceiling downlight with a choice of beamspreads is ideal for lobbies, atriums and convention centers.

Optical design creates homogenous light source appearance. Field changeable 30°, 40°, 50° and 60° beams offer design flexibility.

Selection of dimming drivers available.

Passive cooling allows silent operation.

Self-flanged Clear Diffuse reflector cone features superior brightness control and 50-degree cutoff to light source and its image.

Sloped ceiling adaptor available in 10°, 15°, 20°, 25°, 30° and 35° slopes.

PERFORMANCE

Narrow Flood at 0°
3000k

Delivered Lumens: 6000lm

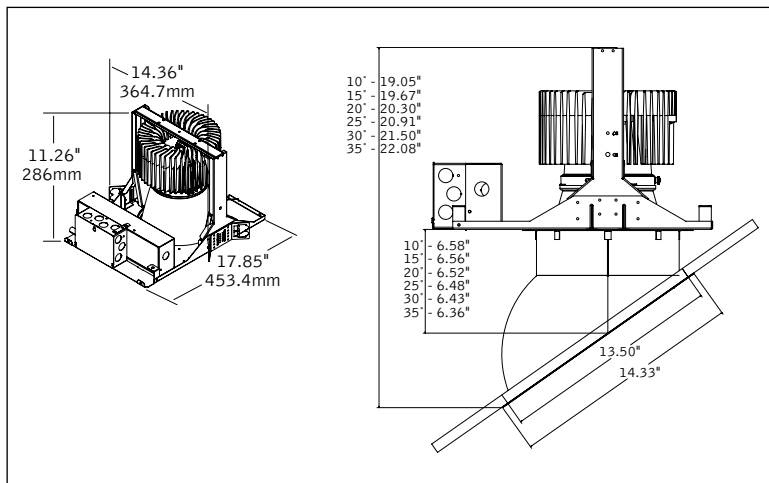
Total System Watts: 72W

PRODUCT OVERVIEW

Lumen Output:	4000-7000lm
Wattage:	45-101W
LPW:	66-89
SDCM:	3
Lumen Maintenance:	L70 @ 109,000hrs

Photometric performance is measured in accordance with IESNA LM-79. Visit focalpointlights.com for complete photometric data.

HOUSING DETAILS



HOUSING SPECIFICATIONS

LED System

Proprietary array incorporates premium LEDs on a robust platform. Aluminum heat sink provides appropriate thermal management.

LED Module

Module may be specified in 3000K, 3500K or 4000K, CRI>80. Color accuracy within 2 SDCM. Cree LED features EasyWhite technology for maximum efficacy, color consistency and optical control.

Construction

Thermally protected housing for new construction applications. Insulation to be kept 3" away from housing. Butterfly brackets allow mounting to 1/2 emt. Die-cast aluminum heat sink designed for maximum thermal dissipation. Die-formed housing and integral junction box with (7) 1/2" pry outs. Standard accommodates ceiling thicknesses up to 1" standard, field adjustable up to 3" thickness. Sloped Ceiling accommodates ceiling thicknesses up to 1". For thicker ceiling consult factory. 18" O.C. fixture to wall and 36" O.C. fixture to fixture spacing required. Unit weight: 17.4 lbs.

Electrical

Choice of constant current dimming drivers. Power factor > .9 typical.

Emergency Battery

Bodine BSL17-C2. Emergency output—7W for 90 minutes for all available models.

Labels

UL and cUL listed. Suitable for Dry or Damp Locations, indoor use only.

Lumen Maintenance

Calculated: L70 at 109,000 hours Reported: L70 at >37,000 hours
 Derived from EPA TM-21 calculator

Warranty

LED System rated for operation in ambient environments up to 45°C. 5-year limited warranty.

TRIM SPECIFICATIONS

Aesthetics

Parabolic reflector cone ensures glare free optics. Reflector is .050 spun aluminum. Torsion springs pull trim tight to the ceiling with no visible fasteners within the trim. Trims are self-flanged. Non-painted trim matches reflector finish. White painted flange may also be specified. Sloped Ceiling adaptor is .055 spun aluminum self-flanged painted white.

Optics

50-degree cut-off to light source and its image.

PERFORMANCE CHART

See page 3

HOUSING ORDERING

Housing Series	ID+ 8" Round	FL8H
Trim Type	Round Overlap	RO
Lumen Output	4000 Lumens 5000 Lumens 6000 Lumens 7000 Lumens	4000L 5000L 6000L 7000L
<small>(Not available with L3D)</small>		
Color Temperature	3000K 3500K 4000K	30K 35K 40K
Distribution	Narrow Flood Flood Wide Flood Very Wide Flood	NFL FL WFL VWFL
Voltage	120V 277V	
Driver	0-10V - 1% Dimming 0-10V - 0% Dimming DALI - 1% Dimming DMX/RDM - 1% Dimming Lutron A-Series - 1% EcoSystem Digital <small>(2) drivers supplied (2) EcoSystem addresses consumed (Consult factory for 3-wire control)</small>	L11 LZ1 D11 X11 L3D
Housing Type	Thermally Protected, Non-IC	T
Factory Options	Chicago Plenum Emergency Battery Pack with Remote Test Switch <small>(Above ceiling access only, Not available with Sloped Ceiling Kits.)</small>	CP EMR
Aperture	8" Round Reflector	L8H
Trim Type	Round	RD
Optic	Downlight	DN
Color	Clear Diffuse	CD
Flange Finish	Non-Painted White Painted	NP WP

ACCESSORIES

(Leave blank for standard ceiling applications)

10° Sloped Ceiling Kit	FL8H-10SC
15° Sloped Ceiling Kit	FL8H-15SC
20° Sloped Ceiling Kit	FL8H-20SC
25° Sloped Ceiling Kit	FL8H-25SC
30° Sloped Ceiling Kit	FL8H-30SC
35° Sloped Ceiling Kit	FL8H-35SC

A complete unit consists of two or three line items, housing, trim and optional accessories
 Example: FL8H-RO-6000L-30K-NFL-120-L1-T | L8H-RD-DN-CD-NP | FL8H-25SC

PERFORMANCE CHART

Optic	Delivered Lumens	System Watts	Distribution	Beamspread	Center Beam Candlepower (CBCP)
Downlight	4000 Lumens	45	NFL	30°	12553
		48	FL	40°	6665
		51	WFL	50°	5298
		52	VWFL	60°	4565
	5000 Lumens	58	NFL	30°	15503
		62	FL	40°	8328
		66	WFL	50°	6615
		67	VWFL	60°	5704
	6000 Lumens	72	NFL	30°	18120
		76	FL	40°	10003
		82	WFL	50°	7942
		83	VWFL	60°	6844
	7000 Lumens	87	NFL	30°	21154
		92	FL	40°	11631
		99	WFL	50°	9278
		101	VWFL	60°	7967

*Tested with 3000K, Clear Diffuse Reflector. Lumen output may vary +/- 5%. Actual wattage may vary +/- 5%

ID+ 8"

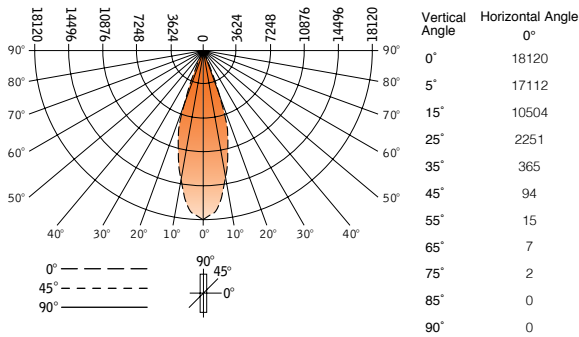
LED HIGH CEILING - NARROW FLOOD

FL8H-RO-6000L-NFL-30K-120-L11/L8H-RD-DN-CD-NP

Filename: FL8HRO6000L30NFL.IES
Test #: 18531.0

Lumens: 5977lm
System Watts: 72W
LPW: 83

CANDLEPOWER DISTRIBUTION



LUMEN SUMMARY

Zone	Lumens	% Fixture	
0-30°	5653	94.6	
0-40°	5882	98.4	
0-60°	5969	98.4	
0-90°	5977	100.0	
Total Luminaire	0-90°	5977	100.0

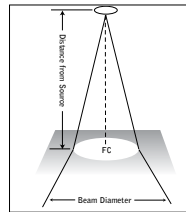
LUMINANCE DATA (CD/M²)

Vertical Angle	0°
45°	4063
55°	820
65°	478
75°	213
85°	0

FOOTCANDLE VALUES

0° aiming angle - horizontal surface

Distance from source	Beam Diameter	Center Beam (FC)
10'	6.4'	125.8
20'	9.6'	55.9
30'	12.9'	31.5
40'	16.1'	20.1
50'	19.3'	14.0



Footcandle results based on AGI32; Reflectances=0/0/0; LLF=1

Go to www.focalpointlights.com for additional photometric data.

ID+ 8"

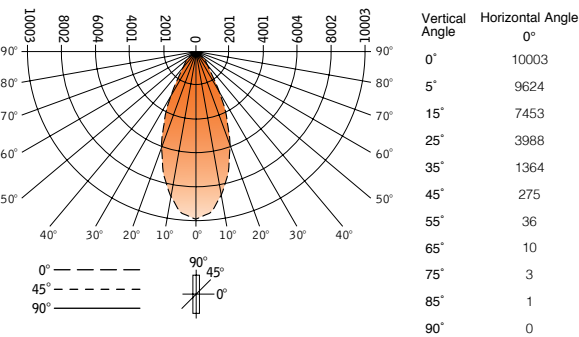
LED HIGH CEILING - FLOOD

FL8H-RO-6000L-FL-30K-120-L11/L8H-RD-DN-CD-NP

Filename: FL8HRO6000L30FL.IES
Test #: 18585.0

Lumens: 6003lm
System Watts: 76W
LPW: 79

CANDLEPOWER DISTRIBUTION



LUMEN SUMMARY

Zone	Lumens	% Fixture	
0-30°	4788	79.8	
0-40°	5694	94.9	
0-60°	5988	99.8	
0-90°	6003	100.0	
Total Luminaire	0-90°	6003	100.0

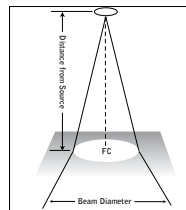
LUMINANCE DATA (CD/M²)

Vertical Angle	0°
45°	11978
55°	1938
65°	752
75°	409
85°	304

FOOTCANDLE VALUES

0° aiming angle - horizontal surface

Distance from source	Beam Diameter	Center Beam (FC)
10'	8.7'	69.5
20'	13.1'	30.9
30'	17.5'	17.4
40'	21.8'	11.1
50'	26.2'	7.7



Footcandle results based on AGI32; Reflectances=0/0/0; LLF=1

Go to www.focalpointlights.com for additional photometric data.

ID+ 8"

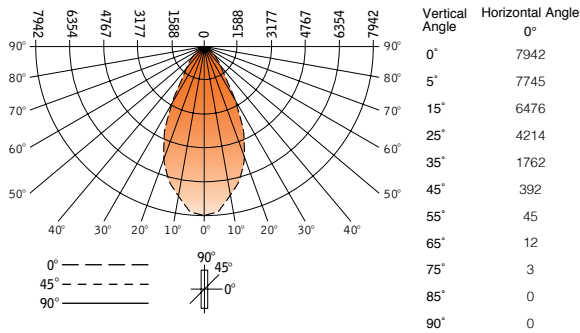
LED HIGH CEILING - WIDE FLOOD

FL8H-RO-6000L-WFL-30K-120-L11-T/L8H-RD-DN-CD-NP

Filename: FL8HRO6000L30WFL.IES
Test #: 18586.0

Lumens: 6000lm
System Watts: 82W
LPW: 73

CANDLEPOWER DISTRIBUTION



LUMEN SUMMARY

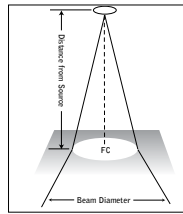
Zone	Lumens	% Fixture
0-30°	4441	74
0-40°	5579	93
0-60°	5985	99.7
0-90°	6000	100.0
Total Luminaire	0-90°	6000 100.0

LUMINANCE DATA (CD/M²)

Vertical Angle	0°
45°	17064
55°	2434
65°	872
75°	407
85°	0

FOOTCANDLE VALUES

0° aiming angle - horizontal surface



Distance from source	Beam Diameter	Center Beam (FC)
10'	11.2'	55.2
20'	16.8'	24.5
30'	22.4'	13.8
40'	28.0'	8.8
50'	33.6'	6.1

Footcandle results based on AGI32; Reflectances=0/0/0; LLF=1

Go to www.focalpointlights.com for additional photometric data.

ID+ 8"

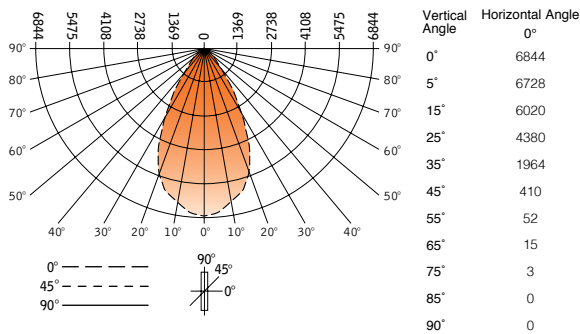
LED HIGH CEILING - VERY WIDE FLOOD

FL8H-RO-6000L-VWFL-30K-120-T/L8H-RD-DN-CD-NP

Filename: FL8HRO6000L30VWFL.IES
Test #: 18533.0

Lumens: 5999lm
System Watts: 83W
LPW: 72

CANDLEPOWER DISTRIBUTION



LUMEN SUMMARY

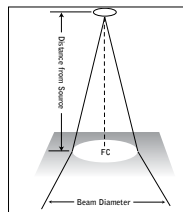
Zone	Lumens	% Fixture
0-30°	4283	71.4
0-40°	5541	92.4
0-60°	5978	99.6
0-90°	5999	100.0
Total Luminaire	0-90°	5999 100.0

LUMINANCE DATA (CD/M²)

Vertical Angle	0°
45°	17834
55°	2812
65°	1126
75°	409
85°	0

FOOTCANDLE VALUES

0° aiming angle - horizontal surface



Distance from source	Beam Diameter	Center Beam (FC)
10'	13.9'	47.8
20'	20.8'	21.2
30'	27.7'	12.0
40'	34.6'	7.6
50'	41.6'	5.3

Footcandle results based on AGI32; Reflectances=0/0/0; LLF=1

Go to www.focalpointlights.com for additional photometric data.