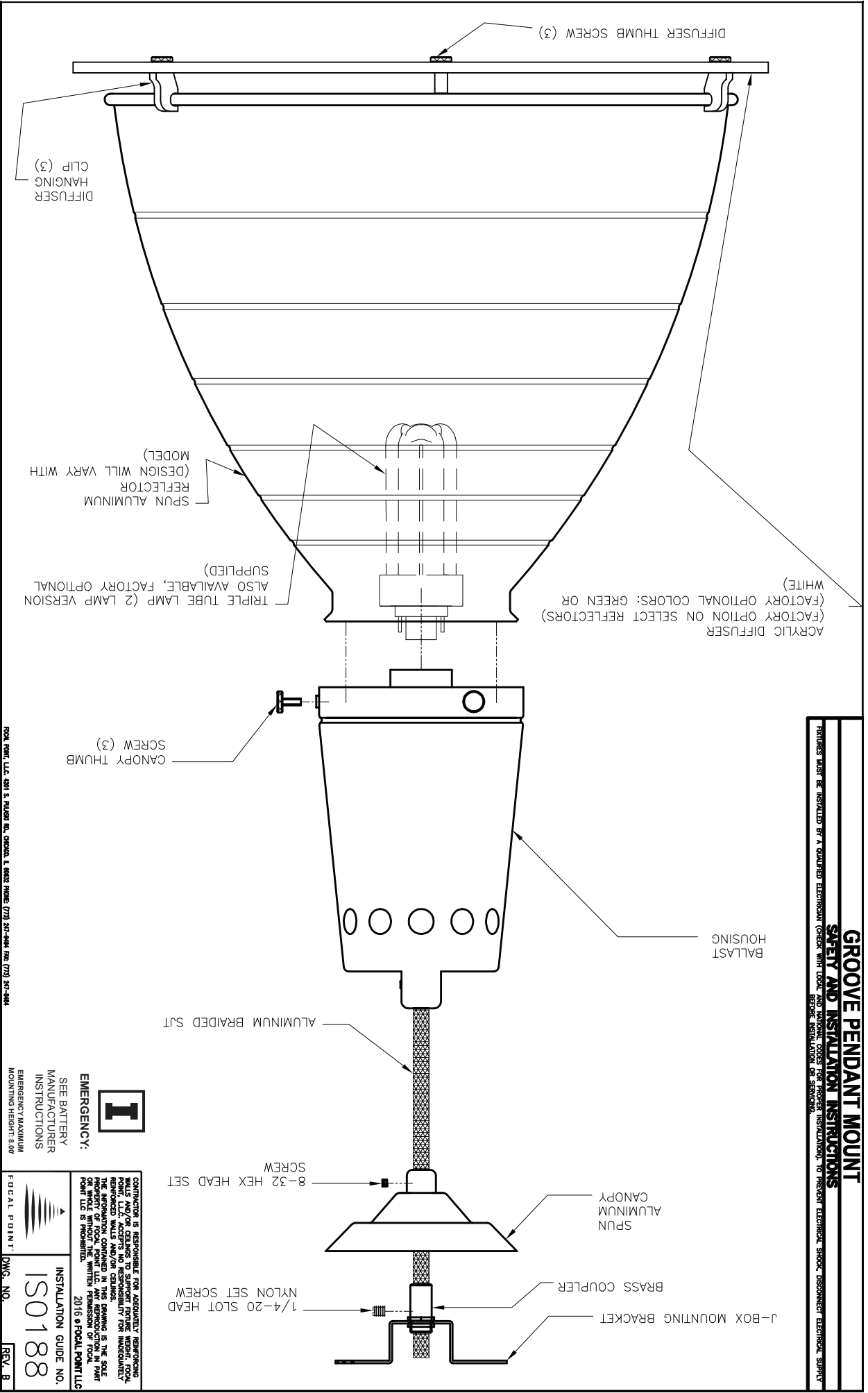
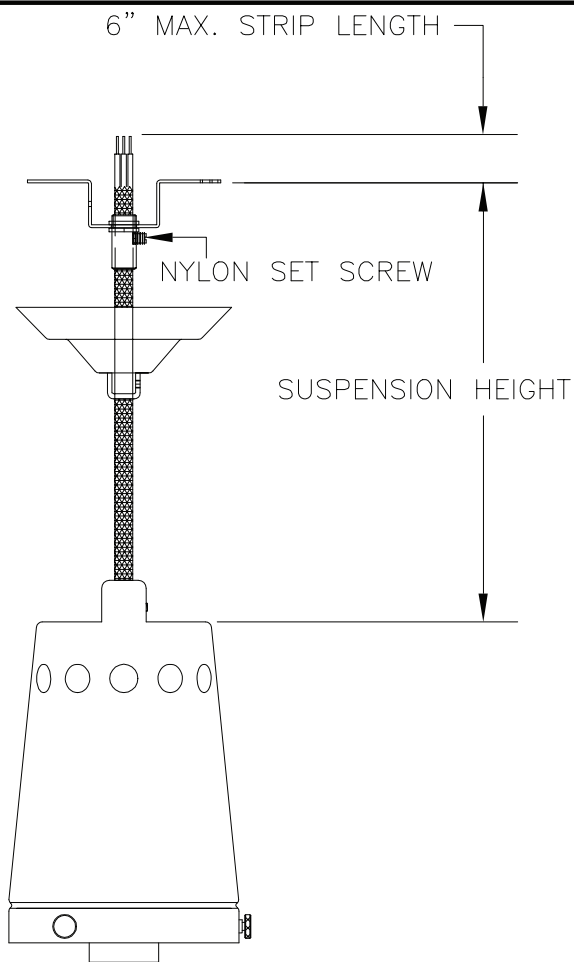
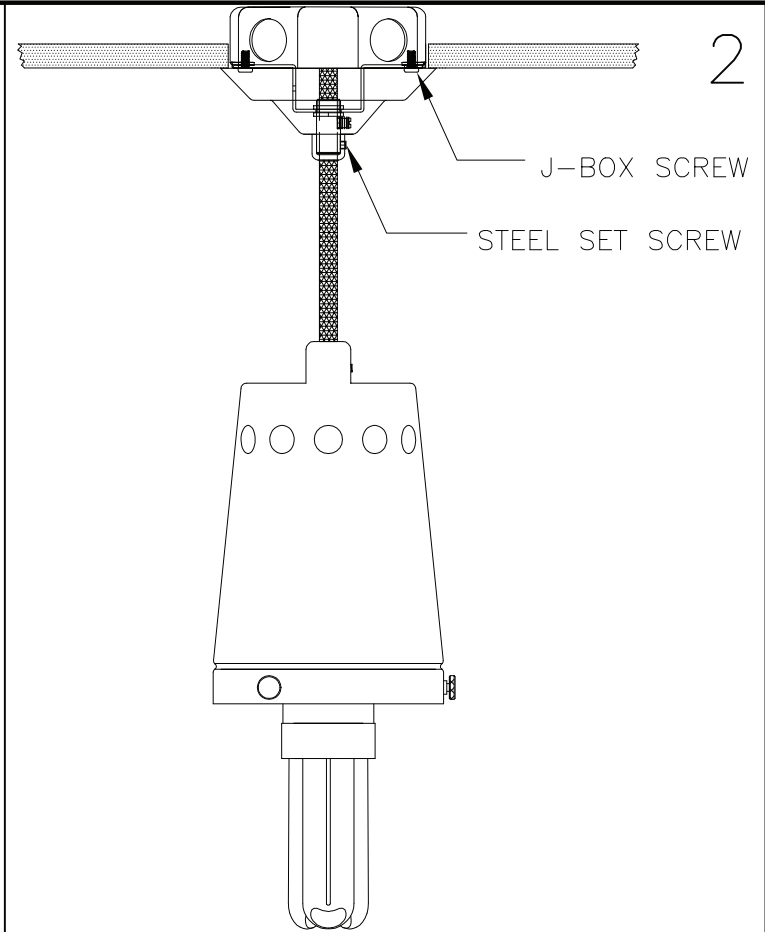


GROOVE PENDANT MOUNT
SAFETY AND INSTALLATION INSTRUCTIONS
FACTORY MUST BE INSTALLED BY A QUALIFIED TECHNICIAN (CHECK WITH LOCAL ELECTRICAL INSULATION) TO PREVENT ELECTRICAL SHOCK. DISCONNECT ELECTRICAL SUPPLY BEFORE INSTALLATION OF SENSORS.





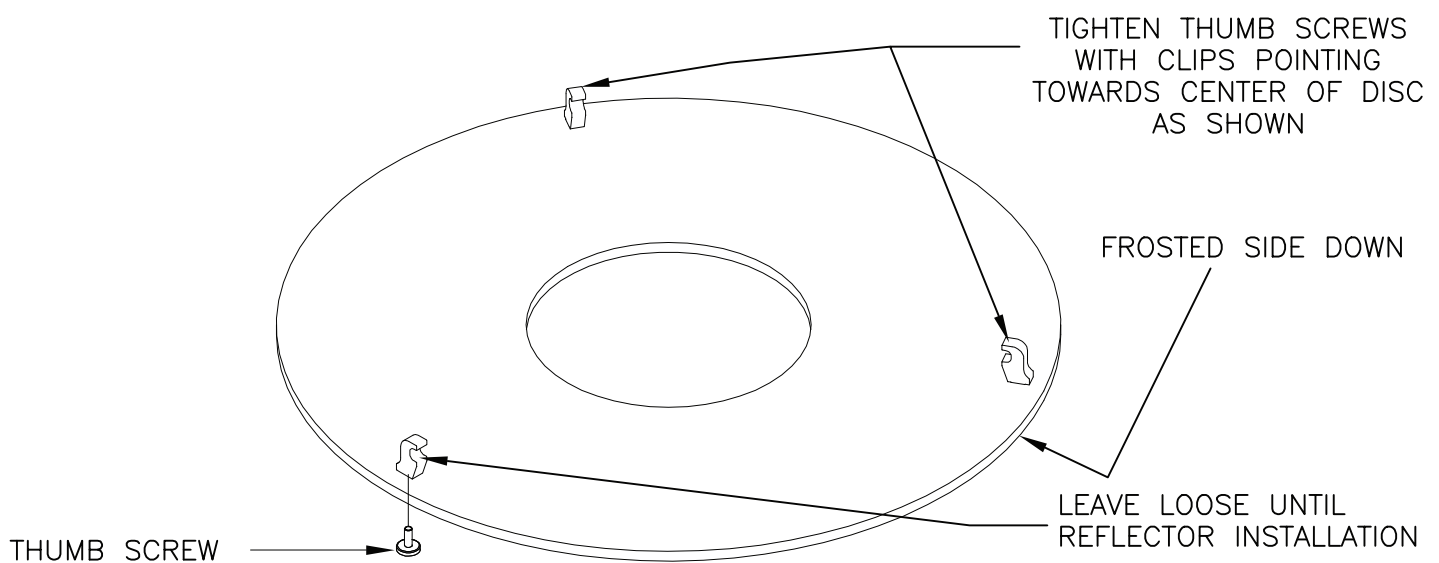
1



2

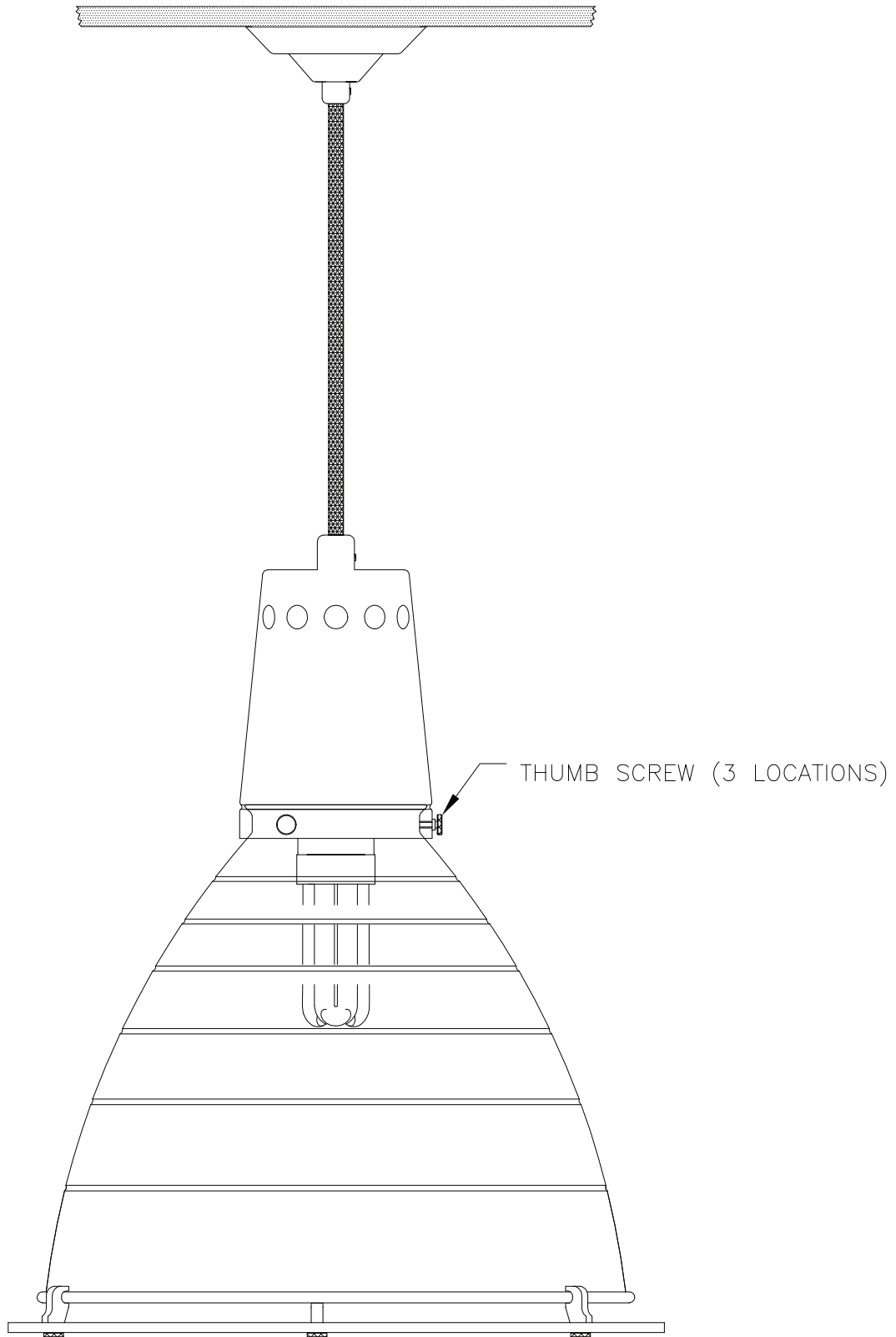
DETERMINE DESIRED SUSPENSION LENGTH. CUT CORD WITH 6" EXCESS (EX. 3' DESIRED SUSPENSION=3'-6" CORD LENGTH). ADJUST J-BOX BRACKET ALONG CORD UNTIL TOP OF BRACKET IS AT DESIRED CEILING SUSPENSION POINT. TIGHTEN BRACKET ONTO CORD WITH NYLON SET SCREW. STRIP CORD ABOVE J-BOX BRACKET WITH IDEAL #45-128 OR EQUAL COAX STRIPPER.

ATTACH J-BOX BRACKET TO J-BOX WITH J-BOX SCREWS (BY OTHERS). MAKE POWER CONNECTIONS. SLIDE CANOPY UP UNTIL FLUSH WITH CEILING, TIGHTEN CANOPY SET SCREW AGAINST BRASS COUPLER (DO NOT OVER TIGHTEN SET SCREW). 1 LAMP FIXTURES: AFTER HOUSING IS SECURE, INSTALL LAMP. 2 LAMP FIXTURES: INSTALL LAMPS AFTER STEP 4 IS COMPLETE. TO INSTALL LAMP: INSERT LAMP INTO SOCKET AND TWIST CLOCKWISE TO LOCK.



3

INSTALLATION OF OPTIONAL ACRYLIC DIFFUSER TO BE COMPLETED BEFORE INSTALLATION OF REFLECTOR ONTO HOUSING. INSERT THUMB SCREWS THROUGH HOLES ON FROSTED SIDE OF DIFFUSER AND SCREW INTO CLIPS. ADJUST CLIPS AS SHOWN BY TIGHTENING 2 OF 3 THUMB SCREWS WITH CLIPS POINTING TOWARD THE CENTER OF THE DISC. SLIDE CURLED EDGE OF REFLECTOR INTO 2 TIGHTENED CLIPS. TURN AND TIGHTEN 3rd CLIP DOWN.



LOOSEN THUMB SCREWS ON HOUSING (3). SLIDE REFLECTOR UP INTO HOUSING SO REFLECTOR NECK MOUNTS FLUSH TO RIDGE IN HOUSING. HAND TIGHTEN THUMB SCREWS FIRMLY AGAINST VERTICAL NECK OF REFLECTOR.