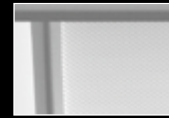


# Equation™ 2 2x2

LED



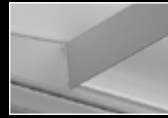
opal acrylic lens



MicroGlow lens

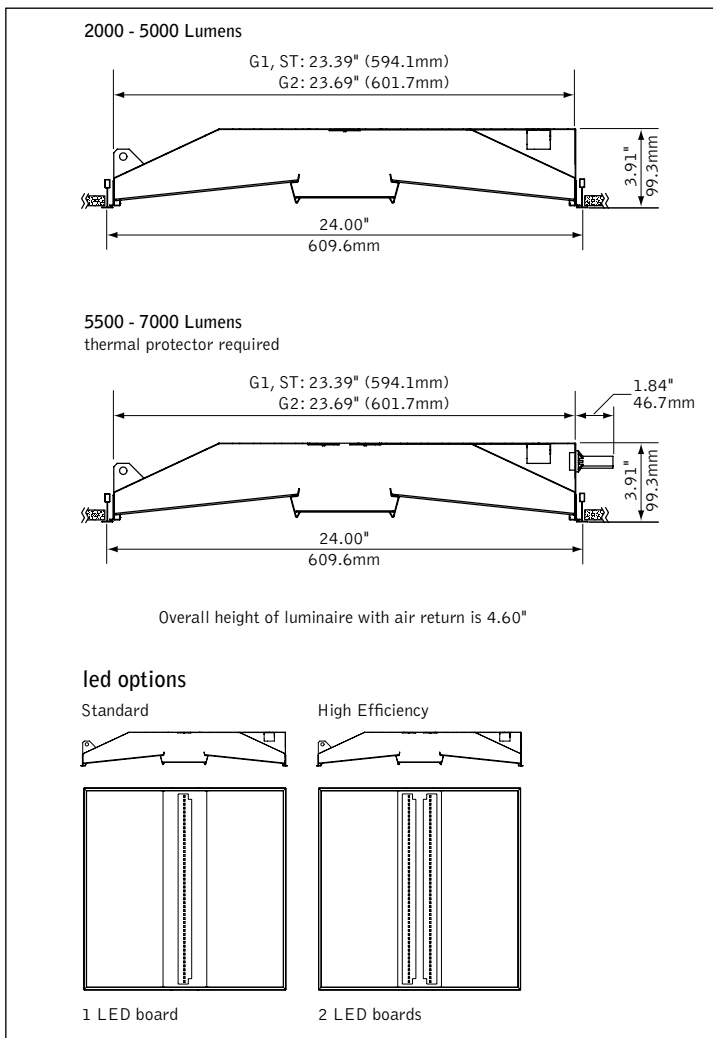


suspended or surface mount



air return

## DIMENSIONAL DATA



## FEATURES

Equation™ 2 blends sleek aesthetics with uniform diffuse illumination.

Center diffuser features MicroGlow prismatic lens for brightness control and visual comfort. Opal acrylic center lens may also be specified.

Premium LEDs operate efficiently to achieve excellent thermal management and reliable operation.

Connected Solutions: Integrates with wired and wireless building lighting control systems.

Preferred Light: Lighting for better color rendition and human preference.

PoE compatible: Integrates with Power over Ethernet lighting systems via standard, low-voltage wires.

## PERFORMANCE

Opal Acrylic Lens

**Delivered Lumens: 3500lm**

**Total System Watts: 35W**

**PRODUCT OVERVIEW**

Lumen Output: 2000-7000lm

Wattage: 20-79W

LPW: 89-109

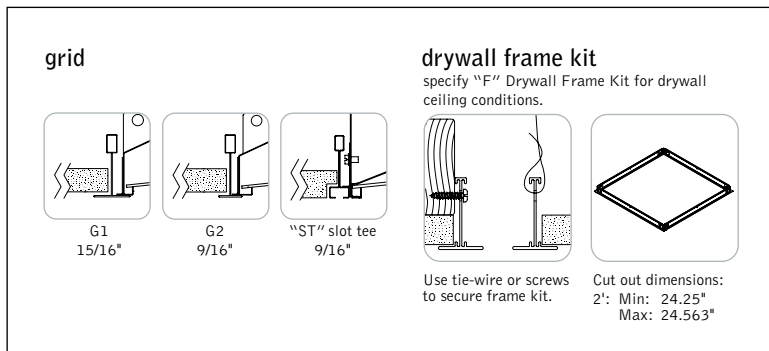
SDCM: 3

Photometric performance is measured in accordance with IESNA LM-79. Visit focalpointlights.com for complete photometric data. Visit designlights.org/QPL for model specifics.

fixture:

project:

**MOUNTING INFORMATION**



**SPECIFICATIONS**

**LED System**

Proprietary linear LED module incorporates premium LEDs on a robust platform to achieve excellent thermal management. LEDs are placed to promote a uniform appearance. Available in 2700K, 3000K, 3500K or 4000K with CRI>80 or CRI>90, 3SDCM, 3500K and 4000K with CRI>90 have a cyanosis observation index (COI) of 3.3 or less. Contact factory for additional color temperature and CRI options. 0-10V dimming driver standard. LED modules and drivers are replaceable from below.

**Construction**

One-piece 24 Ga. steel reflector and housing. Bottom access 24 Ga. steel driver compartment. Positional brackets supplied as standard. Standard weight: 15.4 lbs. Surface-mount/suspended weight: 19 lbs.

**Optic**

24 Ga. steel reflectors finished in matte satin white powder coat. .080" thick frosted white acrylic diffusers. Center shielding options include .080" thick opal acrylic lens or MicroGlow prismatic lens with optical filter overlay.

**Electrical**

Standard 120-277V driver includes 0-10V analog dimming. Power factor > .9. Optional DALI, Lutron EcoSystem or Step-dimming drivers available. PoE compatible: Integrates with Power over Ethernet lighting systems via standard, low-voltage wires.

**Emergency**

Emergency battery output—10 watts for 90 minutes. Emergency Circuit with Connected Solutions (NLT1, ENL1, CLM1, DLM1) requires a UL924 compliant device, consult factory.

**Labels**

UL and cUL listed. Suitable for Dry or Damp Locations, indoor use only.

**Finish**

Polyester powder coat applied over a multi-stage pre-treatment.

**Lumen Maintenance**

Reported: L70 at >61,000 hours      Calculated: L70 at 190,000 hours  
 L80 at >61,000 hours                      L80 at 115,000 hours  
 (Derived from EPA TM-21 calculator. Based on typical conditions, consult factory for additional data.)

**Reliability**

At Focal Point, our products are designed to stand the test of time. Each luminaire is engineered using superior components, manufactured with the utmost care and rigorously tested. Contact us for reliability data.

**Warranty**

LED system rated for operation in ambient environments up to 25°C. 5-year limited warranty.

**PERFORMANCE CHART**

Lumen Output			Tested System Watts			LPW		
2000	2000L	18	106	4000	4000LH	37	105	
	2500L	24	100	4500	4500LH	43	103	
2500	2500LH	23	105	5000	5000LH	49	100	
	3000L	30	97	5500	5500LH	56	94	
3000	3000LH	27	107	6000	6000LH	63	95	
	3500L	36	95	6500	6500LH	71	92	
3500	3500LH	32	107	7000	7000LH	79	89	

Based on 3500K, 80 CRI, Opal Acrylic Lens. Lumen multipliers: Preferred Light = 0.65, 90+ CRI = 0.87, MicroGlow Prismatic Lens = 0.94. Lumen output may vary +/- 5%. Actual wattage may vary +/- 5%.

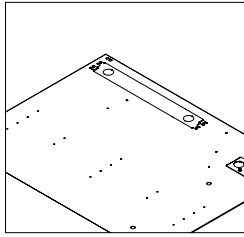
**ORDERING**

Luminaire Series	FEQ2
Equation 2	FEQ2
Nominal Size	22
2' x 2'	22
Shielding	
Opal Acrylic Lens	AC
MicroGlow Prismatic Lens	MG
Lumen Output	
Standard	
2000 Lumens	2000L
2500 Lumens	2500L
3000 Lumens	3000L
3500 Lumens	3500L
High Efficiency	
2500 Lumens	2500LH
3000 Lumens	3000LH
3500 Lumens	3500LH
4000 Lumens	4000LH
4500 Lumens	4500LH
5000 Lumens	5000LH
5500 Lumens*	5500LH
6000 Lumens*	6000LH
6500 Lumens*	6500LH
7000 Lumens* (*Grid, Slot Tee Only)	7000LH
Color Temperature	
2700K, 80+ CRI or 90+ CRI	27K or 927K
3000K, 80+ CRI or 90+ CRI	30K or 930K
3500K, 80+ CRI or 90+ CRI	35K or 935K
4000K, 80+ CRI or 90+ CRI	40K or 940K
3500K, Preferred Light	P35K
Circuit	1C
Single Circuit	1C
Voltage	
UNV 120/277 Volt (Not available with 5500LH, 6000LH, 6500LH & 7000LH)	UNV
120 Volt	120
277 Volt	277
347 Volt (Not available with SD5, CLM1, DLM1, ENL1 or NLT1. Transformer required for all drivers except LD1.)	347
Low Voltage	LV
Control System & Dimming Level	
0-10V - 10% Dimming	LD1
0-10V - 1% Dimming	L11
Low Voltage, PoE compatible (No driver. Not available with EM. LV Voltage only.)	LVN
Lutron Hi-Lume EcoSystem (LDE1) - 1% Dimming	LH1
DALI - 1% Dimming	D11
Step Dimming	SD5
Acuity nLight - 1% Dimming (Not available with EM or CP)	NLT1
Enlighted Smart Sensor - 1% Dimming	ENL1
Encelium CLM Connected Lighting Module - 1% Dimming (Compatible with Encelium X Light Management System. Not available with EM.)	CLM1
Wattstopper DLM - 1% Dimming (Not available with EM.)	DLM1
Mounting	
24" Aircraft Cable	C24
48" Aircraft Cable	C48
96" Aircraft Cable	C96
Drywall Frame Kit (NLT1, ENL1, CLM1 & DLM1 not available) (Cut out dimensions: Min: 24.25"/Max: 24.563")	F
15/16" Grid	G1
9/16" Grid	G2
Slot Tee	ST
Surface Mount (NLT1 & DLM1 not available)	SM
Factory Options	
Air Return (Overall height with Air Return is 4.62"-4.89")	AR
Chicago Plenum	CP
Emergency Battery with Integral Test Switch (Cannot combine with 347V Not available with 5500LH, 6000LH, 6500LH & 7000LH)	EM
6' New York City Flex Whip (120V)	FNY1
6' New York City Flex Whip (277V)	FNY2
6' Flex Whip	FW
Finish	
Matte Satin White	WH



Options in orange qualify for the Quickship program. 5-day up to 100 pieces, 10-day up to 300 pieces. Refer to Quickship Guide for complete details.

Focal Point provides flexibility in meeting the needs of each project by integrating with several building lighting control systems. A variety of sensors, drivers and other components can be specified that allow the luminaires to communicate with wired and wireless networks. All zoning can be digitally reconfigured through the application software. Daylight harvesting, occupancy sensing, integration with HVAC systems, and individual controls enable the monitoring and modulating of light levels and temperature in order to save energy, reduce costs and maximize occupants' comfort. All Connected Solutions luminaires require a compatible building control system.†



nLight® provides a two-way wired digital lighting system allowing for on/off and dimming functionality, occupancy sensing, and multi-zone daylight harvesting.

Acuity nLight - 1% Dimming (NLT1)  
Acuity Model #nEPS-60-IO

CAT-5 Cable provided by others. Serial labels will be provided on outside of luminaires and control unit.



Enlighted smart sensor allows for occupancy sensing, daylight harvesting, energy usage, temperature and light level control. Communicates wirelessly with the Enlighted network.

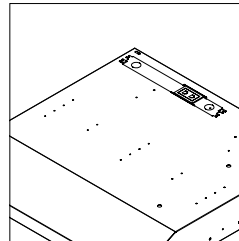
Enlighted Smart Sensor - 1% Dimming (ENL1)  
Enlighted Model #SU-5E-IOT



Encelium's Connected Lighting Module (CLM) is fully compatible with the Encelium X Light Management System, as well as with 0-10V and DALI based LED drivers to allow for individual luminaire control, including on/off and dimming functionalities, occupancy sensing, and multi-zone daylight harvesting.

Encelium CLM - 1% Dimming (CLM1)  
Encelium Model #ZBHA-CLM-DIM-ENC

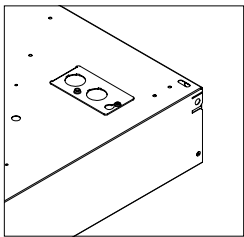
Serial labels will be provided on outside of luminaires and control unit.



A Digital Lighting Management (DLM) system that provides two-way wired communication between networked luminaires and control system to allow for on/off and dimming functionality, occupancy sensing and multi-zone daylight harvesting.

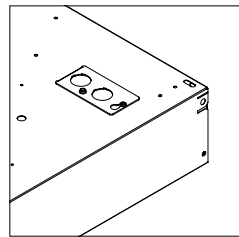
Wattstopper DLM - 1% Dimming (DLM1)  
Wattstopper Model #LMFC-011

CAT-5 Cable provided by others. Serial labels will be provided on outside of luminaires and control unit.



A two-way digital network that enables on/off and dimming functionality, occupancy sensing, and multi-zone daylight harvesting working with Quantum®, Energi Savr Node™, and Energi TriPak® using EcoSystem® communication protocol.

Lutron Hi-Lume EcoSystem - 1% Dimming (LH1)  
Lutron Model #LDE1



A two-way digital network that enables on/off and dimming functionality, occupancy sensing, and multi-zone daylight harvesting. Communicates with Züm wireless and SpaceBuilder working with Züm hub scheduling or FUSION management.

DALI - 1% Dimming (D11)  
0-10V - 1% Dimming (L11)

Note: 0-10V is not a digital network but is compatible with Crestron Züm™ system.

## CONNECTED SOLUTIONS DETAILS

Connected Solution	Model #	Protocol	Compatible Networks*	Occupancy	Daylight	Temperature Reporting	Communication to Luminaire	Drivers
Acuity nLight (NLT1)	nEPS-60-IO**	nLight	nLight	Enabled	Enabled	No	Wired	<b>eldoLED ECOdrive</b> , eldoLED SOLOdrive
Crestron (D11, L11)	Specified Driver	DALI 0-10V	Crestron Züm Wireless & SpaceBuilder	Enabled	Enabled	No	Wired	<b>eldoLED ECOdrive (DALI)</b> , <b>Advance by Signify (0-10V)</b>
Enlighted Smart Sensor (ENL1)	SU-5E-IOT**	Enlighted RF	Enlighted	Integrated	Integrated	Yes	Wireless	<b>Advance by Signify</b>
Legrand Wattstopper DLM (DLM1)	LMFC-011**	DLM	DLM	Enabled	Enabled	No	Wired	<b>Advance by Signify</b> , Optotronic by eldoLED
Lutron EcoSystem (LH1)	LDE1**	EcoSystem	Quantum, Energi Savr Node, Energi TriPak	Enabled	Enabled	No	Wired	<b>Lutron Hi-Lume</b>
Encelium CLM Connected Lighting Module (CLM1)	ZBHA-CLM-DIM-ENC*	ZigBee	Encelium X Light Management System	Enabled	Enabled	No	Wireless	<b>Optotronic by eldoLED</b> Advance by Signify

\*Not all compatible networks may be listed. \*\*For performance data and additional control system details please visit the connected solutions manufacturer websites. Primary drivers are listed in bold. To specify a particular driver please consult factory. †Controls systems supplied by others.