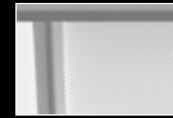


# Equation™ 2 2x2

LED



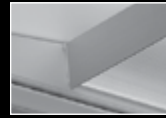
opal acrylic lens



MicroGlow lens

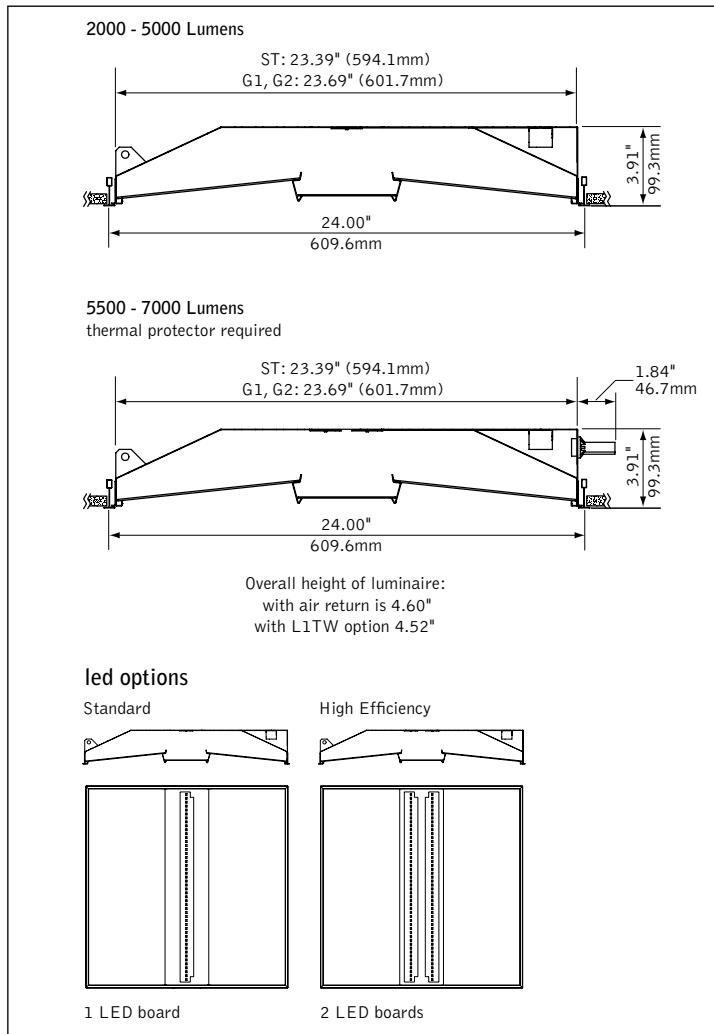


suspended or surface mount



air return

## DIMENSIONAL DATA



## FEATURES

Equation™ 2 blends sleek aesthetics with uniform diffuse illumination.

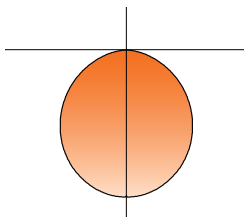
Center diffuser features MicroGlow prismatic lens for brightness control and visual comfort. Opal acrylic center lens may also be specified.

Tunable White: Supports human activity, well-being, and preferences with a light quality that evolves throughout the day.

Connected Solutions: Integrates with wired and wireless building lighting control systems.

PoE compatible: Integrates with Power over Ethernet lighting systems via standard, low-voltage wires.

## PERFORMANCE



**PRODUCT OVERVIEW**

Lumen Output: 2000-7000lm

Wattage: 20-79W

LPW: 89-109

SDCM: 3

Opal Acrylic Lens

**Delivered Lumens: 3500lm**

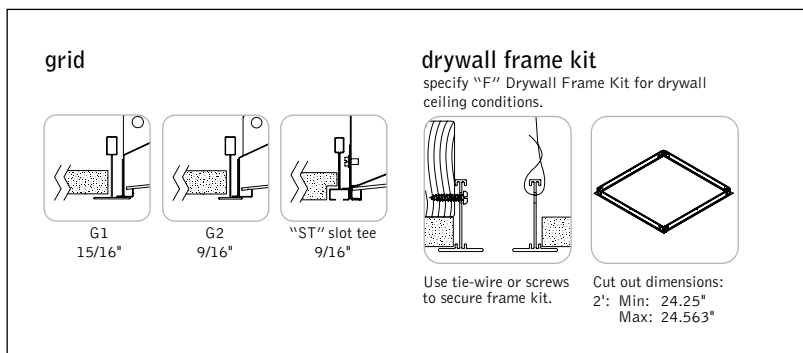
**Total System Watts: 35W**

Photometric performance is measured in accordance with IESNA LM-79. Visit [focalpointlights.com](http://focalpointlights.com) for complete photometric data.

fixture:

project:

**MOUNTING INFORMATION**



**SPECIFICATIONS**

**LED System**

Proprietary linear LED module incorporates premium LEDs on a robust platform to achieve excellent thermal management. LEDs are placed to promote a uniform appearance. Available in 2700K, 3000K, 3500K, 4000K or Tunable White (2700K-6500K), with CRI>80 or CRI>90, 3SDCM. 3500K and 4000K with CRI>90 have a cyanosis observation index (COI) of 3.3 or less. Contact factory for additional color temperature and CRI options. 0-10V dimming driver standard. LED modules and drivers are replaceable from below.

**Construction**

One-piece 24 Ga. steel reflector and housing. Bottom access 24 Ga. steel driver compartment. Positional brackets supplied as standard. Standard weight: 15.4 lbs. Surface-mount/suspended weight: 19 lbs.

**Optic**

24 Ga. steel reflectors finished in matte satin white powder coat. .080\"/>

**Electrical**

Standard 120-277V driver includes 0-10V analog dimming. Power factor > .9. Optional DALI, Lutron EcoSystem or Step-dimming drivers available. PoE compatible: Integrates with Power over Ethernet lighting systems via standard, low-voltage wires.

**Emergency**

Emergency battery output—10 watts for 90 minutes. Emergency Circuit with Connected Solutions (DLM1, LMFS1, LMFS1, NLT1, ENL1, CLM1, NXE1, WLXP) requires a UL924 compliant device, consult factory.

**Labels**

UL and cUL listed. Suitable for Dry or Damp Locations, indoor use only.

**Finish**

Polyester powder coat applied over a multi-stage pre-treatment.

**Lumen Maintenance**

Reported: L70 at >61,000 hours      Calculated: L70 at 190,000 hours  
 L80 at >61,000 hours                      L80 at 115,000 hours  
 (Derived from EPA TM-21 calculator. Based on typical conditions, consult factory for additional data.)

**Reliability**

At Focal Point, our products are designed to stand the test of time. Each luminaire is engineered using superior components, manufactured with the utmost care and rigorously tested. Contact us for reliability data.

**Warranty**

LED system rated for operation in ambient environments up to 25°C. 5-year limited warranty.

**STANDARD WHITE PERFORMANCE CHART**

Lumen Output				Lumen Output			
Tested System Watts		LPW	Tested System Watts		LPW		
2000	2000L	18	4000	4000LH	37	106	105
	2500L	24	4500	4500LH	43	100	103
2500	2500LH	23	5000	5000LH	49	105	100
	3000L	30	5500	5500LH	56	97	94
3000	3000LH	27	6000	6000LH	63	107	95
	3500L	36	6500	6500LH	71	95	92
3500	3500LH	32	7000	7000LH	79	107	89

Based on 3500K, 80 CRI, Opal Acrylic Lens. Lumen multipliers: 90+ CRI = 0.87, MicroGlow Prismatic Lens = 0.94. Lumen output may vary +/- 5%. Actual wattage may vary +/- 5%.

**STANDARD WHITE Luminaire Series**

		FEQ2
Equation 2	FEQ2	
Nominal Size	2' x 2'	22
Shielding	Opal Acrylic Lens	AC
	MicroGlow Prismatic Lens	MG
Lumen Output	2000 Lumens	2000L
	2500 Lumens	2500L
	3000 Lumens	3000L
	3500 Lumens	3500L
Standard Output	2500 Lumens	2500LH
	3000 Lumens	3000LH
	3500 Lumens	3500LH
High Efficiency	4000 Lumens	4000LH
	4500 Lumens	4500LH
	5000 Lumens	5000LH
	5500 Lumens*	5500LH
	6000 Lumens*	6000LH
	6500 Lumens*	6500LH
	7000 Lumens*	7000LH
	(*Grid, Slot Tee Only)	
Color Temperature	2700K, 80+ CRI or 90+ CRI	27K or 927K
	3000K, 80+ CRI or 90+ CRI	30K or 930K
	3500K, 80+ CRI or 90+ CRI	35K or 935K
	4000K, 80+ CRI or 90+ CRI	40K or 940K
Circuit	Single Circuit	1C
Voltage	UNV 120/277 Volt	UNV
	(Not available with 5500LH, 6000LH, 6500LH & 7000LH)	
	120 Volt	120
	277 Volt	277
	347 Volt	347
	(Transformer required for all drivers except LD1 and CLM1. Not available with EM.)	
	Low Voltage	LV
Control System & Dimming Level	0-10V - 10% Dimming	LD1
	(Not Right Light as standard, consult factory)	
	0-10V - 1% Dimming	L11
	Low Voltage, PoE compatible	LVN
	(No driver. Not available with EM. LV Voltage only)	
	Lutron Hi-Lume EcoSystem (LDE1) -	LH1
	1% Dimming	
	DALI - 1% Dimming	D11
	Step Dimming	SD5
	Wattstopper DLM - 1% Dimming*	DLM1
	(Not available with CP)	
	Wattstopper Fixture Sensor*	LMFS1
	Low Density - 1% Dimming	
	Wattstopper Fixture Sensor	LMFSD
	High Density - 1% Dimming	
	Acuity nLight - 1% Dimming*	NLT1
	(Not available with CP)	
	Enlight Smart Sensor - 1% Dimming*	ENL1
	Encelium CLM Connected Lighting Module*	CLM1
	- 1% Dimming	
	Current NX Enabled - 1% Dimming*	NXE1
	(Not available with CP)	
	WaveLinx Pro - 1% Dimming*	WLXP
	*Not available with EM.	
Mounting	24" Aircraft Cable	C24
	48" Aircraft Cable	C48
	96" Aircraft Cable	C96
	Drywall Frame Kit	F
	(Not available with CLM1, DLM1, NLT1 or NXE1)	
	(Cut out dimensions: Min: 24.25"/Max: 24.563")	
	15/16" Grid	G1
	9/16" Grid	G2
	Slot Tee	ST
	Surface Mount	SM
	(Not available with CLM1, DLM1, NLT1 or NXE1)	
Factory Options	Air Return	AR
	(Overall height with Air Return is 4.62"-4.89")	
	Chicago Plenum	CP
	(Not available with flex whip)	
	Emergency Battery	EM
	with Integral Test Switch	
	(Cannot combine with 347V)	
	(Not available with 5500LH, 6000LH, 6500LH & 7000LH)	
	6' New York City Flex Whip (120V)	FNY1
	6' New York City Flex Whip (277V)	FNY2
	6' Flex Whip	FW
Finish	Matte Satin White	WH



Options in orange qualify for the Quickship program. 5-day up to 100 pieces, 10-day up to 300 pieces. Refer to Quickship Guide for complete details.

fixture:

project:

**MOUNTING INFORMATION**

**grid**

G1  
15/16"

G2  
9/16"

"ST" slot tee  
9/16"

**drywall frame kit**  
specify "F" Drywall Frame Kit for drywall ceiling conditions.

Use tie-wire or screws to secure frame kit.

Cut out dimensions:  
2': Min: 24.25"  
Max: 24.563"

**TUNABLE WHITE PERFORMANCE CHART**

Lumen Output		Delivered Lumens	Tested System Watts	LPW
2000	2000L	2001	24	82
2500	2500L	2508	30	83
	2500LH	2510	29	85
3000	3000L	2999	37	81
	3000LH	3000	34	89
3500	3500L	3511	43	81
	3500LH	3503	39	89
4000	4000LH	3999	45	89
4500	4500LH	4508	51	89
5000	5000LH	5008	61	83
5500	5500LH	5501	68	81
6000	6000LH	6003	74	81
6500	6500LH	6516	81	81

Based on 2700K, 80 CRI, Opal Acrylic Lens. Lumen output may vary +/- 5%. Actual wattage may vary +/- 5%.

**Lumen Multipliers**

CRI	Multiplier
80+	1.00
90+	0.89

**Shielding Multiplier**

Shielding	Multiplier
AC	1.00
MG	0.94

**Wattage Multipliers**

CCT	Multiplier
2700K	1.00
3000K	0.92
3500K	0.88
4000K	0.86
5000K	0.85
5700K	0.87
6500K	0.90



**TUNABLE WHITE  
Luminaire Series**

Equation 2	FEQ2	
<b>Nominal Size</b>		<b>22</b>
2' x 2'	22	
<b>Shielding</b>		
Opal Acrylic Lens	AC	
MicroGlow Prismatic Lens	MG	
<b>Lumen Output</b>		
Standard		
2000 Lumens	2000L	
2500 Lumens	2500L	
3000 Lumens	3000L	
3500 Lumens	3500L	
High Efficiency		
2500 Lumens	2500LH	
3000 Lumens	3000LH	
3500 Lumens	3500LH	
4000 Lumens	4000LH	
4500 Lumens	4500LH	
5000 Lumens	5000LH	
5500 Lumens*	5500LH	
6000 Lumens*	6000LH	
6500 Lumens*	6500LH	
(*Grid, Slot Tee Only)		
<b>Color Temperature</b>		
Tunable White: 2700-6500K, 80+ CRI	2765T	
Tunable White: 2700-6500K, 90+ CRI	92765T	
<b>Circuit</b>		<b>1C</b>
Single Circuit	1C	
<b>Voltage</b>		
UNV 120/277 Volt (5000 Lumens max.)	UNV	
120 Volt	120	
277 Volt	277	
<b>Control System &amp; Dimming Level</b>		
0-10V - 1% Dimming (Not available with surface or cable mount. Overall luminaire height increases to 4.52")	L1TW	
Lutron T-Series - 1% Dimming	LT1	
DALI - 1% Dimming (DT6 control. Requires two addresses, one for intensity & one for CCT tuning. Consult factory for DT8.)	D1TW	
<b>Mounting</b>		
24" Aircraft Cable (Not available with L1TW)	C24	
48" Aircraft Cable (Not available with L1TW)	C48	
96" Aircraft Cable (Not available with L1TW)	C96	
Drywall Frame Kit (Cut out dimensions: Min: 24.25"/Max: 24.563")	F	
15/16" Grid	G1	
9/16" Grid	G2	
Slot Tee	ST	
Surface Mount (Not available with L1TW)	SM	
<b>Factory Options</b>		
Air Return (Overall height with Air Return is 4.62"-4.89")	AR	
Chicago Plenum (Not available with flex whip)	CP	
Emergency Battery with Integral Test Switch (4500 Lumen max.)	EM	
6' New York City Flex Whip (120V)	FNY1	
6' New York City Flex Whip (277V)	FNY2	
6' Flex Whip	FW	
<b>Finish</b>		<b>WH</b>
Matte Satin White	WH	

Focal Point provides flexibility in meeting the needs of each project by integrating with several building lighting control systems. A variety of sensors, drivers and other components can be specified that allow the luminaires to communicate with wired and wireless networks. All zoning can be digitally reconfigured through the application software. Daylight harvesting, occupancy sensing, integration with HVAC systems, and individual controls enable the monitoring and modulating of light levels and temperature in order to save energy, reduce costs and maximize occupants' comfort. All Connected Solutions luminaires require a compatible building control system.†

Connected Solution	Ordering Code	Model #**	Protocol	Compatible Networks*	Occupancy & Daylight	Temperature Reporting	Communication to Luminaire	Drivers	
 <b>legrand</b> WATTSTOPPER®		DLM1	LMFC-011	DLM	DLM	Enabled	No	Wired 	<b>Advance by Signify</b> , Optotronic by eldoLED
		LMFS1	LMFS-601 & LMF1-111	DLM Wireless	DLM	Enabled	No	Wireless	<b>Advance by Signify</b>
		LMFSD	LMFS-601						Optotronic by eldoLED (Dexal)
 <b>COOPER</b> Lighting Solutions		WLXP	OEM-WAA	WaveLinx Wireless	WaveLinx Pro Trellix	Enabled	No	Wireless (WaveLinx Pro Wireless Area Controller)	<b>Advance by Signify</b>
 <b>CRESTRON</b>		D11	Specified Driver	DALI	Crestron Züm Wireless & SpaceBuilder	Enabled	No	Wired	<b>eldoLED ECOdrive</b>
		L11		0-10V					<b>Advance by Signify</b>
 <b>ENCELUM</b>		CLM1	ZBHA-CLM-DIM-ENC	ZigBee	Encelium X Light Management System	Enabled	No	Wireless	<b>Optotronic by eldoLED</b> Advance by Signify
 <b>Enlighted</b>		ENL1	SU-5E-IOT	Enlighted RF	Enlighted	Integrated	Yes	Wireless	<b>Advance by Signify</b>
 <b>LUTRON</b>		LH1	LDE1	EcoSystem	Quantum, Energi Savr Node, Energi TriPak	Enabled	No	Wired	<b>Lutron Hi-Lume</b>
 <b>nLIGHT</b>		NLT1	nEPS-60-IO	nLight	nLight	Enabled	No	Wired 	<b>eldoLED ECOdrive</b> , eldoLED SOLOdrive
								Wired 	<b>Optotronic by eldoLED</b>
 <b>NX LIGHTING CONTROLS</b>		NXE1	NXFM-LV	NX	NX Distributed Intelligence	Enabled	No	Wired 	<b>Optotronic by eldoLED</b>

\*Not all compatible networks may be listed. \*\*For performance data and additional control system details please visit the connected solutions manufacturer websites. Primary drivers are listed in **bold**. To specify a particular driver please consult factory. †Controls systems supplied by others.