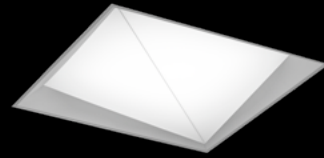
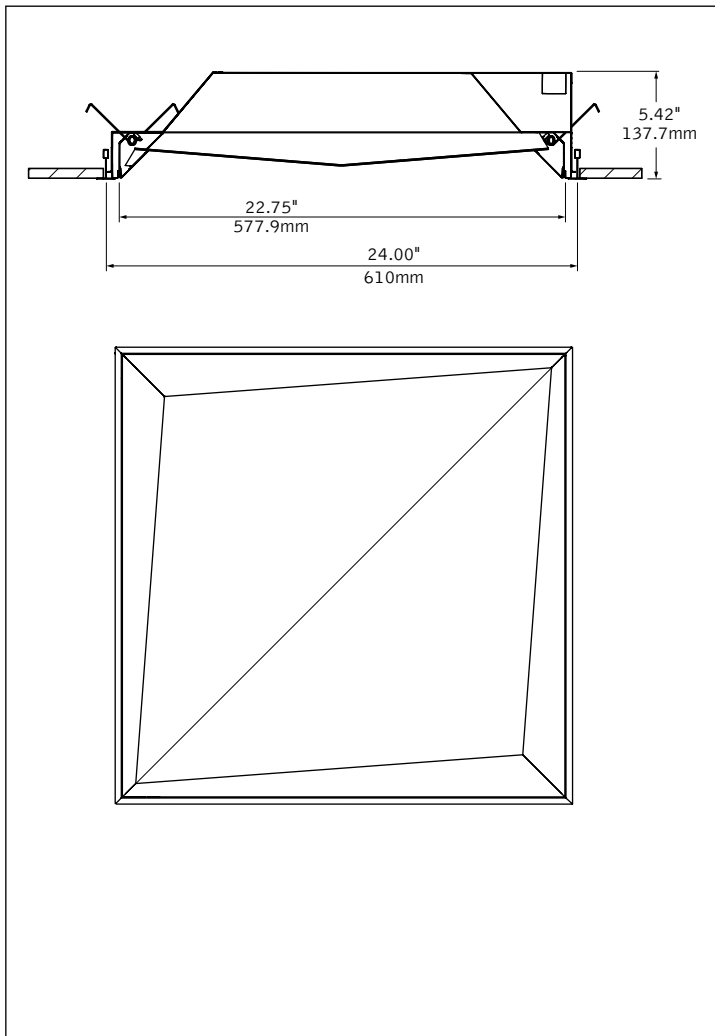


# Facetta 2x2

LED



## DIMENSIONAL DATA



## FEATURES

Architectural recessed LED luminaire with faceted lens.

Faceted lens allows for use in clusters to create unique architectural patterns.

A one-piece, hinged bezel assembly is easily removed for ease of maintenance.

Standard Right Light levels from 1,000 to 6,000 lumens.

Dimming options include DALI, 0-10V and Lutron EcoSystem.

Connected Solutions: Integrates with wired and wireless building lighting control systems.

Preferred Light: Lighting for better color rendition and human preference.

PoE compatible: Integrates with Power over Ethernet lighting systems via standard, low-voltage wires.

## PERFORMANCE

PRODUCT OVERVIEW	
Lumen Output:	1000-6000lm
Wattage:	9-50W
LPW:	115-125
SDCM:	3

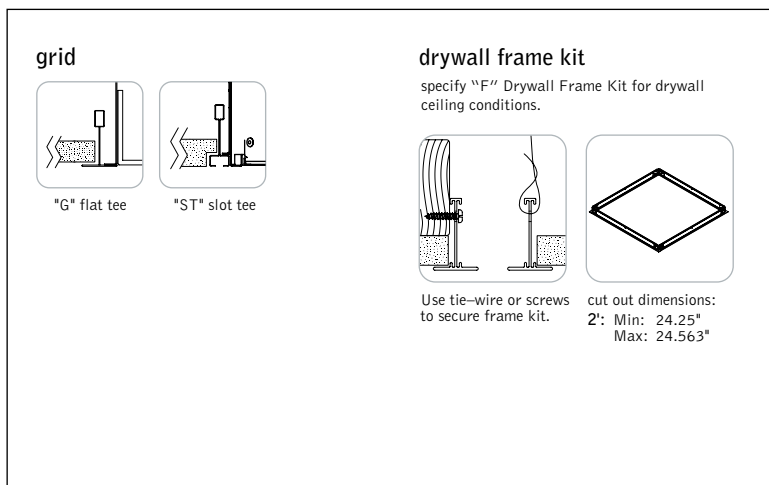
**Delivered Lumens: 3000lm**  
**Total System Watts: 26W**

Photometric performance is measured in accordance with IESNA LM-79. Visit focalpointlights.com for complete photometric data.

fixture:

project:

**DETAILS**



**SPECIFICATIONS**

**LED System**

Proprietary linear LED module incorporates premium LEDs on a robust platform to achieve excellent thermal management. LEDs are placed to promote a uniform appearance. Available in 2700K, 3000K, 3500K or 4000K with CRI>80 or CRI>90. 3500K and 4000K with CRI>90 have a cyanosis observation index (COI) of 3.3 or less. 0-10V dimming driver standard. LED modules and drivers are replaceable from below. Color accuracy <3 SDCM.

**Construction**

24 Ga. steel housing. Bottom access 24 Ga. steel driver compartment. Positional brackets supplied as standard. Weight: 14.9lbs.

**Optic**

20 Ga. steel reflectors finished in matte satin white powder coat. .060" thick frosted acrylic lens.

**Electrical**

Standard 120-277V driver includes 0-10V analog dimming, 100% - 10% range. Power factor > .9. PoE compatible: Integrates with Power over Ethernet lighting systems via standard, low-voltage wires.

**Emergency**

Emergency battery output—10 watts for 90 minutes. Maximum mounting height: 24.7ft. Emergency Circuit with Connected Solutions (NLT1, ENL1, CLM1, DLM1) requires a UL924 compliant device, consult factory. Top access only.

**Labels**

UL and cUL listed. Suitable for Dry or Damp Locations, indoor use only.

**Finish**

Polyester powder coat applied over a multi-stage pre-treatment.

**Lumen Maintenance**

Reported: L70 at 42,000 hours      Calculated: L70 at 115,000 hours  
Derived from EPA TM-21 calculator. Based on typical conditions, consult factory for additional data.

**Reliability**

At Focal Point, our products are designed to stand the test of time. Each luminaire is engineered using superior components, manufactured with the utmost care and rigorously tested. Contact us for reliability data.

**Lifetime and warranty**

LED system rated for operation in ambient environments up to 25°C. 5-year limited warranty.

**PERFORMANCE CHART**

Delivered Lumens	Tested System Watts	LPW	Delivered Lumens	Tested System Watts	LPW
1000	9	115	4000	36	116
1500	13	116	4500	36	125
2000	17	121	5000	41	123
2500	21	123	5500	45	122
3000	26	119	6000	50	118
3500	31	117			

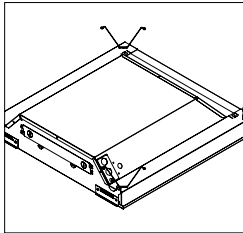
Based on 3500K, 80 CRI. Lumen multipliers: Preferred Light = 0.65, 90+ CRI = 0.87.

Focal Point LLC reserves the right to change specifications for product improvement without notification.

**ORDERING**

<b>Luminaire Series</b>	Facetta	FCT
<b>Nominal Size</b>	2' x 2'	22
<b>Shielding</b>	Frosted Lens	FL
<b>Lumen Output</b>	1000 Lumens	1000L
	1500 Lumens	1500L
	2000 Lumens	2000L
	2500 Lumens	2500L
	3000 Lumens	3000L
	3500 Lumens	3500L
	4000 Lumens	4000L
	4500 Lumens	4500L
	5000 Lumens	5000L
	5500 Lumens	5500L
	6000 Lumens	6000L
<b>Color Temperature</b>	2700K, 80+ CRI or 90+ CRI	27K or 927K
	3000K, 80+ CRI or 90+ CRI	30K or 930K
	3500K, 80+ CRI or 90+ CRI	35K or 935K
	4000K, 80+ CRI or 90+ CRI	40K or 940K
	3500K, Preferred Light	P35K
<b>Circuits</b>	Single Circuit	1C
<b>Voltage</b>	UNV 120/277 Volt	UNV
	347 Volt	347
	<small>(Transformer required for all drivers except LD1. Transformer access above ceiling only. LD1 not available with 1000 Lumens. Not available with SD5.)</small>	
	Low Voltage	LV
<b>Control System &amp; Dimming Level</b>	0-10V - 10% Dimming	LD1
	Low Voltage, PoE compatible	LVN
	<small>(No driver. Not available with EM or EC. LV Voltage only.)</small>	
	0-10V - 1% Dimming	L11
	Lutron Hi-Lume EcoSystem (LDE1) - 1% Dimming	LH1
	DALI - 1% Dimming	D11
	Step Dimming	SD5
	<small>(120/277V only.)</small>	
	Acuity nLight - 1% Dimming	NLT1
	<small>(Not available with CP.)</small>	
	Enlighted Smart Sensor - 1% Dimming	ENL1
	<small>(Remote mounted sensor)</small>	
	Encelium CLM Connected Lighting Module - 1% Dimming	CLM1
	<small>(Compatible with Encelium X Light Management System)</small>	
	Wattstopper DLM - 1% Dimming	DLM1
<b>Mounting</b>	Drywall Frame Kit	F
	<small>(Not available with CLM1, DLM1, ENL1 or NLT1)</small>	
	Grid	G
	Slot Tee	ST
<b>Factory Options</b>	Chicago Plenum	CP
	Emergency Battery	EM
	<small>(120/277V only. Top access only.)</small>	
	6' New York City Flex Whip (120V)	FNY1
	6' New York City Flex Whip (277V)	FNY2
	6' Flex Whip	FW
<b>Finish</b>	Matte White Housing	WH

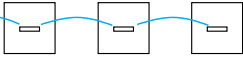
Focal Point provides flexibility in meeting the needs of each project by integrating with several building lighting control systems. A variety of sensors, drivers and other components can be specified that allow the luminaires to communicate with wired and wireless networks. All zoning can be digitally reconfigured through the application software. Daylight harvesting, occupancy sensing, integration with HVAC systems, and individual controls enable the monitoring and modulating of light levels and temperature in order to save energy, reduce costs and maximize occupants' comfort. All Connected Solutions luminaires require a compatible building control system.†



nLight™ provides a two-way wired digital lighting system allowing for on/off and dimming functionality, occupancy sensing, and multi-zone daylight harvesting.

Acuity nLight - 1% Dimming (NLT1)  
Acuity Model #nEPS-60-IO

CAT-5 Cable provided by others. Serial labels will be provided on outside of luminaires and control unit.



Enlighted smart sensor allows for occupancy sensing, daylight harvesting, energy usage, temperature and light level control. Communicates wirelessly with the Enlighted network.

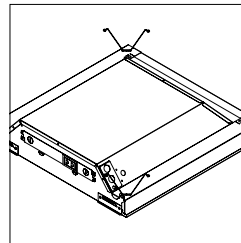
Enlighted Smart Sensor - 1% Dimming (ENL1)  
Enlighted Model #SU-5E-IOT2



Encelium's Connected Lighting Module (CLM) is fully compatible with the Encelium X Light Management System, as well as with 0-10V and DALI based LED drivers to allow for individual luminaire control, including on/off and dimming functionalities, occupancy sensing, and multi-zone daylight harvesting.

Encelium CLM - 1% Dimming (CLM1)  
Encelium Model #ZBHA-CLM-DIM-ENC

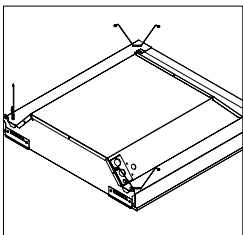
Serial labels will be provided on outside of luminaires and control unit.



A Digital Lighting Management (DLM) system that provides two-way wired communication between networked luminaires and control system to allow for on/off and dimming functionality, occupancy sensing and multi-zone daylight harvesting.

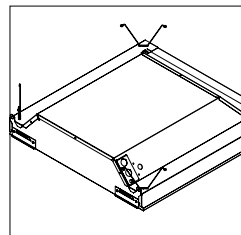
Wattstopper DLM - 1% Dimming (DLM1)  
Wattstopper Model #LMFC-011

CAT-5 Cable provided by others. Serial labels will be provided on outside of luminaires and control unit.



A two-way digital network that enables on/off and dimming functionality, occupancy sensing, and multi-zone daylight harvesting working with Quantum™, Energi Savr Node™, and Energi TriPak™ using EcoSystem™ communication protocol.

Lutron Hi-Lume EcoSystem - 1% Dimming (LH1)  
Lutron Model #LDE1



A two-way digital network that enables on/off and dimming functionality, occupancy sensing, and multi-zone daylight harvesting. Communicates with Züm wireless and SpaceBuilder working with Züm hub scheduling or FUSION management.

DALI - 1% Dimming (D11)  
0-10V - 1% Dimming (L11)

Note: 0-10V is not a digital network but is compatible with Crestron Züm™ system.

## CONNECTED SOLUTIONS DETAILS

Connected Solution	Model #	Protocol	Compatible Networks*	Occupancy	Daylight	Temperature Reporting	Communication to Luminaire	Drivers
Acuity nLight (NLT1)	nEPS-60-IO**	nLight	nLight	Enabled	Enabled	No	Wired	<b>eldoLED ECOdrive</b> , eldoLED SOLOdrive
Crestron (D11, L11)	Specified Driver	DALI 0-10V	Crestron Züm Wireless & SpaceBuilder	Enabled	Enabled	No	Wired	<b>eldoLED ECOdrive (DALI)</b> , <b>Advance by Signify (0-10V)</b>
Enlighted Smart Sensor (ENL1)	SU-5E-IOT2**	Enlighted RF	Enlighted	Integrated	Integrated	Yes	Wireless	<b>Optotronic by eldoLED</b> , Advance by Signify
Legrand Wattstopper DLM (DLM1)	LMFC-011**	DLM	DLM	Enabled	Enabled	No	Wired	<b>Optotronic by eldoLED</b> , Advance by Signify
Lutron EcoSystem (LH1)	LDE1**	EcoSystem	Quantum, Energi Savr Node, Energi TriPak	Enabled	Enabled	No	Wired	<b>Lutron Hi-Lume</b>
Encelium CLM Connected Lighting Module (CLM1)	ZBHA-CLM-DIM-ENC*	ZigBee	Encelium X Light Management System	Enabled	Enabled	No	Wireless	<b>Optotronic by eldoLED</b> Advance by Signify

\*Not all compatible networks may be listed. \*\*For performance data and additional control system details please visit the connected solutions manufacturer websites. Primary drivers are listed in bold. To specify a particular driver please consult factory. †Controls systems supplied by others.