

clear diffuse reflector



warm diffuse reflector

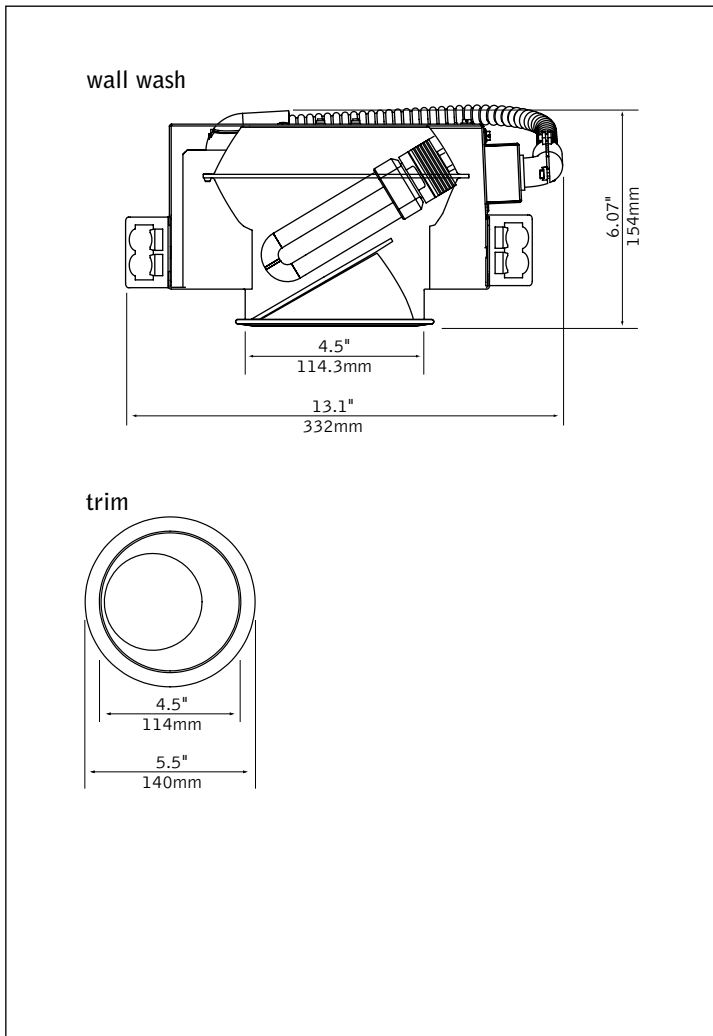


non-painted trim



white painted trim

**DIMENSIONAL DATA**



**FEATURES**

- Unobtrusive 4.5" aperture.
- Unique SmartShell™ optical design maximizes efficiency.
- Tilted lamp position provides high-angle distribution.
- Self-flanged or painted trim provides a smooth transition to the ceiling.
- Trim fits tightly to ceiling via torsion springs.
- Accommodates ceilings up to 1" thick.
- Diffuse reflectors offer glare control.

**PERFORMANCE**

**PRODUCT OVERVIEW**

Lumen Output: 233-485lm

Wattage: 19-28W

Lamping: TT

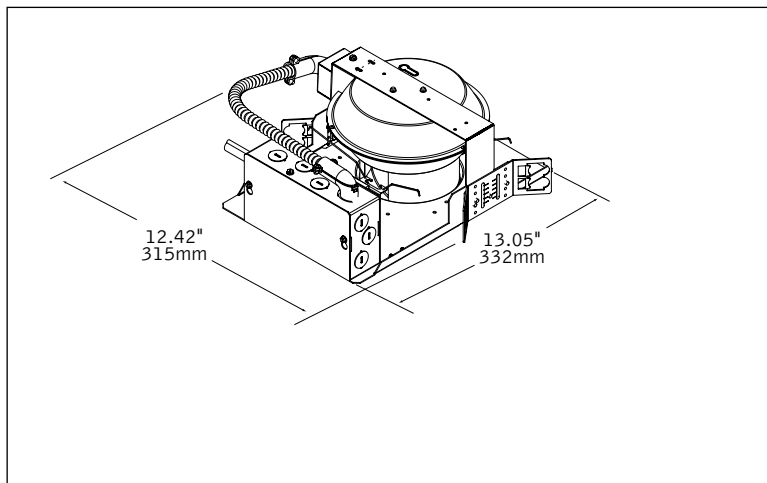
Clear Diffuse  
1-Lamp 26W Triple Tube  
**27% Efficient**  
**417 cd @ 0°**

Visit focalpointlights.com for complete photometric data.

fixture:

project:

**DETAILS**



**SPECIFICATIONS**

**Housing**

Frame may be installed into ceiling thicknesses up to 1". For thicker ceiling consult factory. Butterfly brackets allow mounting to 1/2 emt. Order bar hangers as an accessory. Galvanized steel frame includes large Junction box 7" x 3.5" with (10) 1/2" pry outs. UL listed for through branch wiring, four #12 90°C conductors. Thermally protected housing for new construction applications without direct contact with insulation. Insulation to be kept 3" away from housing.

**Upper Reflector**

SmartShell upper reflector constructed of .05 spun aluminum. Keyhole slots allow reflector to shift to gain access to ballast from below ceiling. Reflector finished in High Reflectance White powder coat.

**Trim**

.05 spun aluminum parabolic reflector cone ensures glare-free optics. Reflector provides 55-degree cut off to lamp and lamp image. Trim attaches to housing via torsion springs. Trims are self-flanged, non-painted to match reflector finish. White painted flange may also be specified. 0.125" thick micro-prismatic glass lens obscures lamp.

**Electrical**

Luminaires are pre-wired for single circuit with thermally protected Class "P" program start <10% THD electronic ballast. One lamp triple tube compact fluorescent, 4-pin, 18W-(GX24q-2) or 26W-(GX24q-3). Rotary lock socket allows for easy lamp removal and reduces lamp breakage. Integral emergency battery test switch and indicator light in optic.

**Labels**

UL & cUL listed.

**HOUSING ORDERING**

<b>Housing Series</b>	<b>FC4W</b>
ID CFL Round Housing	FC4W
<b>Lamp</b>	
18W Triple Tube, GX24q-2	18TT
26W Triple Tube, Gx24q-3	26TT
<b>Ballast</b>	
Electronic Program Start <10% THD	S
0-10V	D7
2-wire Line Voltage	D1
Lutron EcoSystem Digital	DB
Lutron EcoSystem 3-wire	D2
<b>Voltage</b>	
120V	120
277V	277
347V	347
<small>(Consult factory for dimming options)</small>	

<b>Trim Type</b>	<b>RO</b>
Round Overlap	RO
<b>Housing Type</b>	<b>T</b>
Thermally Protected, Non-IC	T

<b>Factory Options</b>	
Bar Hangers	BH
Chicago Plenum	CP
Emergency Battery Pack*	EM
<small>(Above the ceiling access only)</small>	
HLR/GLR Fuse	FU
Include 3000K Lamp	L830
Include 3500K Lamp	L835
Include 4100K Lamp	L841

**TRIM ORDERING**

<b>Aperture</b>	<b>D4</b>
4.5" Round Aperture	D4
<b>Trim Type</b>	<b>RD</b>
Round	RD
<b>Optic</b>	<b>WW</b>
Lensed Wall Wash	WW
<b>Color</b>	
Clear Diffuse	CD
Warm Diffuse	WD
<b>Flange Finish</b>	
Non-Painted, Self-flanged	NP
White Painted	WP

A complete unit consists of two line items, housing and trim  
Example: FC4D-26TT-S-120-RO-T | D4-RD-WW-CD-NP

# id<sup>®</sup> 4.5" Aperture

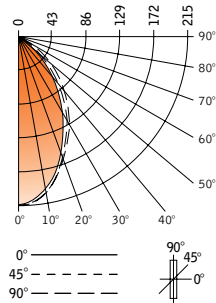
CFL WALL WASH

## FC4W-18TT-S-120-RO-T / D4-RO-WW-CD-NP

Filename: D4WWCD18TT.IES  
Test #: 15286.0

Lumens: 235lm  
Efficiency: 20%

### CANDLEPOWER DISTRIBUTION



Vertical Angle	Horizontal Angle				Zonal Lumens
	0°	22.5°	45°	67.5°	
0°	213	213	213	213	213
5°	210	211	210	209	207
15°	183	185	183	180	177
25°	144	147	142	141	134
35°	106	105	101	95	87
45°	66	62	58	50	39
55°	40	39	33	23	13
65°	21	19	15	9	3
75°	6	6	4	1	0
85°	0	0	0	0	0
90°	0	0	0	0	0

### LUMEN SUMMARY

Zone	Lumens	% Lamp	% Fixture
0-30°	129	10.8	55.2
0-40°	180	15.0	76.5
0-60°	226	18.8	96.2
0-90°	235	19.6	100.0
<b>Total Luminaire 0-180°</b>	<b>235</b>	<b>19.6</b>	<b>100.0</b>

### CO-EFFICIENTS OF UTILIZATION

Floor Ceiling Wall	80				70			20		50		30		10		00
	70	50	30	10	70	50	10	50	10	50	10	50	10	50	10	00
RCR 0	23	23	23	23	23	23	23	22	22	21	21	20	20	20	20	20
1	22	22	21	20	22	21	20	20	20	20	19	19	18	18	18	18
2	21	20	19	18	20	19	18	19	18	18	17	18	17	17	17	17
3	20	18	17	16	19	18	16	17	16	17	16	17	15	15	15	15
4	18	17	16	15	18	17	15	16	14	16	14	15	14	14	14	14
5	17	16	14	13	17	15	13	15	13	15	13	14	13	13	13	13
6	16	14	13	12	16	14	12	14	12	14	12	13	12	12	12	12
7	15	13	12	11	15	13	11	13	11	13	11	12	11	11	11	11
8	14	12	11	10	14	12	10	12	10	12	10	12	10	10	10	10
9	13	11	10	09	13	11	09	11	09	11	09	11	09	09	09	09
10	13	10	09	08	12	10	08	10	08	10	08	10	08	08	08	08

Numbers indicate percentage values of reflectivity.

Go to [www.focalpointlights.com](http://www.focalpointlights.com) for additional photometric data.

# id<sup>®</sup> 4.5" Aperture

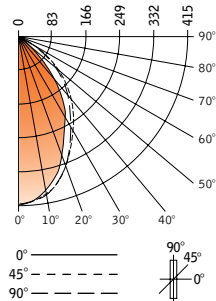
CFL WALL WASH

## FC4W-26TT-S-120-RO-T / D4-RO-WW-CD-NP

Filename: D4WWCD26TT.IES  
Test #: 15287.0

Lumens: 485lm  
Efficiency: 27%

### CANDLEPOWER DISTRIBUTION



Vertical Angle	Horizontal Angle				Zonal Lumens
	0°	22.5°	45°	67.5°	
0°	417	417	417	417	417
5°	412	412	411	408	407
15°	376	377	375	368	357
25°	305	308	299	292	270
35°	233	231	218	205	178
45°	159	149	135	115	80
55°	94	82	69	47	25
65°	40	37	29	19	8
75°	14	10	9	3	1
85°	1	1	0	0	0
90°	0	0	0	0	0

### LUMEN SUMMARY

Zone	Lumens	% Lamp	% Fixture
0-30°	258	14.3	53.2
0-40°	363	20.2	74.8
0-60°	462	25.7	95.2
0-90°	485	27.0	100.0
<b>Total Luminaire 0-180°</b>	<b>485</b>	<b>27.0</b>	<b>100.0</b>

### CO-EFFICIENTS OF UTILIZATION

Floor Ceiling Wall	80				70			20		50		30		10		00
	70	50	30	10	70	50	10	50	10	50	10	50	10	50	10	00
RCR 0	32	32	32	32	31	31	31	30	30	29	29	28	28	28	28	28
1	30	29	29	28	30	29	28	28	27	27	26	26	25	25	25	25
2	29	27	26	25	28	27	25	26	24	25	23	24	23	23	23	23
3	27	25	23	22	26	25	22	24	22	23	21	23	21	21	21	21
4	25	23	21	20	25	23	20	22	20	22	19	20	19	19	19	19
5	24	21	19	18	23	21	18	20	18	20	18	19	17	17	17	17
6	22	20	18	16	22	19	16	19	16	19	16	18	16	16	16	16
7	21	18	16	15	21	18	15	18	15	17	15	17	15	15	15	15
8	20	17	15	14	19	17	14	16	14	16	13	16	13	13	13	13
9	18	15	14	12	18	15	12	15	12	15	12	14	12	12	12	12
10	17	14	12	11	17	14	11	14	11	14	11	13	11	11	11	11

Numbers indicate percentage values of reflectivity.

Go to [www.focalpointlights.com](http://www.focalpointlights.com) for additional photometric data.