



clear diffuse reflector



warm diffuse reflector

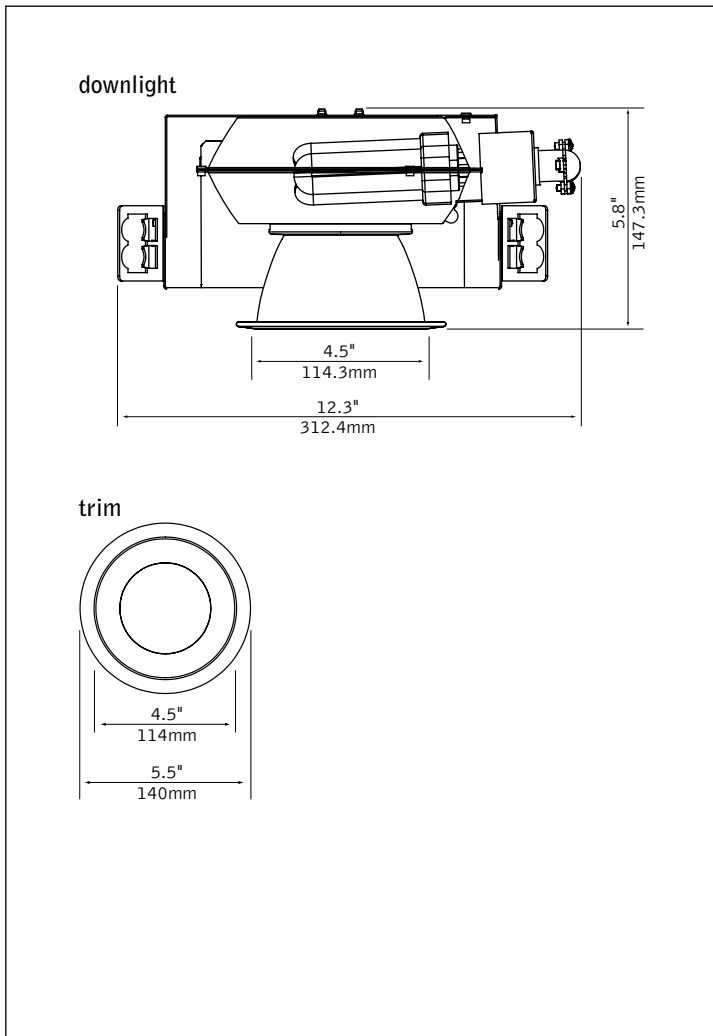


non-painted trim



white painted trim

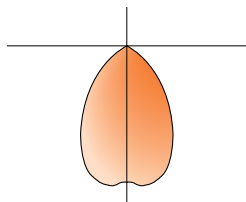
DIMENSIONAL DATA



FEATURES

- Unobtrusive 4.5" aperture.
- Unique SmartShell™ optical design maximizes efficiency.
- Shallow housing with horizontal lamping.
- Self-flanged or painted trim provides a smooth transition to the ceiling.
- Trim fits tightly to ceiling via torsion springs.
- Accommodates ceilings up to 1" thick.
- Diffuse reflectors offer glare control and 55-degree cut-off to lamp and its image.

PERFORMANCE



PRODUCT OVERVIEW

Lumen Output: 481-628lm

Wattage: 19-28W

Lamping: TT

Downlight, Clear Diffuse
1-Lamp 26W Triple Tube

35% Efficient

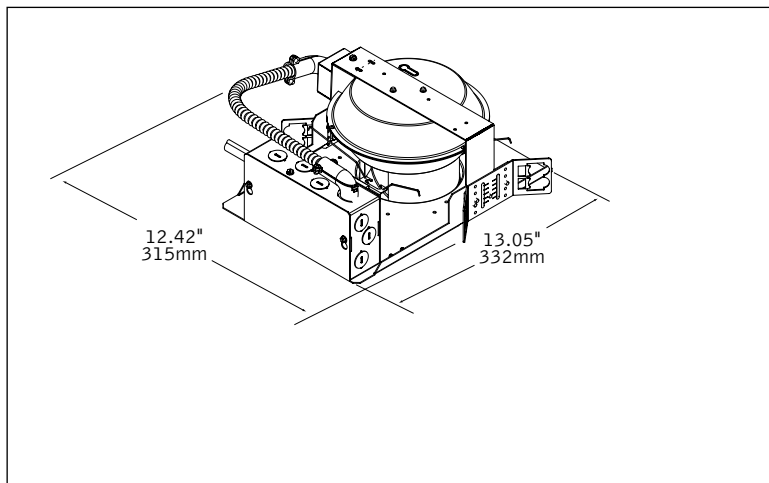
462 cd @ 10°

Visit focalpointlights.com for complete photometric data.

fixture:

project:

DETAILS



SPECIFICATIONS

Housing

Frame may be installed into ceiling thicknesses up to 1". For thicker ceiling consult factory. Butterfly brackets allow mounting to 1/2 emt. Order bar hangers as an accessory. Galvanized steel frame includes large Junction box 7" x 3.5" with (10) 1/2" pry outs. UL listed for through branch wiring, four #12 90°C conductors. Thermally protected housing for new construction applications without direct contact with insulation. Insulation to be kept 3" away from housing.

Upper Reflector

SmartShell upper reflector constructed of .05 spun aluminum. Keyhole slots allow reflector to shift to gain access to ballast from below ceiling. Reflector finished in High Reflectance White powder coat. Lamp tilted 5° for optimal thermal performance.

Trim

.05 spun aluminum parabolic reflector cone ensures glare-free optics. Reflector provides 55-degree cut off to lamp and lamp image. Trim attaches to housing via torsion springs. Trims are self-flanged, non-painted to match reflector finish. White painted flange may also be specified. Optional .125" thick micro-prismatic glass lens obscures lamp.

Electrical

Luminaires are pre-wired for single circuit with thermally protected Class "P" program start <10% THD electronic ballast. One lamp triple tube compact fluorescent, 4-pin, 18W-(GX24q-2) or 26W-(GX24q-3). Rotary lock socket allows for easy lamp removal and reduces lamp breakage. Integral emergency battery test switch and indicator light in optic.

Labels

UL & cUL listed. Lensed version suitable for wet location.

HOUSING ORDERING

Housing Series		FC4D
ID CFL Round Housing	FC4D	
Lamp		
18W Triple Tube, GX24q-2	18TT	
26W Triple Tube, Gx24q-3	26TT	
Ballast		
Electronic Program Start <10% THD	S	
0-10V	D7	
2-wire Line Voltage	D1	
Lutron EcoSystem Digital	DB	
Lutron EcoSystem 3-wire	D2	
Voltage		
120V	120	
277V	277	
347V	347	

(Consult factory for dimming options)

Trim Type		RO
Round Overlap	RO	
Housing Type		T
Thermally Protected, Non-IC	T	

Factory Options

Bar Hangers	BH	
Chicago Plenum	CP	
Emergency Battery Pack*	EM	
<small>(Above the ceiling access only)</small>		
HLR/GLR Fuse	FU	
Include 3000K Lamp	L830	
Include 3500K Lamp	L835	
Include 4100K Lamp	L841	

TRIM ORDERING

Aperture		D4
4.5" Round Aperture	D4	
Trim Type		RD
Round	RD	
Optic		
Downlight	DN	
Regress Lens	RL	

Color		
Clear Diffuse	CD	
Warm Diffuse	WD	
Flange Finish		
Non-Painted, Self-flanged	NP	
White Painted	WP	

A complete unit consists of two line items, housing and trim
 Example: FC4D-26TT-S-120-RO-T | D4-RD-DN-CD-NP

id[®] 4.5" Aperture

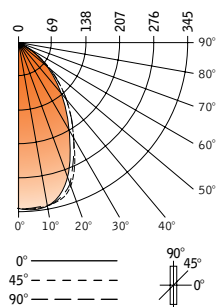
CFL DOWNLIGHT

FC4D-18TT-S-120-RO-T / D4-RO-DN-CD-NP

Filename: D4DNCD18TT.IES
Test #: 15236.0

Lumens: 480lm
Efficiency: 40%

CANDLEPOWER DISTRIBUTION



Vertical Angle	Horizontal Angle				Zonal Lumens
	0°	22.5°	45°	67.5°	
0°	340	340	340	340	340
5°	340	341	341	343	343
15°	332	333	330	326	325
25°	273	276	268	255	249
35°	183	189	179	172	165
45°	119	117	112	107	104
55°	34	34	34	28	27
65°	5	4	4	4	4
75°	0	0	0	0	0
85°	0	0	0	0	0
90°	0	0	0	0	0

LUMEN SUMMARY

Zone	Lumens	% Lamp	% Fixture
0-30°	249	20.7	51.8
0-40°	361	30.1	75.2
0-60°	476	39.6	99.1
0-90°	480	40.0	100.0
Total Luminaire 0-180°	480	40.0	100.0

LUMINANCE DATA (CD/M²)

Vertical Angle	0°	45°	90°
45°	12783	12031	11172
55°	4502	4502	3576
65°	899	719	719
75°	0	0	0
85°	0	0	0

CO-EFFICIENTS OF UTILIZATION

Floor Ceiling Wall	80				70				20 50				30				10				00			
	70	50	30	10	70	50	10	50	10	50	10	50	10	50	10	50	10	50	10	50	10			
RCR 0	48	48	48	48	46	46	46	44	44	43	43	41	41	41	41	40	40	40	40	40	40			
1	45	44	43	42	44	43	41	42	40	40	39	39	38	37	36	35	34	33	32	31	30			
2	43	41	39	37	42	40	37	39	36	37	35	36	35	34	33	32	31	30	29	28				
3	40	38	35	34	40	37	33	36	33	35	32	34	32	31	30	29	28	27	26	25				
4	38	35	32	30	37	34	30	33	30	32	29	32	29	28	27	26	25	24	23	22				
5	36	32	29	27	35	31	27	31	27	30	27	29	26	26	25	24	23	22	21	20				
6	33	29	27	25	33	29	25	28	25	28	24	27	24	24	23	22	21	20	19	18				
7	31	27	24	23	31	27	22	26	22	26	22	25	22	22	21	20	19	18	17	16				
8	29	25	22	20	29	25	20	24	20	24	20	23	20	20	19	18	17	16	15	14				
9	27	23	20	18	27	22	18	22	18	22	18	21	18	18	17	16	15	14	13	12				
10	25	21	18	16	25	21	16	20	16	20	16	19	16	16	15	14	13	12	11	10				

Numbers indicate percentage values of reflectivity.

Go to www.focalpointlights.com for additional photometric data.

id[®] 4.5" Aperture

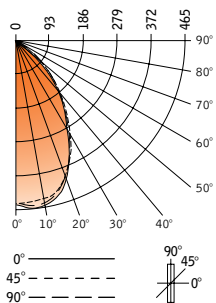
CFL DOWNLIGHT

FC4D-26TT-S-120-RO-T / D4-RO-DN-CD-NP

Filename: D4DNCD32TT.IES
Test #: 15231.0

Lumens: 624lm
Efficiency: 35%

CANDLEPOWER DISTRIBUTION



Vertical Angle	Horizontal Angle				Zonal Lumens
	0°	22.5°	45°	67.5°	
0°	45	453	453	453	453
5°	452	456	460	463	466
15°	437	439	440	445	446
25°	355	356	354	351	349
35°	245	239	235	225	226
45°	142	141	140	140	142
55°	33	35	33	30	33
65°	5	4	4	5	4
75°	2	1	2	2	2
85°	0	0	0	0	0
90°	0	0	0	0	0

LUMEN SUMMARY

Zone	Lumens	% Lamp	% Fixture
0-30°	332	18.5	53.3
0-40°	479	26.6	76.8
0-60°	617	34.3	99.0
0-90°	624	34.7	100.0
Total Luminaire 0-180°	624	34.7	100.0

LUMINANCE DATA (CD/M²)

Vertical Angle	0°	45°	90°
45°	15253	15039	15253
55°	4370	4370	4370
65°	599	719	719
75°	587	587	587
85°	0	0	0

CO-EFFICIENTS OF UTILIZATION

Floor Ceiling Wall	80				70				20 50				30				10				00			
	70	50	30	10	70	50	10	50	10	50	10	50	10	50	10	50	10	50	10	50	10			
RCR 0	41	41	41	41	40	40	40	39	39	37	37	35	35	35	35	35	35	35	35	35	35			
1	39	38	37	36	38	37	36	35	35	35	34	34	33	33	32	31	30	29	28	27				
2	37	35	34	33	36	35	32	34	31	33	31	32	30	30	29	28	27	26	25	24				
3	35	33	31	29	34	32	29	31	29	30	28	30	28	27	26	25	24	23	22	21				
4	33	30	28	26	32	30	26	29	26	28	26	28	25	25	24	23	22	21	20	19				
5	31	28	26	24	30	27	24	27	24	26	23	26	23	23	22	21	20	19	18	17				
6	29	26	23	22	29	25	22	25	22	24	21	24	21	21	20	19	18	17	16	15				
7	27	24	21	20	27	23	20	23	20	23	20	22	19	19	18	17	16	15	14	13				
8	25	22	19	18	25	22	18	21	18	21	18	20	18	18	17	16	15	14	13	12				
9	24	20	18	16	23	20	16	19	16	19	16	18	16	16	15	14	13	12	11	10				
10	22	18	16	14	22	18	14	18	14	18	14	17	14	14	13	12	11	10	9	8				

Numbers indicate percentage values of reflectivity.

Go to www.focalpointlights.com for additional photometric data.