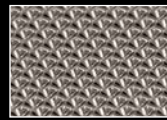


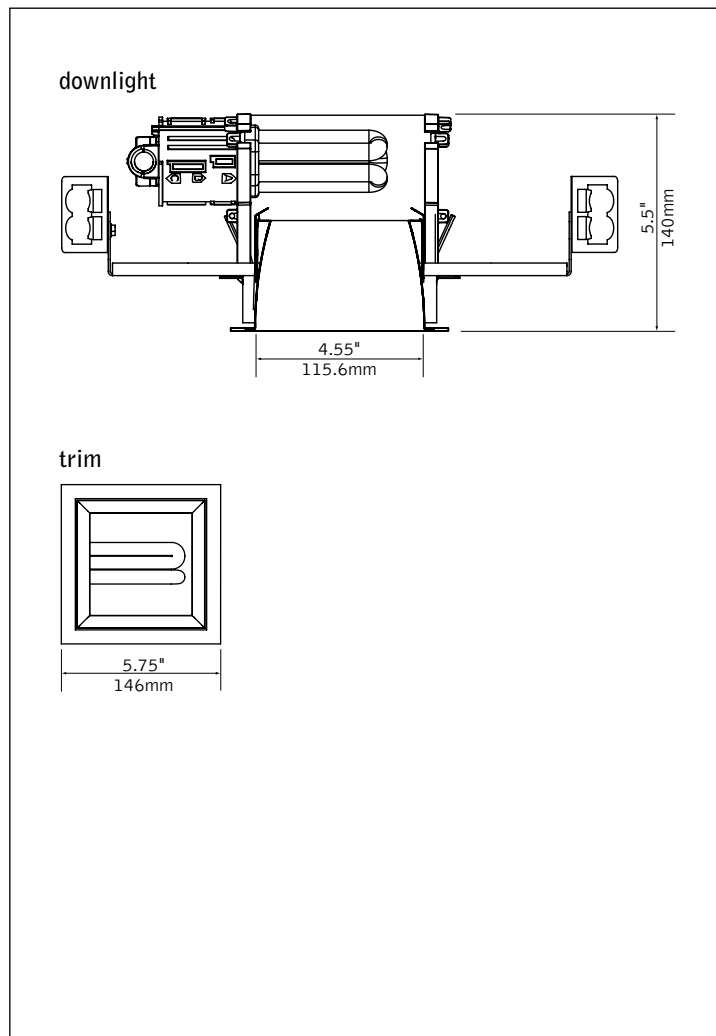
id[®] 4.5" x 4.5"

CFL DOWNLIGHT



MicroGlow™ lens

DIMENSIONAL DATA



FEATURES

Centered optics achieved with CenterLock™ die-cast socket cup which locates and locks lamp in center of aperture.

LampAlign™ allows installation of upper reflector in any direction regardless of housing direction. Lamps are aligned for consistent appearance and light distribution.

Reflector design eliminates tabs in corners for a seamless, no light leaks look.

1" tall housing collar rotates up to 90° to promote alignment with walls and adjacent luminaires.

55-degree cut-off to lamp and its image.

PERFORMANCE

PRODUCT OVERVIEW

Lumen Output: 329-1094lm
 Wattage: 19-36W
 Lamping: TT

Downlight, Clear Diffuse
 1-Lamp 32W Triple Tube

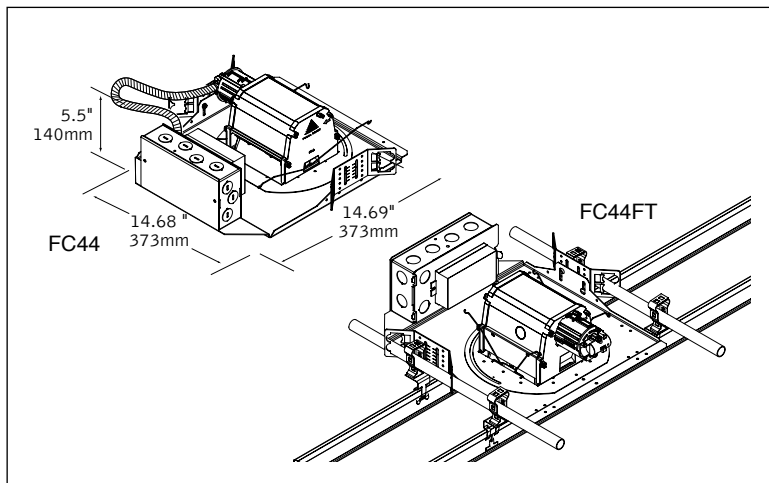
45% Efficient
761 cd @ 10°

Visit focalpointlights.com for complete photometric data.

fixture:

project:

DETAILS



SPECIFICATIONS

Housing

Frame features up to 90-degree locking adjustment of aperture after installation for parallel alignment to walls or adjacent fixtures. Frame may be installed into ceiling thicknesses up to 1". For thicker ceiling consult factory. Flex conduit with screw tight fittings mechanically fasten to CenterLock™ socket cup. CenterLock™ provides proper venting for lamps. Butterfly brackets allow mounting to ½ emt. Order bar hangers as an accessory. Galvanized steel frame includes large Junction box 7" x 3.5" with (10) ½" pry outs. UL listed for through branch wiring, four #12 90°C conductors.

Upper Reflector

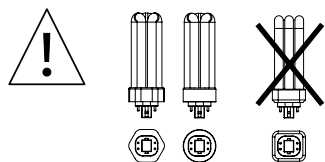
Multi-faceted steel upper reflector mounts to die cast end caps and is finished in High Reflectance White powder coat. Adjustable socket cup allows 18, 26 and 32W lamps to be centered in the optic to maintain optimal performance.

Trim

Lower reflector provides 55-degree cut off to lamp and lamp image. Parabolic aluminum fastens to die-cast flange. Trim attaches to upper reflector via torsion springs. Upper reflector and lower reflector ship separately from housing frame to avoid construction abuse. Optional .125" thick MicroGlow™ micro prism lens provides lamp obscuration.

Electrical

Luminaires are pre-wired for single circuit with thermally protected Class "P" program start <10% THD electronic ballast. Integral emergency battery test switch and indicator light in optic. Rotary lock socket allows for easy lamp removal and reduces lamp breakage. One lamp triple tube compact fluorescent, 4-pin, 18W (GX24q-2), 26W/32W (Gx24q-3). OSI and GE lamps only.



Labels

UL & cUL listed. Lensed version suitable for wet location.

Finish

Trim flange, end caps and upper reflector finished in polyester powder coat over a 5-stage pre-treatment.

HOUSING ORDERING

| | | |
|---|--------|----------------------|
| Housing Series | | _____ |
| ID CFL Square Housing | FC44 | |
| ID CFL Square for mounting between 6" on center tees | FC44FT | |
| <small>(Not recommended with single-tile spacing between fixtures due to ceiling tile interference)</small> | | |
| Lamp | | _____ |
| <small>(OSI & GE lamps only)</small> | | |
| 18W Triple Tube, GX24q-2 | 18TT | |
| 26W Triple Tube, Gx24q-3 | 26TT | |
| <small>(Includes wattage restriction label)</small> | | |
| 32W Triple Tube, GX24q-3 | 32TT | |
| Ballast | | _____ |
| Electronic Program Start <10% THD | S | |
| 0-10V | D7 | |
| 2-wire Line Voltage | D1 | |
| Lutron EcoSystem Digital | DB | |
| Lutron EcoSystem 3-wire | D2 | |
| Voltage | | _____ |
| 120V | 120 | |
| 277V | 277 | |
| 347V | 347 | |
| <small>(Consult factory for dimming options)</small> | | |
| Trim Type | | _____ |
| Square Flush | SF | |
| Square Overlap | SO | |
| Housing Type | | <u> T </u> |
| Thermally Protected, Non-IC | T | |
| Factory Options | | _____ |
| Bar Hangers | BH | |
| Chicago Plenum | CP | |
| Emergency Battery Pack* | EM | |
| HLR/GLR Fuse | FU | |
| Include 3000K Lamp | L830 | |
| Include 3500K Lamp | L835 | |
| Include 4100K Lamp | L841 | |
| TRIM ORDERING | | _____ |
| Aperture | | _____ |
| 4.5" Square Aperture | D44 | |
| 4.5" Square for mounting between 6" on center tees | D44FT | |
| Trim Type | | <u> SQ </u> |
| Square | SQ | |
| Optic | | _____ |
| Downlight | DN | |
| Regress MicroGlow Lens | RLMG | |
| Color | | _____ |
| Clear Specular | CS | |
| Clear Diffuse | CD | |
| Warm Diffuse | WD | |
| Silver Talc Diffuse | TD | |
| Flange Finish | | _____ |
| White | WH | |
| Black | BK | |
| Titanium Silver | TS | |
| Aluminum Raw | AL | |

A complete unit consists of two line items, housing and trim
Example: FC44-32TT-S-120-SO-T | D44-SQ-DN-CD-WH

id[®] 4.5" x 4.5"

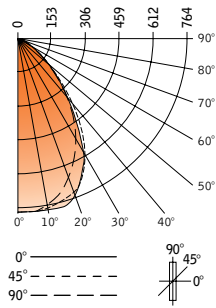
CFL DOWNLIGHT

FC44-32TT-U-SO-T / D44-SO-DN-CS-WH

Filename: D44DNCS32TT.IES
Test #: 13971.0

Lumens: 1089lm
Efficiency: 45%

CANDLEPOWER DISTRIBUTION



| Vertical Angle | Horizontal Angle | | | | Zonal Lumens |
|----------------|------------------|-------|-----|-------|--------------|
| | 0° | 22.5° | 45° | 67.5° | |
| 0° | 760 | 760 | 760 | 760 | 760 |
| 5° | 761 | 760 | 763 | 764 | 763 |
| 15° | 699 | 711 | 735 | 759 | 761 |
| 25° | 569 | 604 | 660 | 647 | 646 |
| 35° | 403 | 456 | 463 | 422 | 410 |
| 45° | 224 | 233 | 217 | 236 | 231 |
| 55° | 52 | 69 | 62 | 58 | 49 |
| 65° | 9 | 8 | 9 | 9 | 9 |
| 75° | 3 | 2 | 3 | 2 | 3 |
| 85° | 0 | 0 | 0 | 0 | 0 |
| 90° | 0 | 0 | 0 | 0 | 0 |

LUMEN SUMMARY

| Zone | Lumens | % Lamp | % Fixture |
|-------------------------------|-------------|-------------|------------|
| 0-30° | 572 | 23.8 | 52.6 |
| 0-40° | 847 | 35.3 | 77.8 |
| 0-60° | 1077 | 44.9 | 99 |
| 0-90° | 1089 | 45.4 | 100 |
| Total Luminaire 0-180° | 1089 | 45.4 | 100 |

LUMINANCE DATA (CD/M²)

| Vertical Angle | 0° | 45° | 90° |
|----------------|-------|-------|-------|
| 45° | 24062 | 23310 | 24814 |
| 55° | 6886 | 8210 | 6489 |
| 65° | 1618 | 1618 | 1618 |
| 75° | 880 | 880 | 880 |
| 85° | 0 | 0 | 0 |

CO-EFFICIENTS OF UTILIZATION

| Floor Ceiling Wall | 80 | | | | 70 | | | | 20 | | | | 50 | | | | 30 | | | | 10 | | | | 00 | | | |
|--------------------|----|----|----|----|----|----|----|----|----|----|----|----|----|----|----|----|----|----|----|----|----|----|----|--|----|--|--|--|
| | 70 | 50 | 30 | 10 | 70 | 50 | 10 | 50 | 10 | 50 | 10 | 50 | 10 | 50 | 10 | 50 | 10 | 50 | 10 | 50 | 10 | 50 | 10 | | | | | |
| RCR 0 | 54 | 54 | 54 | 54 | 53 | 53 | 53 | 50 | 50 | 48 | 48 | 46 | 46 | 46 | 46 | 46 | 46 | 46 | 46 | 46 | 46 | 46 | 46 | | | | | |
| 1 | 51 | 50 | 49 | 48 | 50 | 49 | 47 | 47 | 45 | 45 | 44 | 44 | 43 | 42 | 42 | 41 | 39 | 39 | 39 | 39 | 39 | 39 | 39 | | | | | |
| 2 | 49 | 46 | 44 | 43 | 48 | 45 | 42 | 44 | 41 | 43 | 40 | 41 | 39 | 39 | 39 | 36 | 35 | 35 | 35 | 35 | 35 | 35 | 35 | | | | | |
| 3 | 46 | 43 | 40 | 38 | 45 | 42 | 38 | 41 | 37 | 40 | 37 | 39 | 36 | 35 | 35 | 33 | 32 | 32 | 32 | 32 | 32 | 32 | 32 | | | | | |
| 4 | 43 | 39 | 37 | 34 | 42 | 39 | 34 | 38 | 34 | 37 | 33 | 36 | 33 | 32 | 32 | 30 | 29 | 29 | 29 | 29 | 29 | 29 | 29 | | | | | |
| 5 | 40 | 36 | 33 | 31 | 40 | 36 | 31 | 35 | 31 | 34 | 30 | 33 | 30 | 29 | 28 | 27 | 27 | 27 | 27 | 27 | 27 | 27 | 27 | | | | | |
| 6 | 38 | 34 | 31 | 28 | 37 | 33 | 28 | 32 | 28 | 32 | 28 | 31 | 28 | 27 | 26 | 25 | 25 | 25 | 25 | 25 | 25 | 25 | 25 | | | | | |
| 7 | 36 | 31 | 28 | 26 | 35 | 31 | 26 | 30 | 26 | 29 | 25 | 29 | 25 | 24 | 23 | 22 | 22 | 22 | 22 | 22 | 22 | 22 | 22 | | | | | |
| 8 | 33 | 28 | 25 | 23 | 33 | 28 | 23 | 28 | 23 | 27 | 23 | 27 | 23 | 22 | 21 | 20 | 20 | 20 | 20 | 20 | 20 | 20 | 20 | | | | | |
| 9 | 31 | 26 | 23 | 21 | 30 | 26 | 21 | 25 | 21 | 25 | 21 | 24 | 20 | 19 | 18 | 17 | 17 | 17 | 17 | 17 | 17 | 17 | 17 | | | | | |
| 10 | 29 | 24 | 21 | 19 | 28 | 24 | 19 | 23 | 19 | 23 | 19 | 22 | 19 | 18 | 17 | 16 | 16 | 16 | 16 | 16 | 16 | 16 | 16 | | | | | |

Numbers indicate percentage values of reflectivity.

Go to www.focalpointlights.com for additional photometric data.

id[®] 4.5" x 4.5"

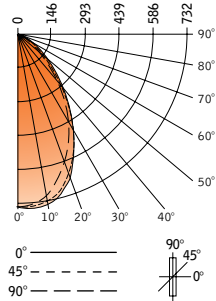
CFL DOWNLIGHT

FC44-32TT-S-SO-T / D44-SO-DN-CD-WH

Filename: D44DNCD32TT.IES
Test #: 14182.0

Lumens: 1016lm
Efficiency: 42%

CANDLEPOWER DISTRIBUTION



| Vertical Angle | Horizontal Angle | | | | Zonal Lumens |
|----------------|------------------|-------|-----|-------|--------------|
| | 0° | 22.5° | 45° | 67.5° | |
| 0° | 727 | 727 | 727 | 727 | 727 |
| 5° | 717 | 722 | 726 | 729 | 732 |
| 15° | 633 | 656 | 679 | 390 | 693 |
| 25° | 497 | 523 | 549 | 552 | 544 |
| 35° | 344 | 363 | 353 | 357 | 365 |
| 45° | 203 | 192 | 181 | 207 | 221 |
| 55° | 97 | 78 | 75 | 90 | 107 |
| 65° | 44 | 33 | 28 | 38 | 48 |
| 75° | 15 | 12 | 10 | 14 | 20 |
| 85° | 4 | 3 | 2 | 3 | 5 |
| 90° | 0 | 0 | 0 | 0 | 0 |

LUMEN SUMMARY

| Zone | Lumens | % Lamp | % Fixture |
|-------------------------------|-------------|-------------|------------|
| 0-30° | 508 | 21.2 | 50 |
| 0-40° | 732 | 30.5 | 72 |
| 0-60° | 936 | 40.1 | 94.7 |
| 0-90° | 1016 | 42.3 | 100 |
| Total Luminaire 0-180° | 1016 | 42.3 | 100 |

LUMINANCE DATA (CD/M²)

| Vertical Angle | 0° | 45° | 90° |
|----------------|-------|-------|-------|
| 45° | 21806 | 19443 | 23740 |
| 55° | 12845 | 9932 | 14170 |
| 65° | 7908 | 5032 | 8627 |
| 75° | 4402 | 2935 | 5869 |
| 85° | 3486 | 1743 | 4357 |

CO-EFFICIENTS OF UTILIZATION

| Floor Ceiling Wall | 80 | | | | 70 | | | | 20 | | | | 50 | | | | 30 | | | | 10 | | | | 00 | | | |
|--------------------|----|----|----|----|----|----|----|----|----|----|----|----|----|----|----|----|----|----|----|----|----|----|----|--|----|--|--|--|
| | 70 | 50 | 30 | 10 | 70 | 50 | 10 | 50 | 10 | 50 | 10 | 50 | 10 | 50 | 10 | 50 | 10 | 50 | 10 | 50 | 10 | 50 | 10 | | | | | |
| RCR 0 | 50 | 50 | 50 | 50 | 49 | 49 | 49 | 47 | 47 | 45 | 45 | 43 | 43 | 43 | 43 | 43 | 43 | 43 | 43 | 43 | 43 | 43 | 43 | | | | | |
| 1 | 48 | 46 | 45 | 44 | 47 | 45 | 46 | 44 | 42 | 42 | 41 | 41 | 39 | 39 | 39 | 39 | 39 | 39 | 39 | 39 | 39 | 39 | 39 | | | | | |
| 2 | 45 | 42 | 40 | 39 | 44 | 42 | 38 | 40 | 37 | 39 | 37 | 38 | 36 | 35 | 35 | 35 | 35 | 35 | 35 | 35 | 35 | 35 | 35 | | | | | |
| 3 | 43 | 39 | 36 | 35 | 47 | 38 | 34 | 37 | 34 | 36 | 33 | 35 | 33 | 32 | 32 | 30 | 29 | 29 | 29 | 29 | 29 | 29 | 29 | | | | | |
| 4 | 39 | 36 | 33 | 31 | 39 | 35 | 31 | 34 | 30 | 33 | 30 | 33 | 30 | 29 | 28 | 27 | 27 | 27 | 27 | 27 | 27 | 27 | 27 | | | | | |
| 5 | 37 | 33 | 30 | 28 | 36 | 32 | 28 | 31 | 27 | 31 | 27 | 30 | 27 | 26 | 25 | 24 | 24 | 24 | 24 | 24 | 24 | 24 | 24 | | | | | |
| 6 | 35 | 30 | 27 | 25 | 34 | 30 | 25 | 29 | 25 | 29 | 25 | 28 | 25 | 24 | 23 | 22 | 22 | 22 | 22 | 22 | 22 | 22 | 22 | | | | | |
| 7 | 32 | 28 | 25 | 23 | 32 | 28 | 23 | 27 | 23 | 26 | 22 | 26 | 22 | 21 | 20 | 19 | 19 | 19 | 19 | 19 | 19 | 19 | 19 | | | | | |
| 8 | 30 | 25 | 26 | 21 | 30 | 25 | 20 | 25 | 20 | 24 | 20 | 24 | 20 | 19 | 18 | 17 | 17 | 17 | 17 | 17 | 17 | 17 | 17 | | | | | |
| 9 | 28 | 23 | 20 | 18 | 28 | 23 | 18 | 23 | 18 | 22 | 18 | 22 | 18 | 17 | 16 | 15 | 15 | 15 | 15 | 15 | 15 | 15 | 15 | | | | | |
| 10 | 26 | 21 | 19 | 17 | 26 | 21 | 17 | 21 | 17 | 21 | 17 | 21 | 17 | 16 | 15 | 14 | 14 | 14 | 14 | 14 | 14 | 14 | 14 | | | | | |

Numbers indicate percentage values of reflectivity.

Go to www.focalpointlights.com for additional photometric data.