

id[®] 4.5" x 4.5"

CFL DECORATIVE LENS



clear



open lens

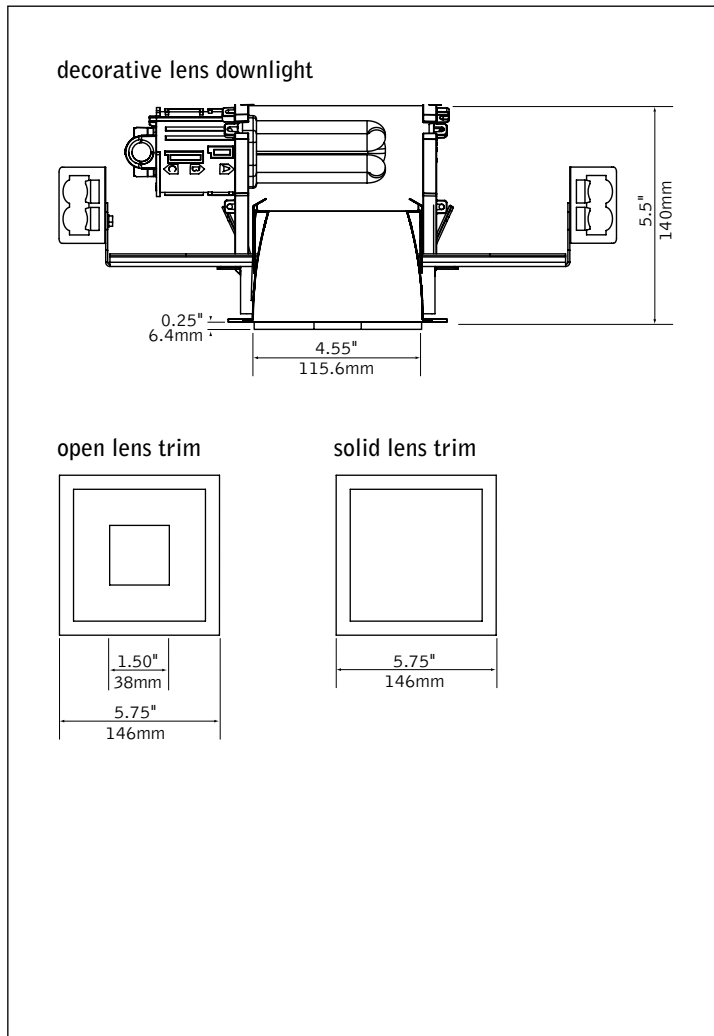


solid lens



green edge tint

DIMENSIONAL DATA



FEATURES

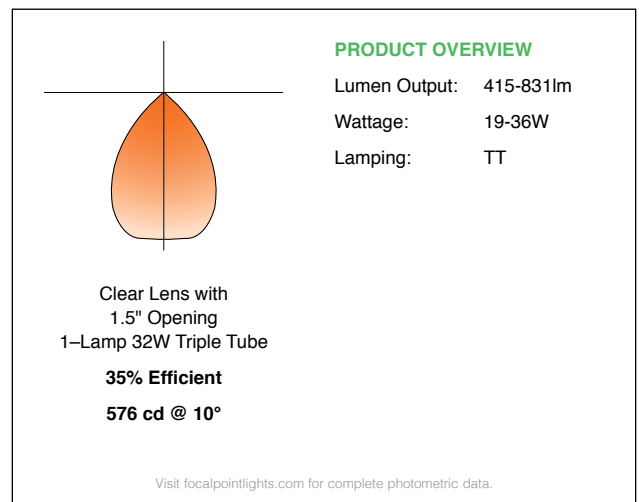
Solid Frosted Lens provides a soft glow while the Open Frosted Lens with polished edge provides a unique visual aesthetic.

Centered optics achieved with CenterLock™ die-cast socket cup which locates and locks lamp in center of aperture.

LampAlign™ allows installation of upper reflector in any direction regardless of housing direction. Lamps are aligned for consistent appearance and light distribution.

1" tall housing collar rotates up to 90° to promote alignment with walls and adjacent luminaires.

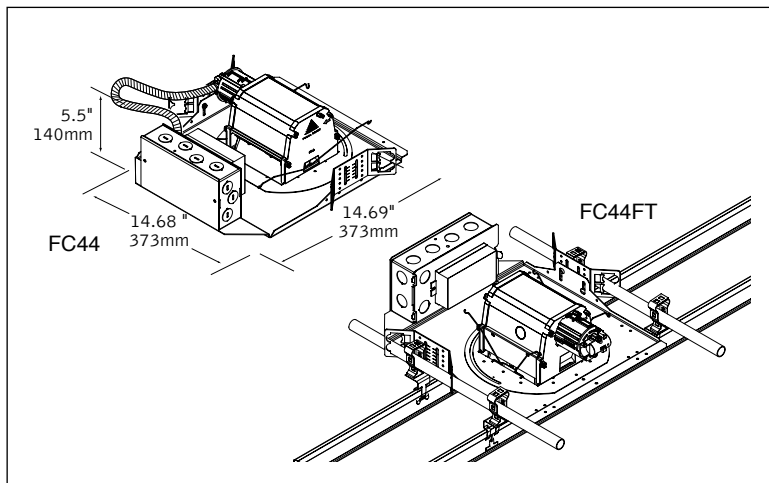
PERFORMANCE



fixture:

project:

DETAILS



SPECIFICATIONS

Housing

Frame features up to 90-degree locking adjustment of aperture after installation for parallel alignment to walls or adjacent fixtures. Frame may be installed into ceiling thicknesses up to 1". For thicker ceiling consult factory. Flex conduit with screw tight fittings mechanically fasten to CenterLock™ socket cup. CenterLock™ provides proper venting for lamps. Butterfly brackets allow mounting to ½ emt. Order bar hangers as an accessory. Galvanized steel frame includes large Junction box 7" x 3.5" with (10) ½" pry outs. UL listed for through branch wiring, four #12 90°C conductors.

Upper Reflector

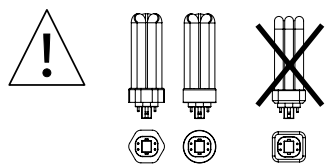
Multi-faceted steel upper reflector mounts to die cast end caps and is finished in High Reflectance White powder coat. Adjustable socket cup allows 18, 26 and 32W lamps to be centered in the optic to maintain optimal performance.

Trim

CRS high reflectance white lower reflector fastened to frosted .220" thick acrylic. Available colors include clear or green. Wet listing for solid lens option. Trim attaches to upper reflector via torsion springs. Upper reflector and lower reflector ship separately from housing frame to avoid construction abuse. Consult factory for custom lens options.

Electrical

Luminaires are pre-wired for single circuit with thermally protected Class "P" program start <10% THD electronic ballast. Integral emergency battery test switch and indicator light in optic. Rotary lock socket allows for easy lamp removal and reduces lamp breakage. One lamp triple tube compact fluorescent, 4-pin, 18W (GX24q-2), 26W/32W (Gx24q-3). OSI and GE lamps only.



Labels

UL & cUL listed. Solid lens versions suitable for wet location.

Finish

Trim flange, end caps and upper reflector finished in polyester powder coat over a 5-stage pre-treatment.

HOUSING ORDERING

Housing Series

ID CFL Square Housing FC44
 ID CFL Square for mounting FC44FT
 between 6" on center tees

(Not recommended with single-tile spacing between fixtures due to ceiling tile interference)

Lamp

(OSI & GE lamps only)

18W Triple Tube, GX24q-2 18TT
 26W Triple Tube, Gx24q-3 26TT
 (Includes wattage restriction label)
 32W Triple Tube, GX24q-3 32TT
 (Includes wattage restriction label)

Ballast

Electronic Program Start <10% THD S
 0-10V D7
 2-wire Line Voltage D1
 Lutron EcoSystem Digital DB
 Lutron EcoSystem 3-wire D2

Voltage

120V 120
 277V 277
 347V 347

(Consult factory for dimming options)

Trim Type

Square Flush SF
 Square Overlap SO

Housing Type

Thermally Protected, Non-IC T

Factory Options

Bar Hangers BH
 Chicago Plenum CP
 Emergency Battery Pack* EM
 HLR/GLR Fuse FU
 Include 3000K Lamp L830
 Include 3500K Lamp L835
 Include 4100K Lamp L841

TRIM ORDERING

Aperture

4.5" Square Aperture D44
 4.5" Square for mounting D44FT
 between 6" on center tees

Trim Type

Square SQ

Optic

Solid Lens, Clear C
 Solid Lens, Green Edge Tint G
 Lens with 1.5" Opening, Clear OC
 Lens with 1.5" Opening, Green Edge Tint OG

Flange Finish

White WH
 Black BK
 Titanium Silver TS
 Aluminum Raw AL

A complete unit consists of two line items, housing and trim
 Example:FC44-32TT-S-120-SO-T | D44-SQ-C-WH