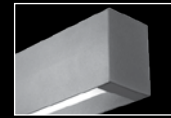
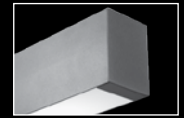


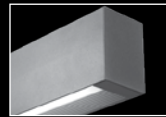
concave  
parabolic louver



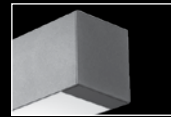
solid regress



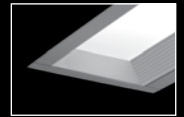
flush satin lens



corrugated regress

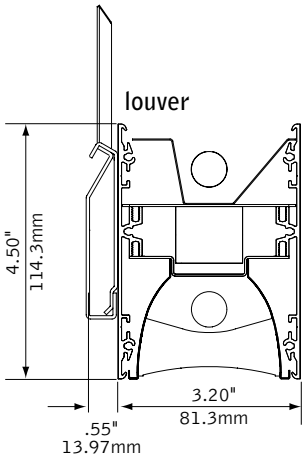


suspended  
companion



recessed  
companion

## DIMENSIONAL DATA

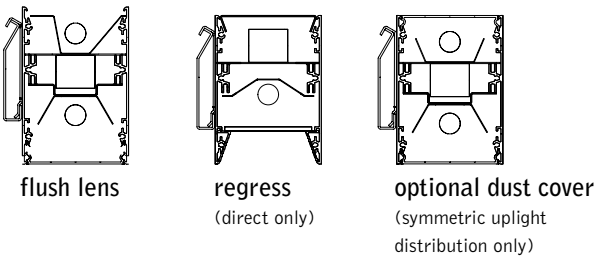


louver

4.50"  
114.3mm

.55"  
13.97mm

3.20"  
81.3mm

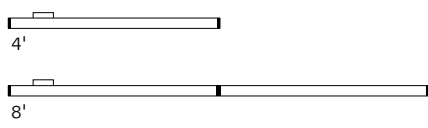


flush lens

regress  
(direct only)

optional dust cover  
(symmetric uplight  
distribution only)

fixture information



4'

8'

note: j-box cover will be visible.

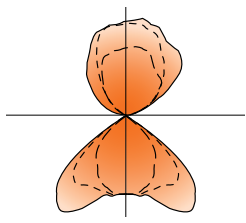
## FEATURES

Wall mount direct/indirect or direct linear T5/T5HO fluorescent luminaire.

3" aperture rectilinear profile creates sleek aesthetic.

Avenue® D makes an exceptional aesthetic statement in conference rooms, private offices, reception areas or other high-end applications.

## PERFORMANCE



**PRODUCT OVERVIEW**

Lumen Output: 1346-5260lm

Wattage: 33-120W

Lamping: T5, T5HO

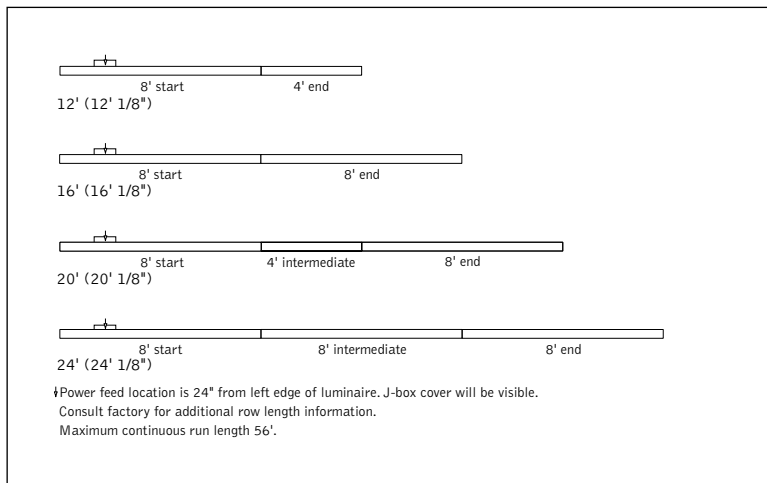
Concave Parabolic Louver  
1-Lamp Up/1-Lamp Down  
T5HO

**53% Efficient**

**1469 cd @ 35°**

Visit [focalpointlights.com](http://focalpointlights.com) for complete photometric data.

**MOUNTING INFORMATION**



**SPECIFICATIONS**

**Construction**

Two-piece, .050" thick housing of extruded aluminum. Corrugated regress trim constructed of 6063-T5 extruded aluminum painted to match fixture. Solid regress trim manufactured with 20 Ga. C.R.S. painted to match fixture. 20 Ga. ballast channel. 16 Ga. internal bulkhead. 14 Ga. steel end caps. 18 Ga. steel rail and brackets. Standard lengths are available in 48" and 96". All luminaires are provided with mounting brackets. 4' unit weight: 20 lbs., 8' unit weight: 32 lbs.

**Optic**

Reflectors fabricated of 22 Ga. Steel finished in High Reflectance White powder coat. Regress satin lens: 125" thick opal white with satin finish. Flush satin lens: extruded DR™ acrylic lens. 156" thick with internal prisms and opal satin finish. Concave parabolic louver: 1"H x 1" frequency fabricated of low iridescent, semi-specular premium grade aluminum.

**Electrical**

Luminaires are pre-wired with factory installed branch circuit wiring and over-molded quick connects. Electronic ballasts are thermally protected and have a Class "P" rating. Consult factory for dimming specifications and availability.

**Labels**

UL and cUL listed.

**Finish**

Polyester powder coat applied over a 5-stage pre-treatment. Mounting brackets, rail and J-Box plate finished in Matte Satin White.

**ORDERING**

<b>Luminaire Series</b>	<b>FAVDW</b>
Avenue D	FAVDW
<b>Shielding</b>	
Corrugated Regressed Trim/Satin Lens <small>(Direct only)</small>	CR
Solid Regressed Trim/Satin Lens <small>(Direct only)</small>	SR
Flush Satin Lens	FL
Concave Parabolic Louver	PL
White Concave Parabolic Louver	PW
<b>Lamping</b>	
One Lamp T5 (Direct only)	1T5
One Lamp T5HO (Direct only)	1T5HO
One Lamp Up/One Lamp Down T5	11T5
One Lamp Up/One Lamp Down T5HO	11T5HO
<b>Circuits</b>	
Single Circuit	1C
Dual Circuit	2C
<b>Voltage</b>	
120 Volt	120
277 Volt	277
347 Volt	347
<small>(Consult factory for dimming options)</small>	
120/277 UNV	UNV
<small>(Not available with 1-lamp T5HO dimming or EM)</small>	
<b>Ballast</b>	
Electronic Program Start <10% THD	S
0-10V	D7
Lutron 1% 3-wire	DH
Lutron 1% H-Series	DK
<b>Mounting</b>	
<b>WM</b>	
Wall Mount	WM
<b>Factory Options</b>	
Opal Acrylic Dust Cover <small>(Symmetric upright distribution only)</small>	DC
Emergency Circuit*	EC
Emergency Battery Pack*	EM
HLR/GLR Fuse	FU
Include 3000K Lamp*	L830
Include 3500K Lamp*	L835
Include 4100K Lamp*	L841
<b>Finish</b>	
Matte White Housing	WH
Titanium Silver	TS
<b>Luminaire Length</b>	
4' Nominal Housing	4'
8' Nominal Housing	8'
12' (8'+4')	12'
16' (8'+8')	16'
20' (8'+4'+8')	20'
24' (8'+8'+8')	24'
<small>(Consult factory for custom lengths) (Maximum continuous run length 56')</small>	

# Avenue® D

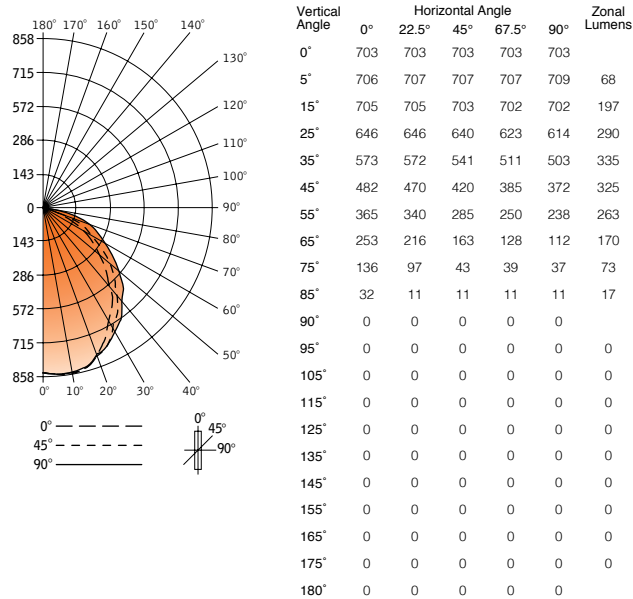
FLUORESCENT - REGRESS LENS

## FAVDW-SR-1T5-1C-120-S-WM-WH-4'

Filename: FAVDWSR1T5.IES  
Test #: 12373.2

Lumens: 1736lm  
Efficiency: 60%

### CANDLEPOWER DISTRIBUTION



### LUMEN SUMMARY

Zone	Lumens	% Lamp	% Fixture
0-30°	555	19.1	31.9
0-40°	889	30.7	51.2
0-60°	1477	50.9	85.1
0-90°	1736	59.9	100
<b>Total Luminaire</b>	<b>1736</b>	<b>59.9</b>	<b>100</b>

### LUMINANCE DATA (CD/M²)

Vertical Angle	0°	45°	90°
45°	8172	7121	6307
55°	7629	5957	4975
65°	7177	4624	3177
75°	6300	1992	1714
85°	4402	1513	1513

### CO-EFFICIENTS OF UTILIZATION

Floor	80	70	20	30	10	00
Ceiling	70	50	30	10	70	50
Wall	70	50	30	10	50	10
RCR	0	71	71	71	71	70
1	66	63	61	59	64	62
2	60	56	52	49	59	55
3	55	49	45	41	54	49
4	51	44	39	35	50	43
5	47	40	35	31	46	39
6	43	36	31	27	42	35
7	40	33	28	24	39	32
8	38	30	25	22	37	29
9	35	27	23	20	34	27
10	33	25	21	18	32	25

Numbers indicate percentage values of reflectivity.

Go to [www.focalpointlights.com](http://www.focalpointlights.com) for additional photometric data.

# Avenue® D

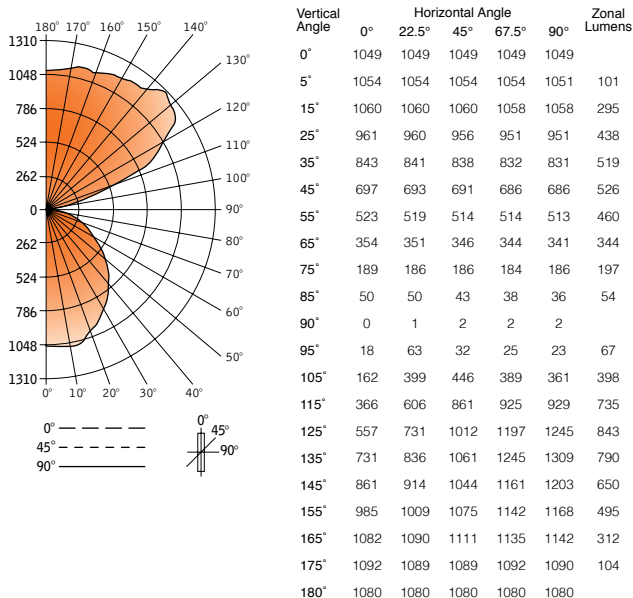
FLUORESCENT - FLUSH LENS

## FAVDW-FL-11T5H-1C-120-S-WM-TS-4'

Filename: FAVDWFL11T5H.IES  
Test #: 12397.2

Lumens: 7329lm  
Efficiency: 73%

### CANDLEPOWER DISTRIBUTION



### LUMEN SUMMARY

Zone	Lumens	% Lamp	% Fixture
0°-30°	834	8.3	11.4
0°-90°	2936	29.4	40.1
90°-130°	2043	20.4	27.9
90°-180°	4393	43.9	59.9
<b>Total Luminaire</b>	<b>7329</b>	<b>73.3</b>	<b>100</b>

### LUMINANCE DATA (CD/M²)

Vertical Angle	0°	45°	90°
45°	23583	23380	23210
55°	21815	21440	21398
65°	20040	19587	19304
75°	17471	17193	17193
85°	13725	11804	9882

### CO-EFFICIENTS OF UTILIZATION

Floor	80	70	20	30	10	00
Ceiling	70	50	30	10	70	50
Wall	70	50	30	10	50	10
RCR	0	77	77	77	77	70
1	70	67	64	62	64	61
2	64	58	54	50	58	53
3	58	51	46	42	53	47
4	53	45	40	35	48	41
5	49	40	34	30	44	37
6	45	36	30	26	41	33
7	41	32	27	23	38	30
8	38	29	24	20	35	27
9	36	27	21	18	32	25
10	33	25	19	16	30	23

Numbers indicate percentage values of reflectivity.

Go to [www.focalpointlights.com](http://www.focalpointlights.com) for additional photometric data.

# Avenue® D

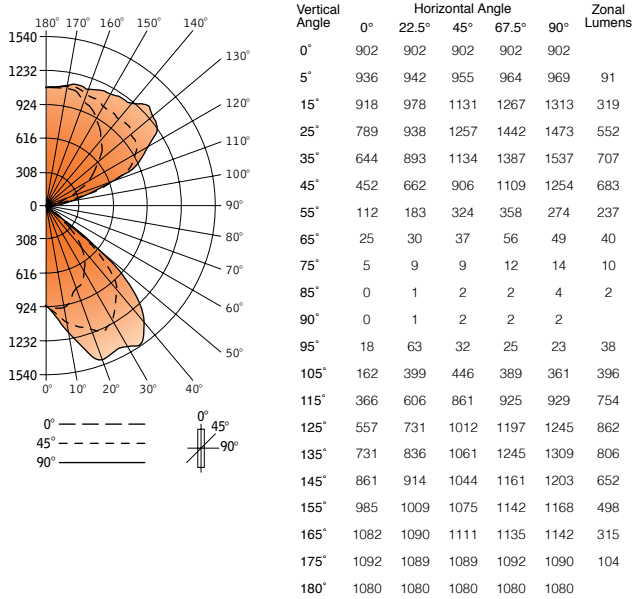
FLUORESCENT - LOUVER

## FAVDW-PL-11T5HO-1C-120-S-WM-TS-4'

Filename: FAVDWPL11T5H.IES  
 Test #: 12596.2

Lumens: 7066lm  
 Efficiency: 71%

### CANDLEPOWER DISTRIBUTION



### LUMEN SUMMARY

Zone	Lumens	% Lamp	% Fixture
0°-30°	962	9.6	13.6
0°-90°	2642	26.4	37.4
90°-130°	205	20.5	29.0
90°-180°	4424	44.2	62.6
<b>Total Luminaire</b>	<b>7066</b>	<b>70.7</b>	<b>100.0</b>

### LUMINANCE DATA (cd/m²)

Vertical Angle	0°	45°	90°
45°	15163	30392	42066
55°	4632	13399	11331
65°	1403	2077	2750
75°	458	825	1283
85°	0	544	1089

### CO-EFFICIENTS OF UTILIZATION

Floor Ceiling Wall	80				70				20 50				30				10				00			
	70	50	30	10	70	50	10		50	10			50	10			50	10			50	10		
RCR 0	74	74	74	74	67	67	67		54	54			42	42			31	31			26	26		
1	68	65	63	61	62	59	56		48	46			38	37			29	28			24	24		
2	63	58	54	51	57	53	47		44	40			35	32			27	25			22	22		
3	58	52	47	44	52	47	40		39	34			32	28			25	23			19	19		
4	53	46	41	37	48	42	35		35	30			29	25			22	20			17	17		
5	49	42	36	32	44	38	30		32	26			26	22			20	18			15	15		
6	45	37	32	28	41	34	27		29	23			24	19			19	16			14	14		
7	42	34	29	25	38	31	23		26	20			21	17			17	14			12	12		
8	38	30	25	22	35	28	20		23	18			19	15			15	12			10	10		
9	36	27	22	19	32	25	18		21	15			17	13			14	11			9	9		
10	33	25	20	17	30	23	16		19	14			16	11			12	9			8	8		

Numbers indicate percentage values of reflectivity.

Go to [www.focalpointlights.com](http://www.focalpointlights.com) for additional photometric data.