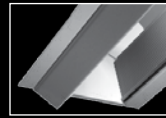


# Avenue® A

FLUORESCENT MR16



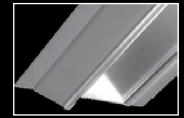
FOCAL POINT®



open optic



cut-off louvers



clear lens



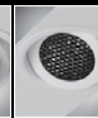
flush mount mr16  
(35° adjustment)



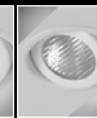
extended yoke mr16  
(90° adjustment)



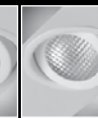
snoot



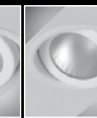
hex louvers



linear



prismatic

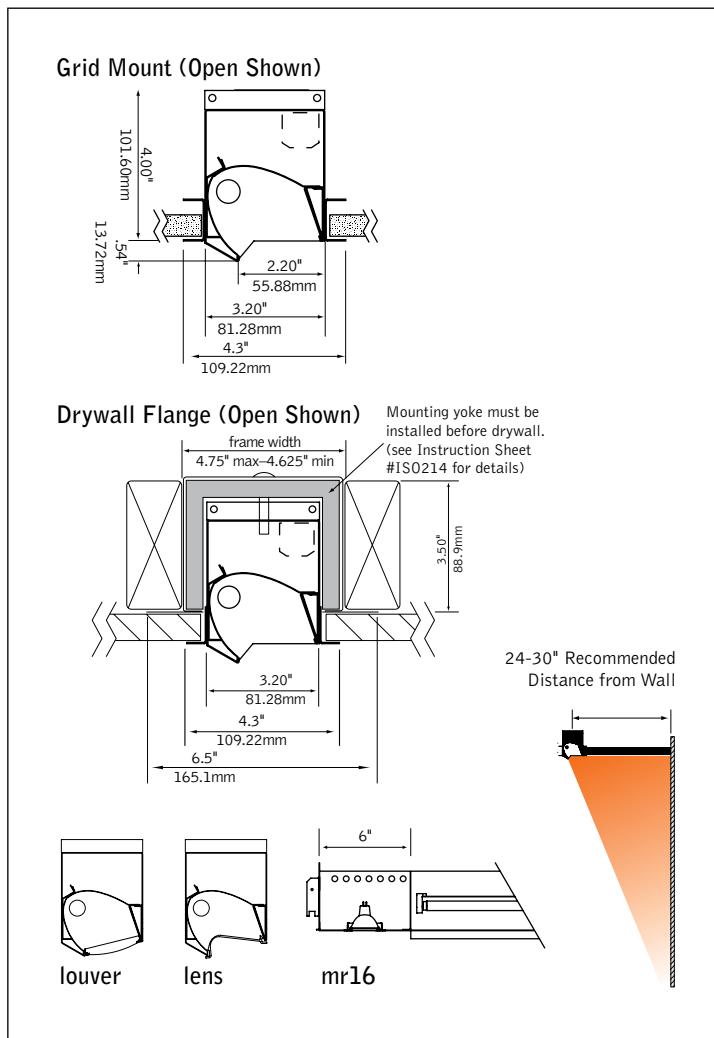


sand  
blasted



soft focus

## DIMENSIONAL DATA



## FEATURES

Narrow aperture T5/T5HO fluorescent wall wash with 2-MR16 halogen lamps (50w max).

Precision micro-optic delivers shadow free fluorescent illumination from the ceiling to the floor.

Features 2" narrow aperture for clean unobtrusive aesthetic.

Great solution for conference rooms, highlighting artwork, corridors, or any application that requires high levels of vertical illumination using both fluorescent and halogen lamp sources.

## PERFORMANCE

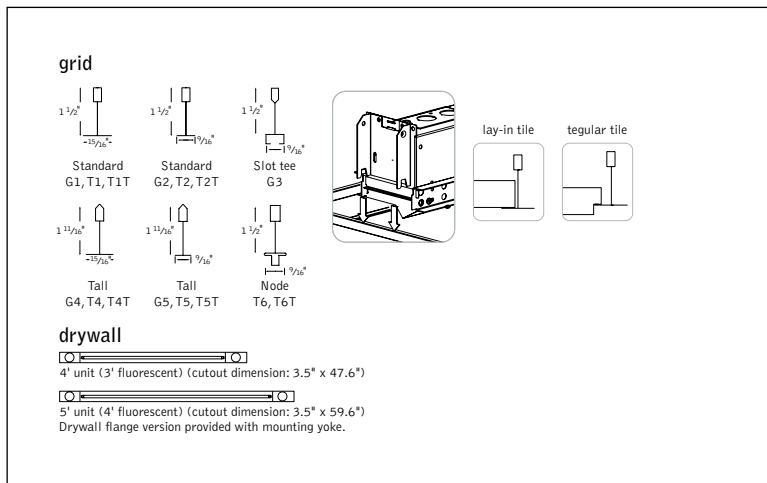
**PRODUCT OVERVIEW**

Lumen Output: 548-4004lm  
Wattage: 56-191W  
Lamping: T5, T5HO, MR16

1-Lamp T5HO  
57% Efficient  
1933 cd @ 25°

Visit focalpointlights.com for complete photometric data.

**MOUNTING INFORMATION**



**SPECIFICATIONS**

**Construction**

One-piece 20 Ga. steel housing. 20 Ga., steel MR16 housing and faceplate. Two-piece, 20 Ga. spun steel MR16 assembly available in flush mount or with extended yoke. Grid luminaires include 20 Ga. steel, .5" wide flange rail finished in matte satin white. Drywall flange option is provided with 20 Ga. steel, .5" wide flange kit and 20 Ga. galvanized steel mounting yoke. 4' unit weight: 7 lbs., 5' unit weight: 10 lbs.

**Optic**

.020" specular aluminum upper reflector and .020" semi-specular lower reflector. 24 Ga. perforated matte black diffuser with 24% opening. Cut-off louver: .375" H x 1" frequency fabricated of 24 Ga. steel. Cut-off louver painted Matte Satin White as standard. Perforated diffuser always Matte Black. Clear lens: .060" thick clear acrylic. MR16 lens: .125" thick tempered clear glass supplied.

**Electrical**

Luminaires are individually wired for specified circuits. Thru-wiring not available. Electronic ballasts are thermally protected and have a Class "P" rating. Electronic 12V, MR16 dimming transformer, 50w max each. Optional dimming ballasts available. Consult factory for dimming specifications and availability. Thermal protector included.

**Labels**

UL listed for non-insulated ceiling applications only.

**Finish**

Polyester powder coat applied over a 5-stage pre-treatment. Perforated diffuser always finished in Matte Black. Cut-off louver painted Matte Satin White as standard. MR16 gimbal finished to match housing.

**ORDERING**

<b>Luminaire Series</b>	<b>FAVA</b>	_____
Avenue A	FAVA	_____
<b>Shielding</b>		_____
No Shielding, Open Optic	NS	_____
Radial Cut-Off Louver (Louver always painted white)	RL	_____
Snap-on Clear Lens (Note: shielding options are not interchangeable in the field)	CL	_____
<b>Lamping</b> (MR16 lamps provided by others)		_____
One Lamp T5	T5T	_____
One Lamp T5HO	T5HO	_____
<b>Circuits</b>		_____
Dual Circuit (Fluor. switched separately from incand.)	2C	<b>2C</b>
<b>Voltage</b>		_____
120 Volt	120	_____
277 Volt	277	_____
<b>Ballast</b>		_____
Electronic Program Start <10% THD	S	_____
0-10V	D7	_____
Lutron 1% 3-wire	DH	_____
Lutron 1% H-Series	DK	_____
<b>Ceiling Configurations*</b>		_____
Drywall Flange	F	_____
Std. 15/16" Lay-in	G1	_____
Std. 15/16" Tegular	T1	_____
Std. 15/16" Tegular, against Tee	T1T	_____
Std. 9/16" Lay-in	G2	_____
Std. 9/16" Tegular	T2	_____
Std. 9/16" Tegular, against Tee	T2T	_____
9/16" Slot-tee Tegular	G3	_____
Tall 15/16" Lay-in	G4	_____
Tall 15/16" Tegular	T4	_____
Tall 15/16" Tegular, against Tee	T4T	_____
Tall 9/16" Lay-in	G5	_____
Tall 9/16" Tegular	T5	_____
Tall 9/16" Tegular, against Tee	T5T	_____
Node 9/16" Tegular	T6	_____
Node 9/16" Tegular, against Tee	T6T	_____
<b>Factory Options</b>		_____
Chicago Plenum (T5 only, 37W MR16 max)	CP	_____
Emergency Battery Pack (3' & 4' Luminaires Only)	EM	_____
Positional Clips	EQ	_____
6' New York City Flex Whip	FNY	_____
6' Flex Whip	FW	_____
HLR/GLR Fuse	FU	_____
Include 3000K Lamp*	L830	_____
Include 3500K Lamp*	L835	_____
Include 4100K Lamp*	L841	_____
Wattage Restriction Label (xx= wattage)	WRXX	_____
<b>mr16 (50W max.) lamp qty. &amp; gimbal type</b> (Clear lens supplied)		_____
Flush Mount	2FM	_____
Extended Yoke Gimbal	2EG	_____
<b>mr16 Options</b>		_____
Snoot	SN	_____
Hex louver	HL	_____
Linear Spread Lens	LSL	_____
Prismatic Spread Lens	PSL	_____
Sand Blasted Lens	SBL	_____
Soft Focus Lens	SFL	_____
<b>Finish</b>		_____
Matte White Housing	WH	_____
Matte Black Housing	BK	_____
Titanium Silver	TS	_____
(Perforated diffuser always painted black)		
<b>Luminaire Length</b>		_____
4' Nominal Housing (3' fluor. lamp)	4'	_____
5' Nominal Housing (4' fluor. lamp)	5'	_____
(For row mount in drywall ceiling, specify luminaire run length, ie 24')		

# Avenue® A

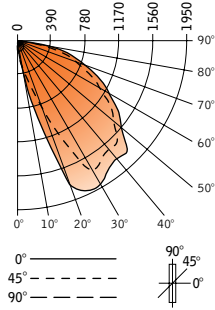
FLUORESCENT - OPEN OPTIC

## FAVA-NS-1T5HO-1C-120-S-G-WH-4'

Filename: FAVANS1T5H.IES  
Test #: 12355.0

Lumens: 2861lm  
Efficiency: 57%

### CANDLEPOWER DISTRIBUTION



Vertical Angle	Horizontal Angle				Zonal Lumens
	0°	22.5°	45°	67.5°	
0°	108	108	108	108	108
5°	276	256	214	154	101
15°	919	771	499	291	102
25°	1933	1873	1300	415	101
35°	1832	1799	1695	707	96
45°	1806	1775	1647	1296	88
55°	1434	1416	1329	1108	74
65°	1072	1052	962	811	56
75°	655	631	568	458	39
85°	317	294	224	129	14
90°	183	165	112	40	2
95°	0	0	0	0	0
105°	0	0	0	0	0
115°	0	0	0	0	0
125°	0	0	0	0	0
135°	0	0	0	0	0
145°	0	0	0	0	0
155°	0	0	0	0	0
165°	0	0	0	0	0
175°	0	0	0	0	0
180°	0	0	0	0	0

### LUMEN SUMMARY

Zone	Lumens	% Lamp	% Fixture
0-30°	376	7.5	13.2
0-40°	784	15.7	27.4
0-60°	1975	39.5	69.0
0-90°	2861	57.2	100.0
<b>Total Luminaire 0-180°</b>	<b>2861</b>	<b>57.2</b>	<b>100.0</b>

Go to [www.focalpointlights.com](http://www.focalpointlights.com) for additional photometric data.

# Avenue® A

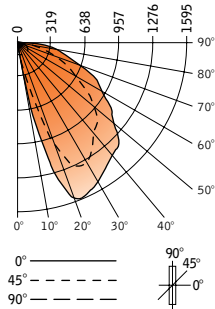
FLUORESCENT - LOUVER

## FAVA-RL-1T5HO-1C-120-S-G1-WH-4'

Filename: FAVARL1T5H.IES  
Test #: 12597.0

Lumens: 2032lm  
Efficiency: 41%

### CANDLEPOWER DISTRIBUTION



Vertical Angle	Horizontal Angle				Zonal Lumens
	0°	22.5°	45°	67.5°	
0°	120	120	120	120	120
5°	175	161	137	129	120
15°	1212	1043	556	187	121
25°	1581	1520	1301	404	137
35°	1457	1370	1228	774	144
45°	1354	1255	1070	835	131
55°	1077	952	783	582	118
65°	787	662	509	342	107
75°	441	360	244	119	66
85°	171	124	65	39	17
90°	67	51	13	0	0
95°	0	0	0	0	0
105°	0	0	0	0	0
115°	0	0	0	0	0
125°	0	0	0	0	0
135°	0	0	0	0	0
145°	0	0	0	0	0
155°	0	0	0	0	0
165°	0	0	0	0	0
175°	0	0	0	0	0
180°	0	0	0	0	0

### LUMEN SUMMARY

Zone	Lumens	% Lamp	% Fixture
0-30°	365	7.3	17.9
0-40°	737	14.7	36.3
0-60°	1564	31.3	76.9
0-90°	2018	40.4	99.3
<b>Total Luminaire 0-180°</b>	<b>2032</b>	<b>40.6</b>	<b>100.0</b>

Go to [www.focalpointlights.com](http://www.focalpointlights.com) for additional photometric data.

# Avenue<sup>®</sup> A

## FLUORESCENT GRID CEILING CONFIGURATIONS



Avenue A is configured at our factory to integrate easily with your specified grid type, tile style and fixture position. Please review the below options and choose the mounting code that matches your application.

