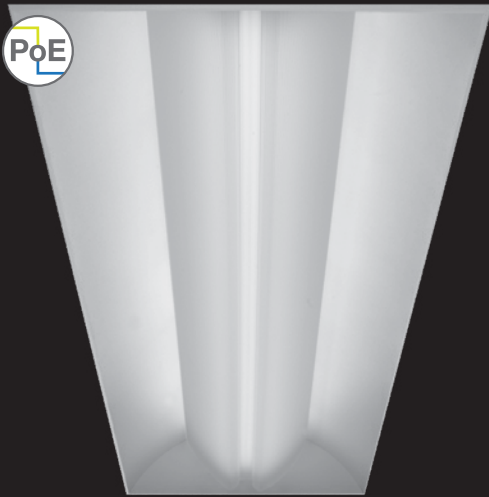
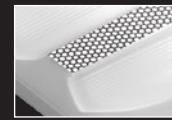


# Aerion<sup>®</sup> 1x4

LED



standard diffuser



round accent strip



square accent strip



red insert

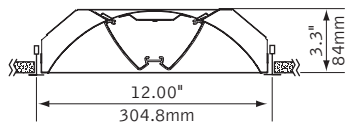


green insert

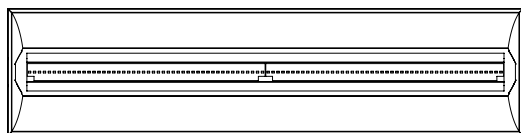


blue insert

## DIMENSIONAL DATA



Overall height for luminaire with Air Return is 3.96"



2 LED boards

## FEATURES

Architectural recessed LED luminaire.

Aerion's sweeping curves and contemporary lines complement architecture.

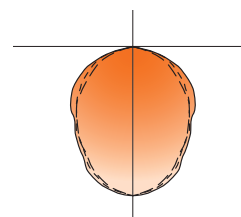
Aerion's center lamp chamber provides minimal contrast between the diffuser and side reflectors creating even illumination and comfort.

Aerion features a shallow 3.3" housing depth which flies under the radar of most plenum obstructions.

The lamp diffuser has been designed with an upper and lower track that accepts individual or combinations of accent strips.

PoE compatible: Integrates with Power over Ethernet lighting systems via standard, low-voltage wires.

## PERFORMANCE



### PRODUCT OVERVIEW

Lumen Output:	2500-4000lm
Wattage:	23-40W
LPW:	100-109
SDCM:	3

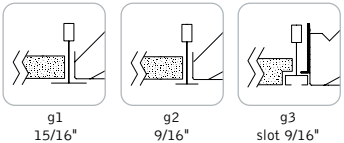
**Delivered Lumens: 3000lm**  
**Total System Watts: 28W**



Photometric performance is measured in accordance with IESNA LM-79. Visit [focalpointlights.com](http://focalpointlights.com) for complete photometric data. Visit [designlights.org/QPL](http://designlights.org/QPL) for model specifics.

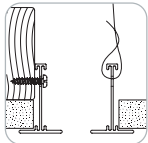
**MOUNTING INFORMATION**

**grid**  
for lay-in grid, specify G1, G2 or G3.



g1 15/16"      g2 9/16"      g3 slot 9/16"

**drywall frame kit**  
specify "DF" Drywall Frame Kit for drywall ceiling conditions.



Use tie-wire or screws to secure frame kit.

cut out dimensions:  
1': Min: 12.25" Max: 12.563"  
4': Min: 48.25" Max: 48.563"

**SPECIFICATIONS**

**LED System**

Proprietary linear LED module incorporates premium LEDs on a robust platform to achieve excellent thermal management. LEDs are placed to promote a uniform appearance. Available in 3000K, 3500K or 4000K with CRI>80, 3 SDCM. 0-10V dimming driver standard. LED modules are replaceable from below.

**Construction**

One piece 20 Ga. steel reflector and housing. 20 Ga. steel ends form finishing housing. Side access 20 Ga. steel ballast compartment. Positional brackets supplied as standard. Unit weight: 16 lbs.

**Optic**

20 Ga. steel reflectors finished in matte satin white powder coat. .095" thick frosted white acrylic lamp diffusers with linear micro-prism pattern. Optional .020" thick acrylic accent strip available in round or square pattern.

**Electrical**

Standard 120-277V driver includes 0-10V analog dimming. Power factor > .9. Optional EcoSystem or forward phase dimming drivers from Lutron available. PoE compatible: Integrates with Power over Ethernet lighting systems via standard, low-voltage wires.

**Emergency Battery**

Bodine BSL310-CAN. Emergency output—10 watts for 90 minutes.

**Labels**

UL and cUL Listed. Suitable for Dry or Damp Locations, indoor use only.

**Finish**

Polyester powder coat applied over a multi-stage pre-treatment. Optional Matte Satin White with anti-microbial coating provides 99.99% protection against a broad spectrum of micro-organisms.

**Lumen Maintenance**

Reported: L90 at >61,000 hours      Calculated: L90 at 114,000 hours  
Derived from EPA TM-21 calculator. Based on typical conditions, consult factory for additional data.

**Reliability**

At Focal Point, our products are designed to stand the test of time. Each luminaire is engineered using superior components, manufactured with the utmost care and rigorously tested. Contact us for reliability data.

**Warranty**

LED system rated for operation in ambient environments up to 25°C. 5-year limited warranty.

**PERFORMANCE CHART**

Delivered Lumens		Tested System Watts	LPW
2500 Lumens	2500L	23	109
3000 Lumens	3000L	28	107
3500 Lumens	3500L	34	103
4000 Lumens	4000L	40	100

Lumen output may vary +/- 5%. Actual wattage may vary +/- 5%

Focal Point LLC reserves the right to change specifications for product improvement without notification.

**ORDERING**

<b>Luminaire Series</b>	<b>Aerion LED</b>	<b>FARL</b>	<b>FARL</b>
<b>Nominal Size</b>	1' x 4'	14	<b>14</b>
<b>Shielding</b>	<b>Acrylic Diffuser</b>	AC	
	Acrylic Diffuser with Round Accent Strip	RA	
	Acrylic Diffuser with Square Accent Strip	SA	
<b>Optional Color Inserts</b>	(Leave blank for no color)		
	Red	R	
	Green	G	
	Blue	B	
<b>Lumen Output</b>	2500 Lumens	2500L	
	3000 Lumens	3000L	
	3500 Lumens	3500L	
	4000 Lumens	4000L	
<b>Color Temperature</b>	3000K	30K	
	3500K	35K	
	4000K	40K	
<b>Circuit</b>	Single Circuit	1C	<b>1C</b>
<b>Voltage</b>	120 Volt	120	
	277 Volt	277	
	UNV Volt	UNV	
	<small>(Cannot be specified with EM options)</small>		
	Low Voltage	LV	
<b>Control System &amp; Dimming Level</b>	0-10V - 1% Dimming	L11	
	0-10V - 10% Dimming	LD1	
	Low Voltage, PoE compatible	LVN	
	<small>(No driver. Not available with EM or EC. LV Voltage only.)</small>		
	Lutron H-Series - 1% Dimming	LH1	
	Lutron 5-Series - 5% EcoSystem Digital	LU5	
	Lutron Hi-Lume - Forward Phase - 1% Dimming	LTE	
		<small>(120 only)</small>	
	Step Dimming	SD5	
	DALI - 1% Dimming	D11	
		<small>(Consult factory)</small>	
<b>Mounting</b>	15/16" Grid	G1	
	9/16" Grid	G2	
	9/16" Slot Tee	G3	
	Drywall Frame Kit	F	
	<small>(Cut out dimensions: Min: 12.25"/Max: 12.563" Min: 48.25"/Max: 48.563")</small>		
<b>Factory Options</b>	Air Return	AR	
	<small>(Overall height for luminaire with Air Return is 3.96")</small>		
	Chicago Plenum	CP	
	Emergency Battery Pack with Integral Test Switch	EM	
	6' New York City Flex Whip	FNY	
	6' Flex Whip	FW	
<b>Finish</b>	Matte White Housing	WH	
	Matte Satin White with Anti-Microbial Coating	WHA	

For more information visit focalpointlights.com/reference or consult factory.