

# FAPL MOUNTING INSTRUCTION

## SAFETY AND INSTALLATION INSTRUCTIONS

FIXTURES MUST BE INSTALLED BY A QUALIFIED ELECTRICIAN (CHECK WITH LOCAL AND NATIONAL CODES FOR PROPER INSTALLATION). TO PREVENT ELECTRICAL SHOCK, DISCONNECT ELECTRICAL SUPPLY BEFORE INSTALLATION OR SERVICING.

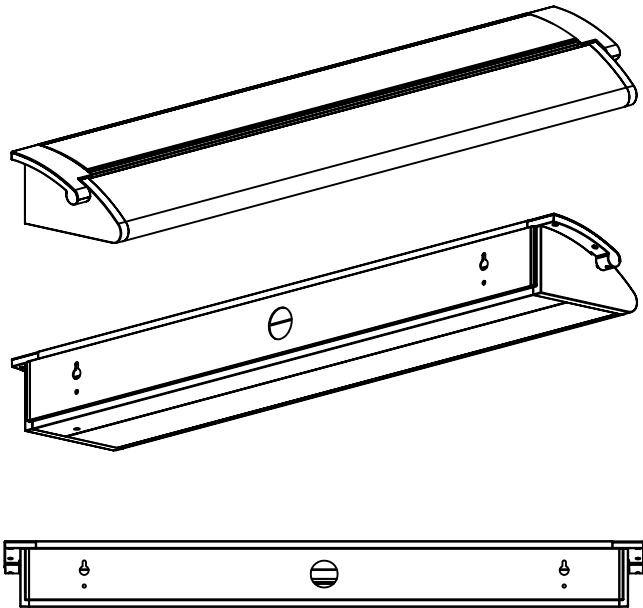
1. READ ALL INSTRUCTIONS PRIOR TO INSTALLATION.
2. DISCONNECT ELECTRICAL POWER BEFORE SERVICING LUMINAIRE.
3. REMOVE PLASTIC SLEEVE AFTER INSTALLATION IS COMPLETE.
4. TO AVOID DAMAGE, KEEP LUMINAIRE IN ORIGINAL CARTON.
5. DO NOT PLACE HEAVY OBJECTS ON CARTONS.

### UNIT DESCRIPTIONS

FAPL  
(ADJUSTABLE PATIENT LIGHT)

Dimensions: 9.48" deep x 53.25" long x 5.49" high

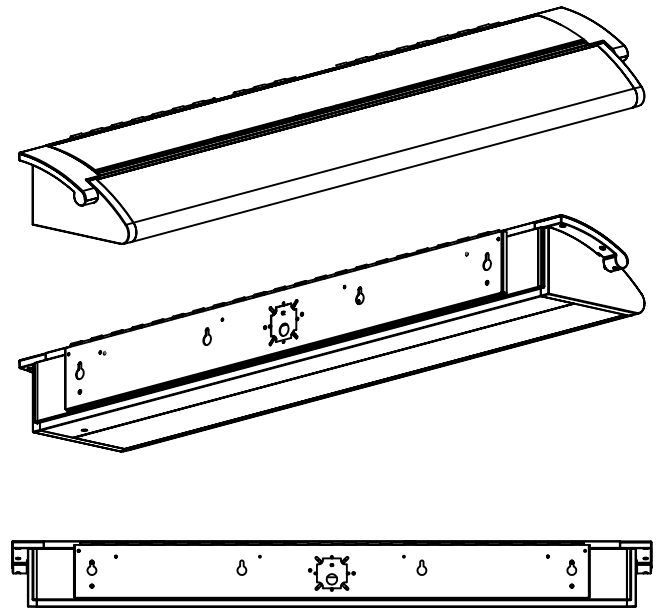
Weight: 32 lbs



FAPL-BP  
(APL WITH BED POWER DISCONNECT)

Dimensions: 10.16" deep x 53.25" long x 5.49" high

Weight: 40 lbs



CONTRACTOR IS RESPONSIBLE FOR ADEQUATELY REINFORCING WALLS AND/OR CEILINGS TO SUPPORT FIXTURE WEIGHT. FOCAL POINT, L.L.C. ACCEPTS NO RESPONSIBILITY FOR INADEQUATELY REINFORCED WALLS AND/OR CEILINGS.

THE INFORMATION CONTAINED IN THIS DRAWING IS THE SOLE PROPERTY OF FOCAL POINT LLC. ANY REPRODUCTION IN PART OR WHOLE WITHOUT THE WRITTEN PERMISSION OF FOCAL POINT LLC IS PROHIBITED.

2006 © FOCAL POINT LLC



FOCAL POINT®

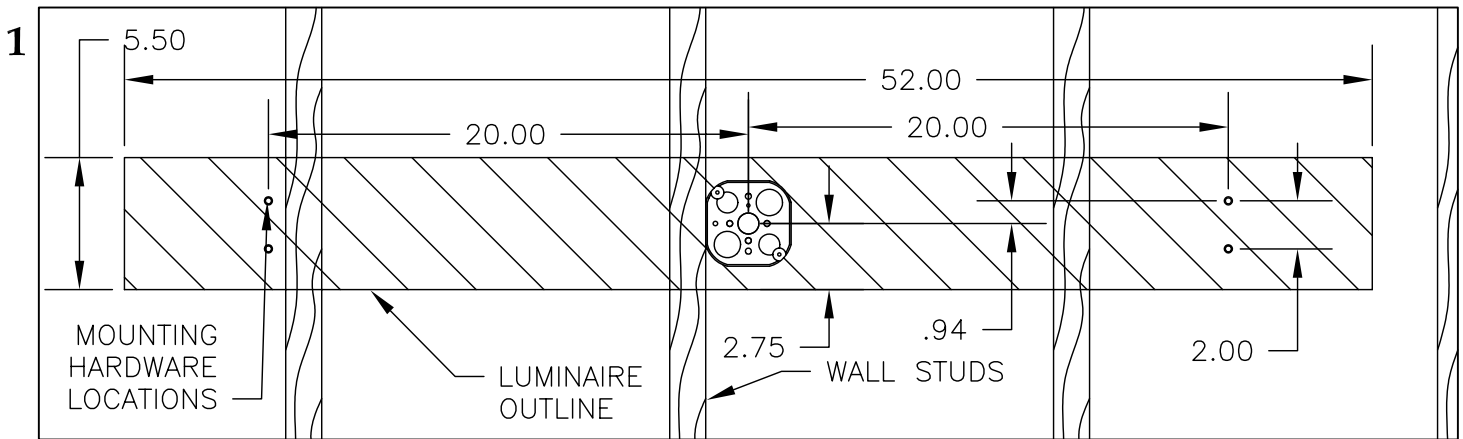
INSTALLATION GUIDE NO.

IS0220

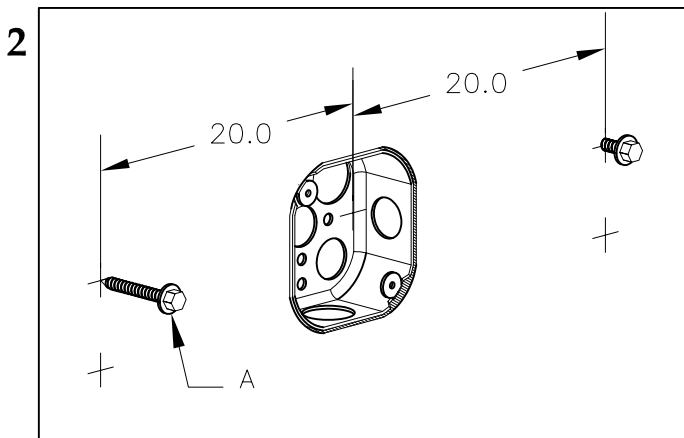
DWG. NO.

REV. A

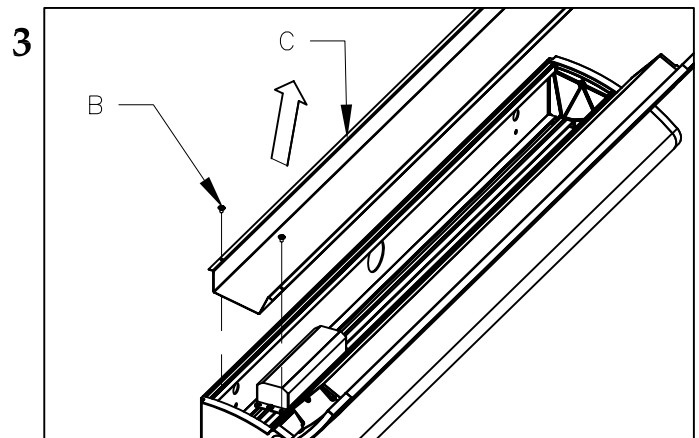
# STANDARD LUMINAIRE



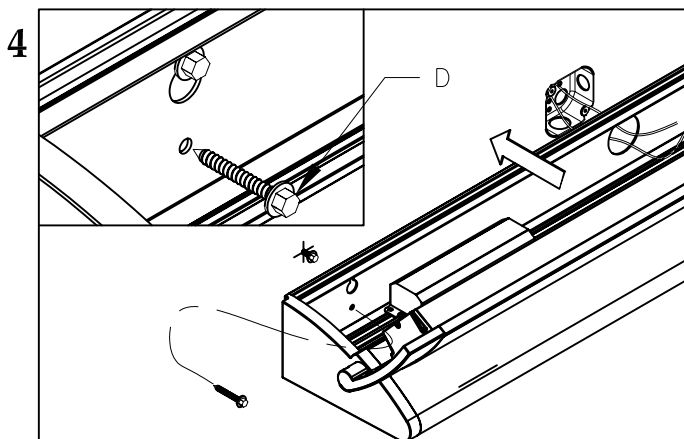
PREPARE LUMINAIRE MOUNTING AREA. THE HATCHED AREA SHOWN ABOVE TO BE REINFORCED TO SUPPORT LUMINAIRE. VERTICAL LOCATION OF CENTER OF JUNCTION BOX TO BE 2.75" ABOVE THE BOTTOM OF LUMINAIRE. MARK MOUNTING HOLE LOCATIONS PER DIMENSIONS SHOWN.



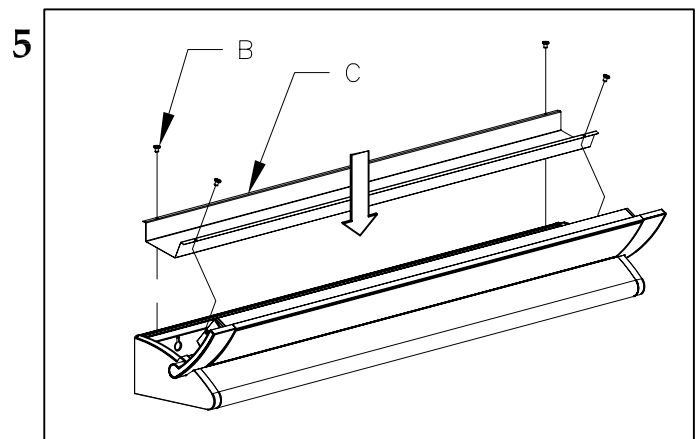
INSTALL TWO UPPER MOUNTING SCREWS <A> (SUPPLIED BY OTHERS). 1/4 " DIAMETER SCREWS WITH WASHER HEAD ARE RECOMENDED (.70" MAXIMUM WASHER DIAMETER). LEAVE ABOUT 1/4" SPACING BETWEEN SURFACE AND WASHER.



SWING EXAM LIGHT SECTION FORWARD, UNSCREW FOUR #8 SCREWS<B> AND REMOVE WIREWAY COVER<C> TO EXPOSE WIRING COMPARTMENT.

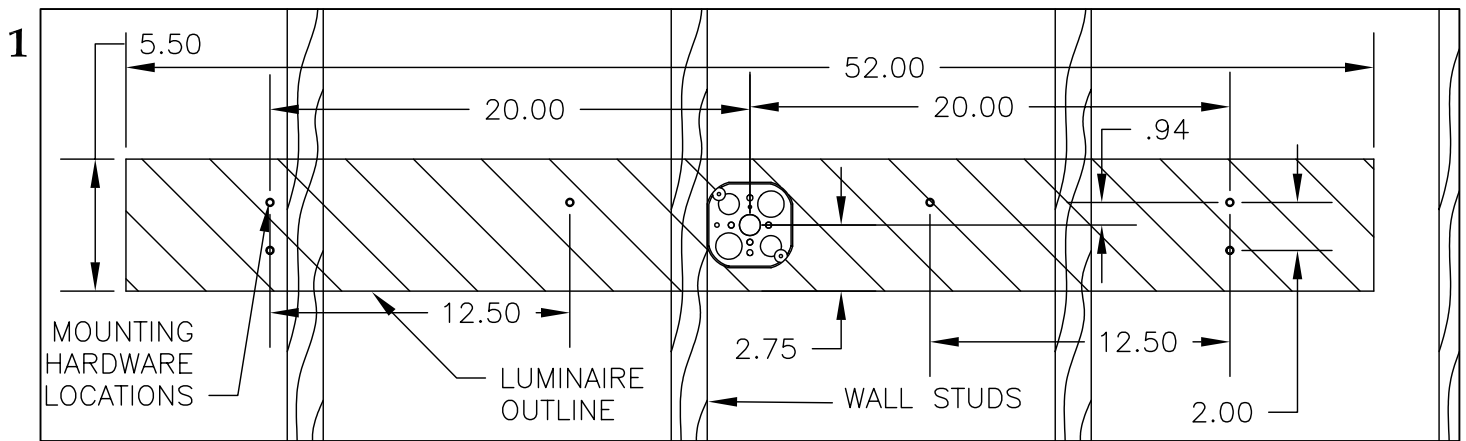


INSTALL LUMINAIRE BY HOOKING ONTO TWO SCREWS ON THE WALL (BY OTHERS) THROUGH KEYHOLE SLOTS OF LUMINAIRE (SEE INSET). TIGHTEN MOUNTING SCREWS AGAINST HOUSING AS SHOWN IN INSET. INSTALL TWO BOTTOM 1/4" DIAMETER SCREWS<D> (BY OTHERS) TO LUMINAIRE. MAKE ELECTRICAL CONNECTIONS.

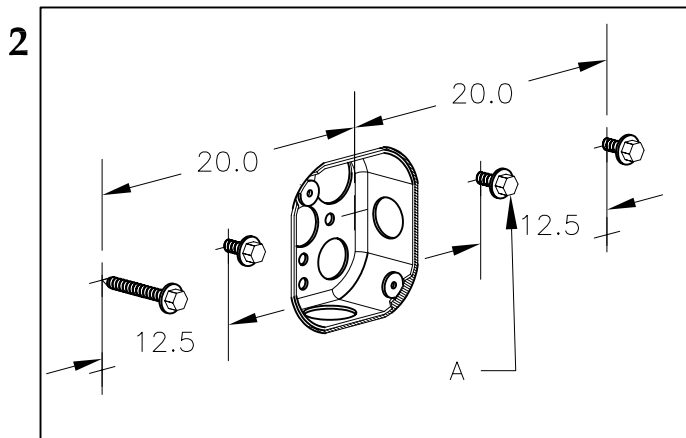


REINSTALL THE WIREWAY COVER<C> AND FASTEN THE SCREWS<B>.

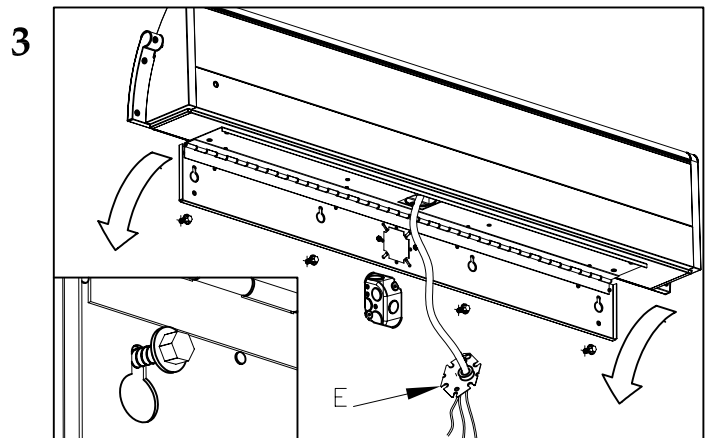
# BED POWER OPTION



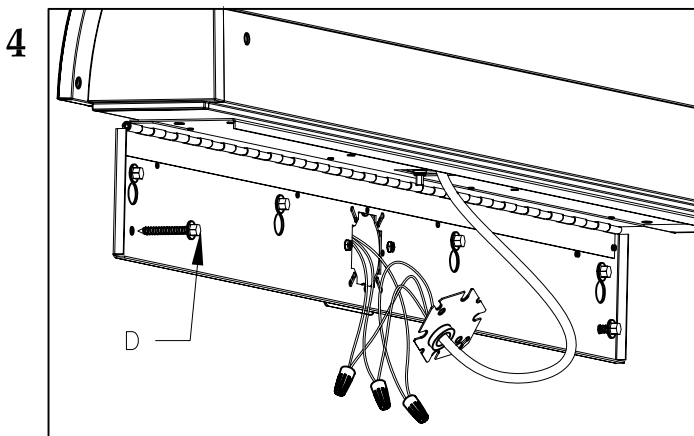
PREPARE LUMINAIRE MOUNTING AREA. THE HATCHED AREA SHOWN ABOVE TO BE REINFORCED TO SUPPORT LUMINAIRE. VERTICAL LOCATION OF CENTER OF JUNCTION BOX TO BE 2.75" ABOVE THE BOTTOM OF LUMINAIRE. MARK MOUNTING HOLE LOCATIONS PER DIMENSIONS SHOWN.



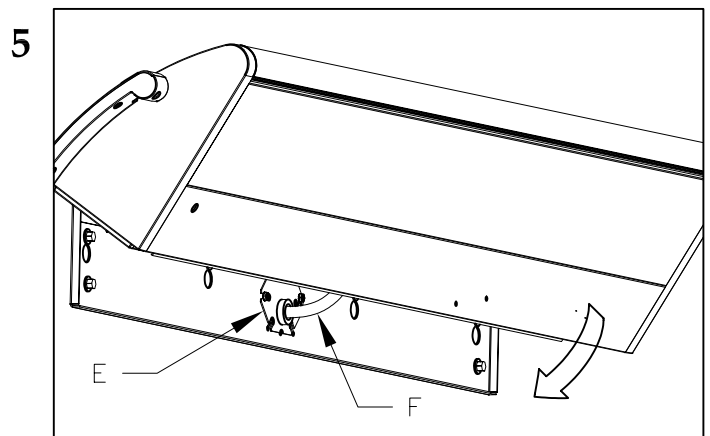
INSTALL FOUR UPPER MOUNTING SCREWS<A>(SUPPLIED BY OTHERS). 1/4" DIAMETER SCREWS WITH WASHER HEAD ARE RECOMENDED (.70" MAXIMUM WASHER DIAMETER). LEAVE ABOUT 1/4" SPACING BETWEEN SURFACE AND WASHER.



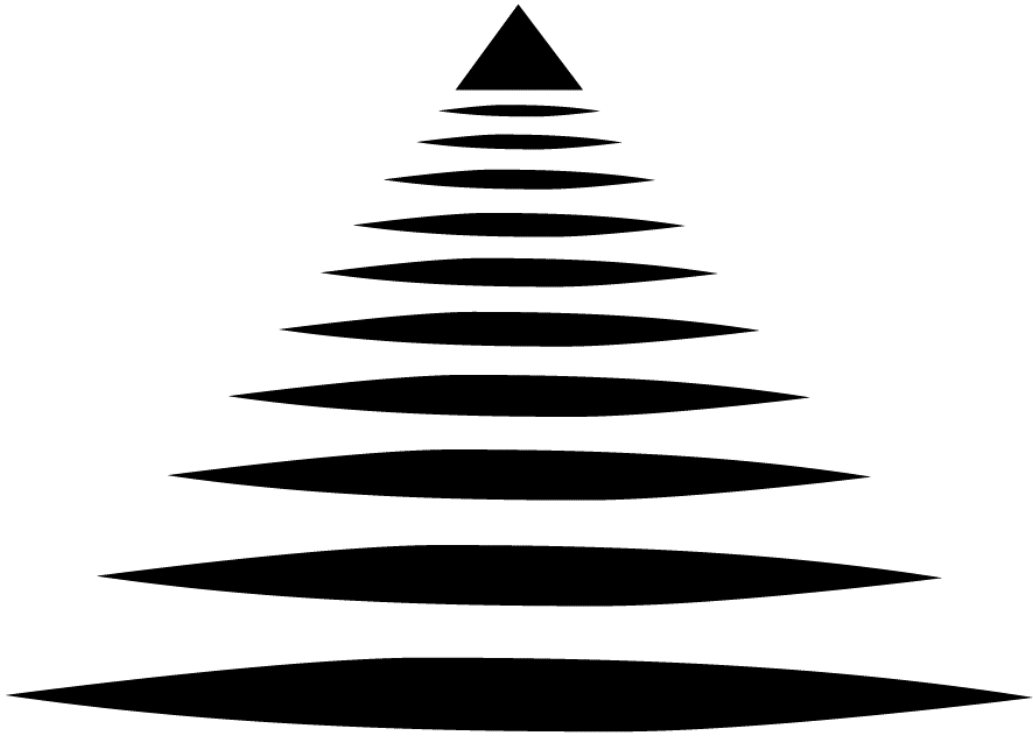
SWING OPEN HINGED MOUNTING PLATE. REMOVE ACCESS PLATE<E> FROM MOUNTING PLATE. INSTALL LUMINAIRE BY HOOKING ONTO FOUR SCREWS ON THE WALL THROUGH KEYHOLE SLOTS ON MOUNTING PLATE.



TIGHTEN MOUNTING SCREWS AGAINST MOUNTING PLATE. INSTALL TWO 1/4" DIAMETER BOTTOM SCREWS (BY OTHERS). MAKE ELECTRICAL CONNECTIONS.



REINSTALL ACCESS PLATE<E> AND LOWER THE LUMINAIRE. MAKE SURE THE WIRE BUNDLE WITH FIBERGLASS SLEEVE<F> IS INSIDE LUMINAIRE AND NOT PINCHED BETWEEN HOUSING AND WALL PLATE



**FOCAL POINT®**