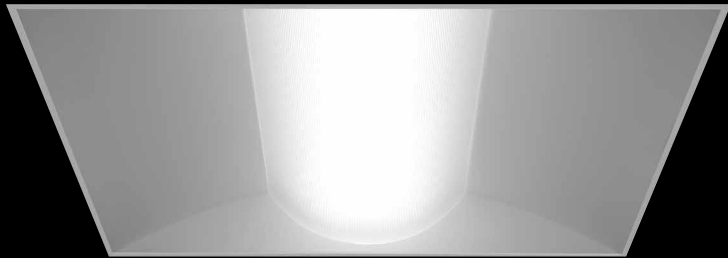


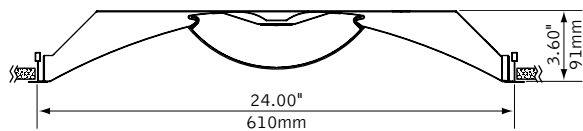
# Amica® 2x2

LED



lens detail

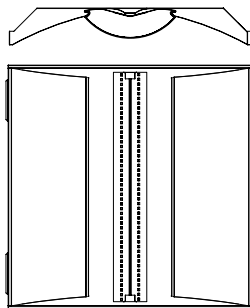
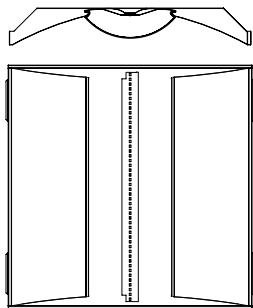
## DIMENSIONAL DATA



### led options

Standard

High Efficiency



1 LED board

2 LED boards

## FEATURES

Architectural recessed LED luminaire.

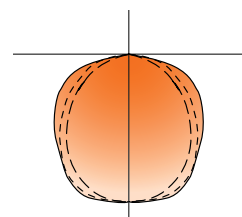
Sweeping curves and classic lines complement architecture.

Amica's center ribbed diffuser masks LED brightness and image to create even illumination.

Amica features a shallow 3.6" housing depth which flies under the radar of most plenum obstructions.

PoE compatible: Integrates with Power over Ethernet lighting systems via standard, low-voltage wires.

## PERFORMANCE



### PRODUCT OVERVIEW

Lumen Output: 2000-4000lm

Wattage: 19-41W

LPW: 94-105

SDCM: 3

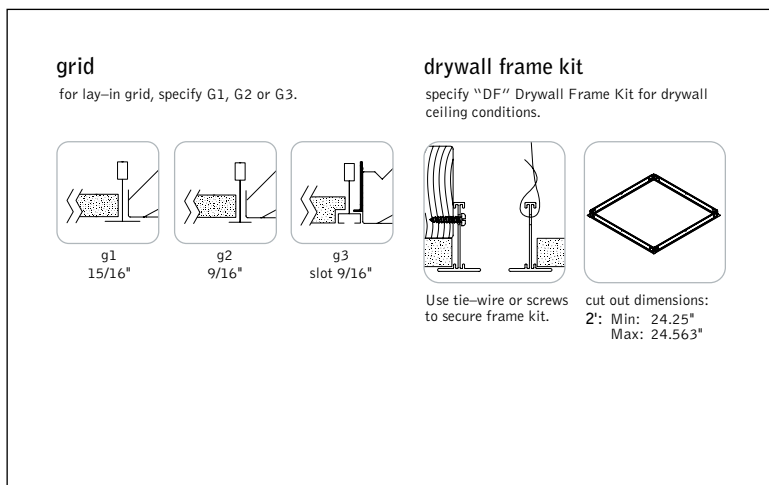
High Performance  
2500 Lumens (2500LH)

**Delivered Lumens: 2500lm**

**Total System Watts: 24W**

Photometric performance is measured in accordance with IESNA LM-79. Visit [focalpointlights.com](http://focalpointlights.com) for complete photometric data.

**MOUNTING INFORMATION**



**SPECIFICATIONS**

**LED System**

Proprietary linear LED module incorporates premium LEDs on a robust platform to achieve excellent thermal management. LEDs are placed to promote a uniform appearance. Available in 3000K, 3500K or 4000K with CRI>80, 3 SDCM. 0-10V dimming driver standard. LED modules and drivers are replaceable from below.

**Construction**

One piece 20 Ga. steel reflector and housing. Side access 20 Ga. steel driver compartment. Positional brackets supplied as standard. Unit weight: 17 lbs.

**Optic**

20 Ga. steel reflectors finished in matte satin white powder coat. .095" thick frosted white acrylic lamp diffusers with linear micro-prism pattern.

**Electrical**

Standard 120-277V driver includes 0-10V analog dimming. Power factor > .9. Optional EcoSystem or forward phase dimming drivers from Lutron available. PoE compatible: Integrates with Power over Ethernet lighting systems via standard, low-voltage wires.

**Emergency Battery**

Bodine BSL310-CAN. Emergency output—10 watts for 90 minutes. Grid and Drywall Frame kit mounting only.

**Labels**

UL and cUL Listed. Suitable for Dry or Damp Locations, indoor use only.

**Finish**

Polyester powder coat applied over a 5-stage pre-treatment. Optional Matte Satin White with anti-microbial coating provides 99.99% protection against a broad spectrum of micro-organisms.

**Lumen Maintenance**

Reported: L90 at >61,000 hours      Calculated: L90 at 114,000 hours  
Derived from EPA TM-21 calculator. Based on typical conditions, consult factory for additional data.

**Reliability**

At Focal Point, our products are designed to stand the test of time. Each luminaire is engineered using superior components, manufactured with the utmost care and rigorously tested. Contact us for reliability data.

**Warranty**

LED system rated for operation in ambient environments up to 25°C. 5-year limited warranty.

**PERFORMANCE CHART**

| Delivered Lumens |        | Tested System Watts | LPW |
|------------------|--------|---------------------|-----|
| 2000 Lumens      | 2000L  | 19                  | 105 |
|                  | 2500L  | 26                  | 96  |
| 2500 Lumens      | 2500LH | 24                  | 104 |
|                  | 3000L  | 32                  | 94  |
| 3000 Lumens      | 3000LH | 29                  | 103 |
|                  | 3500L  | 35                  | 100 |
| 4000 Lumens      | 4000LH | 41                  | 98  |

Lumen output may vary +/- 5%. Actual wattage may vary +/- 5%

Focal Point LLC reserves the right to change specifications for product improvement without notification.

**ORDERING**

|  |             |             |
|--|-------------|-------------|
| <b>Luminaire Series</b>  | <b>FAML</b> | <b>FAML</b> |
| Amica LED  | FAML        |             |
| <b>Nominal Size</b>  | <b>22</b>   | <b>22</b>   |
| 2' x 2'  | 22          |             |
| <b>Shielding</b>   | <b>ACR</b>  | <b>ACR</b>  |
| Radial Acrylic Diffuser  | ACR         |             |
| <b>Lumen Output</b>  |             |             |
| Standard   |             |             |
| 2000 Lumens  | 2000L       |             |
| 2500 Lumens  | 2500L       |             |
| 3000 Lumens  | 3000L       |             |
| High Efficiency  |             |             |
| 2500 Lumens  | 2500LH      |             |
| 3000 Lumens  | 3000LH      |             |
| 3500 Lumens  | 3500LH      |             |
| 4000 Lumens  | 4000LH      |             |
| <b>Color Temperature</b>   |             |             |
| 3000K, 80+ CRI   | 30K         |             |
| 3500K, 80+ CRI   | 35K         |             |
| 4000K, 80+CRI  | 40K         |             |
| <b>Circuit</b>   | <b>1C</b>   | <b>1C</b>   |
| Single Circuit   | 1C          |             |
| <b>Voltage</b>   |             |             |
| 120 Volt   | 120         |             |
| 277 Volt   | 277         |             |
| UNV Volt   | UNV         |             |
| Low Voltage  | LV          |             |
| <b>Control System &amp; Dimming Level</b>                                |             |             |
| 0-10V - 1% Dimming   | L11         |             |
| 0-10V - 10% Dimming  | LD1         |             |
| Low Voltage, PoE compatible  | LVN         |             |
| <small>(No driver. Not available with EM or EC. LV Voltage only)</small> |             |             |
| Lutron Hi-Lume - Forward Phase - 1% Dimming                              | LTE         |             |
| <small>(120 only) (Grid and drywall mounting only)</small>               |             |             |
| Step Dimming   | SD5         |             |
| <small>(Grid and drywall mounting only)</small>                          |             |             |
| DALI - 1% Dimming  | D11         |             |
| <small>(Consult factory)</small>   |             |             |
| <b>Mounting</b>  |             |             |
| 24" Aircraft Cable   | C24         |             |
| 48" Aircraft Cable   | C48         |             |
| 96" Aircraft Cable   | C96         |             |
| 15/16" Grid  | G1          |             |
| 9/16" Grid   | G2          |             |
| 9/16" Slot Tee   | G3          |             |
| Drywall Frame Kit  | F           |             |
| <small>(Cut out dimensions: Min: 24.25"/Max: 24.563")</small>            |             |             |
| Surface Mount  | SM          |             |
| <b>Factory Options</b>   |             |             |
| Air Return   | AR          |             |
| <small>(Overall height for luminaire with Air Return is 4.25")</small>   |             |             |
| Chicago Plenum   | CP          |             |
| Emergency Battery Pack with Integral Test Switch                         | EM          |             |
| 6' New York City Flex Whip   | FNY         |             |
| 6' Flex Whip   | FW          |             |
| <b>Finish</b>  |             |             |
| Matte Satin White  | WH          |             |
| Matte Satin White with Anti-Microbial Coating                            | WHA         |             |



Options in orange qualify for the Quickship program. 5-day up to 100 pieces, 10-day up to 300 pieces. Refer to Quickship Guide for complete details.