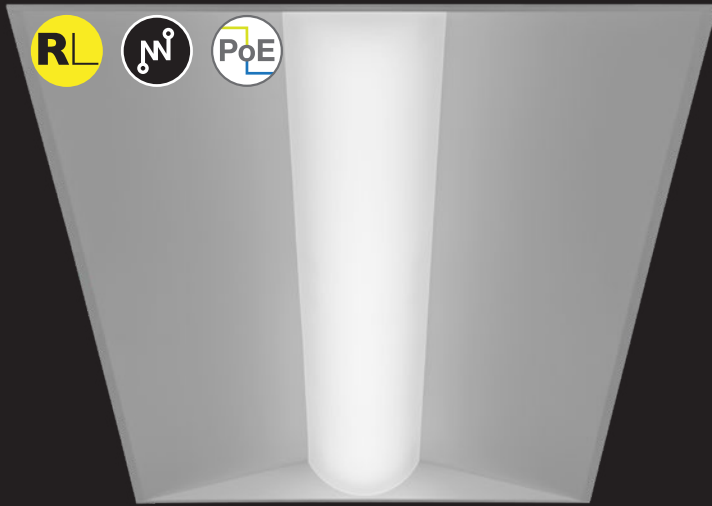
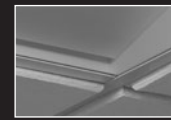


Amica™ 2 2x4

LED

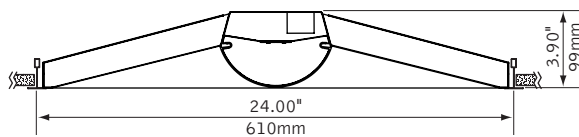


lens detail

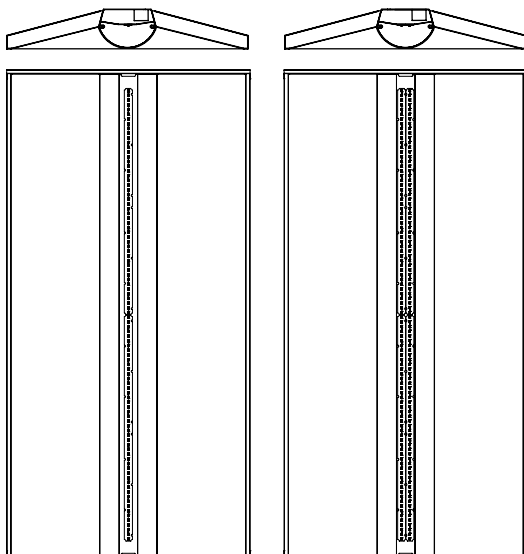


air return

DIMENSIONAL DATA



led options



Standard (2 LED Boards)

High Efficiency (4 LED Boards)

FEATURES

Architectural recessed LED luminaire with classic lines to complement architecture.

Center ribbed diffuser masks LED brightness to create even illumination.

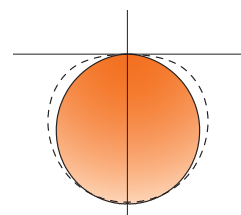
3.9" housing depth ideal for shallow plenum applications.

Access from below the ceiling for easy maintenance.

Connected Solutions: Integrates with wired and wireless building lighting control systems.

PoE compatible: Integrates with Power over Ethernet lighting systems via standard, low-voltage wires.

PERFORMANCE



PRODUCT OVERVIEW

Lumen Output:	4000-8000lm
Wattage:	30-62
LPW:	124-136
SDCM:	3

High Performance
4000 Lumens (4000LH)
Delivered Lumens: 4000lm
Total System Watts: 30W

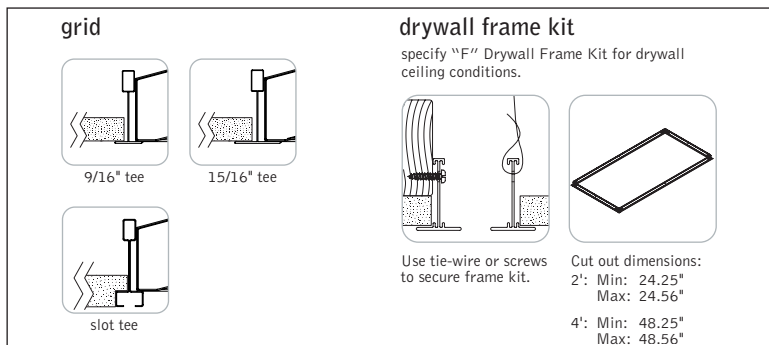


Photometric performance is measured in accordance with IESNA LM-79. Visit focalpointlights.com for complete photometric data. Visit designlights.org/QPL for model specifics.

fixture:

project:

MOUNTING INFORMATION



SPECIFICATIONS

LED System

LED module incorporates premium LEDs on a robust platform to achieve excellent thermal management. LEDs are placed to promote a uniform appearance. Available in 3000K, 3500K or 4000K with CRI>80, 3 SDCM. LED modules and drivers are replaceable from below.

Construction

One piece 24 Ga. steel reflector and housing. Bottom access 24 Ga. steel driver compartment. Top access plate for electrical connection. Positional brackets supplied as standard. Unit weight: 16 lbs.

Optic

24 Ga. steel reflectors finished in matte satin white powder coat. .084" thick frosted white acrylic diffuser with linear micro-prism pattern.

Electrical

Standard 120-277V driver includes 0-10V analog dimming. Power factor > .9. LD1 not Right Light as standard, consult factory. PoE compatible: Integrates with Power over Ethernet lighting systems via standard, low-voltage wires.

Emergency

Emergency battery output—10 watts for 90 minutes. Maximum mounting height: 22.5ft
Emergency Circuit with Connected Solutions (NLT1, ENL1, CLM1, CLMZ1, DLM1) requires a UL924 compliant device, consult factory.

Labels

UL and cUL Listed. Suitable for Dry or Damp Locations, indoor use only.

Finish

Polyester powder coat applied over a multi-stage pre-treatment. Optional Anti-Microbial paint finish available.

Lumen Maintenance

Reported: L70 at > 60,000 hours Calculated: L70 at 150,000 hours
L80 at > 60,000 hours L80 at 94,000 hours

Derived from EPA TM-21 calculator. Based on typical conditions, consult factory for additional data.

Reliability

At Focal Point, our products are designed to stand the test of time. Each luminaire is engineered using superior components, manufactured with the utmost care and rigorously tested. Contact us for reliability data.

Warranty

LED system rated for operation in ambient environments up to 25°C. 5-year limited warranty.

PERFORMANCE CHART

Delivered Lumens	Tested System Watts	LPW	Lumen Multipliers		
			CCT	CRI	Multiplier
4000 Lumens	4000L	32	3000K	80	0.81
	4000LH	30			
4500 Lumens	4500L	37	3500K	90	0.93
	4500LH	34			
5000 Lumens	5000L	38	4000K	80	0.85
	5000LH	36			
5500 Lumens	5500L	42		90	0.98
	5500LH	41			
6000 Lumens	6000L	46			
	6000LH	44			
6500 Lumens	6500L	51			
	6500LH	49			
7000 Lumens	7000L	56			
	7000LH	54			
7500 Lumens	7500L	61			
	7500LH	58			
8000 Lumens	8000L	62			
	8000LH	62			

Based on 3500K, 80 CRI. *Lumen output may vary +/- 8%. Actual wattage may vary +/- 5%

Focal Point LLC reserves the right to change specifications for product improvement without notification.

ORDERING

Luminaire Series

Amica 2 FAM2

Nominal Size

2' x 4' 24

Shielding

Ribbed Acrylic Diffuser ACR

Lumen Output

Standard (2 LED Boards)

4000 Lumens	4000L
4500 Lumens	4500L
5000 Lumens	5000L
5500 Lumens	5500L
6000 Lumens	6000L
6500 Lumens	6500L
7000 Lumens	7000L
7500 Lumens	7500L

High Efficiency (4 LED Boards)

4000 Lumens	4000LH
4500 Lumens	4500LH
5000 Lumens	5000LH
5500 Lumens	5500LH
6000 Lumens	6000LH
6500 Lumens	6500LH
7000 Lumens	7000LH
7500 Lumens	7500LH
8000 Lumens	8000LH

Color Temperature

3000K, 80+ CRI or 90+ CRI	30K or 930K
3500K, 80+ CRI or 90+ CRI	35K or 935K
4000K, 80+ CRI or 90+ CRI	40K or 940K

Circuit

Single Circuit 1C

Voltage

120/277 UNV Volt UNV

347 Volt 347

(LD1, CLM1 & CLMZ1 only. Not available with EM)

Low Voltage LV

Control System & Dimming Level

0-10V - 1% Dimming L11

0-10V - 10% Dimming LD1

(Not Right Light as standard, consult factory)

Low Voltage, PoE compatible LVN

(No driver. Not available with EM, LV Voltage only)

Lutron Hi-Lume EcoSystem (LDE1) -

1% Dimming (Not available with 7500L or 8000LH) LH1

Step Dimming SD5

DALI 1% Dimming D11

Acuity nLight - 1% Dimming NLT1

(Not available with Chicago Plenum, Recessed grid & drywall frame kit mounting only)

Enlighted Smart Sensor - 1% Dimming ENL1

Osram Connected Lighting Module for ENCELIIUM systems - 1% Dimming CLM1

(Compatible with Osram ENCELIIUM and ENCELIIUM EDGE systems only)

Osram Connected Lighting Module for ZigBee Wireless Networks - 1% Dimming CLMZ1

(Not compatible with Osram ENCELIIUM systems)

Wattstopper DLM - 1% Dimming DLM1

(Recessed grid & drywall frame kit mounting only)

Mounting

Grid G

Drywall Frame Kit F

(Cut out dimensions: Min: 24.25"/Max: 24.56" Min: 48.25"/Max: 48.56")

Surface Mount SM

24" Aircraft Cable C24

48" Aircraft Cable C48

96" Aircraft Cable C96

Factory Options

Air Return AR

(Overall height for luminaire with Air Return is 4.4")

Chicago Plenum CP

(Not available with flex whip)

Emergency Battery

with Integral Test Switch EM

6' New York City Flex Whip (120V) FNY1

6' New York City Flex Whip (277V) FNY2

6' Flex Whip FW

Finish

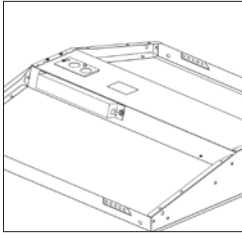
Matte Satin White WH

Matte Satin White Anti-Microbial WHA



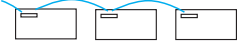
Options in orange qualify for the Quickship program. 5-day up to 100 pieces, 10-day up to 300 pieces. Refer to Quickship Guide for complete details.

Focal Point provides flexibility in meeting the needs of each project by integrating with several building lighting control systems. A variety of sensors, drivers and other components can be specified that allow the luminaires to communicate with wired and wireless networks. All zoning can be digitally reconfigured through the application software. Daylight harvesting, occupancy sensing, integration with HVAC systems, and individual controls enable the monitoring and modulating of light levels and temperature in order to save energy, reduce costs and maximize occupants' comfort. All Connected Solutions luminaires require a compatible building control system.†



nLight® provides a two-way wired digital lighting system allowing for on/off and dimming functionality, occupancy sensing, and multi-zone daylight harvesting.

Acuity nLight - 1% Dimming (NLT1)
Acuity Model #nEPS-60-IO



CAT-5 Cable provided by others. Serial labels will be provided on outside of luminaires and control unit.



Enlighted smart sensor allows for occupancy sensing, daylight harvesting, energy usage, temperature and light level control. Communicates wirelessly with the Enlighted network.

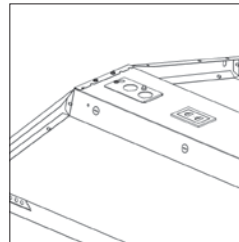
Enlighted Smart Sensor - 1% Dimming (ENL1)
Enlighted Model #SU-5E-IOT



Connected Lighting Module (CLM) enables each luminaire to be independently controlled and configured. Communicates wirelessly with Daintree Networks®, Osram ENCELIUM®, Osram ENCELIUM EDGE™, and other networks using the ZigBee® HA communication protocol to allow for on/off and dimming functionality, occupancy sensing and multi-zone daylight harvesting.

Osram CLM - 1% Dimming (CLM1 & CLMZ1)
Osram Model #ZBHA-CLM DIM

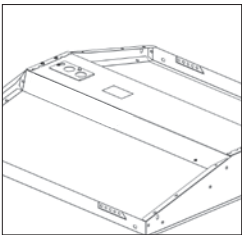
Serial labels will be provided on outside of luminaires and control unit.



A Digital Lighting Management (DLM) system that provides two-way wired communication between networked luminaires and control system to allow for on/off and dimming functionality, occupancy sensing and multi-zone daylight harvesting.

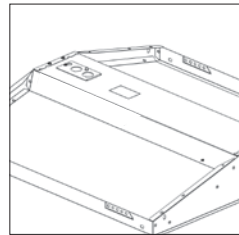
Wattstopper DLM - 1% Dimming (DLM1)
Wattstopper Model #LMFC-011

CAT-5 Cable provided by others. Serial labels will be provided on outside of luminaires and control unit.



A two-way digital network that enables on/off and dimming functionality, occupancy sensing, and multi-zone daylight harvesting working with Quantum®, Energi Savr Node™, and Energi TriPak® using EcoSystem® communication protocol.

Lutron Hi-Lume EcoSystem - 1% Dimming (LH1)
Lutron Model #LDE1



A two-way digital network that enables on/off and dimming functionality, occupancy sensing, and multi-zone daylight harvesting. Communicates with Züm wireless and SpaceBuilder working with Züm hub scheduling or FUSION management.

DALI - 1% Dimming (D11)
0-10V - 1% Dimming (L11)

Note: 0-10V is not a digital network but is compatible with Creston Züm™ system.

CONNECTED SOLUTIONS DETAILS

Connected Solution	Model #	Protocol	Compatible Networks*	Occupancy	Daylight	Temperature Reporting	Communication to Luminaire	Drivers
Acuity nLight (NLT1)	nEPS-60-IO**	nLight	nLight	Enabled	Enabled	No	Wired	eldoLED ECOdrive , eldoLED SOLOdrive
Crestron (D11, L11)	Specified Driver	DALI 0-10V	Crestron Züm Wireless & SpaceBuilder	Enabled	Enabled	No	Wired	eldoLED ECOdrive (DALI) , Advance by Signify (0-10V)
Enlighted Smart Sensor (ENL1)	SU-5E-IOT**	Enlighted RF	Enlighted	Integrated	Integrated	Yes	Wireless	Advance by Signify
Legrand Wattstopper DLM (DLM1)	LMFC-011**	DLM	DLM	Enabled	Enabled	No	Wired	Advance by Signify , Osram Optotronic
Lutron EcoSystem (LH1)	LDE1**	EcoSystem	Quantum, Energi Savr Node, Energi TriPak	Enabled	Enabled	No	Wired	Lutron Hi-Lume
Osram CLM for ENCELIUM systems (CLM1)	ZBHA-CLM**	ZigBee HA	Osram ENCELIUM & ENCELIUM EDGE	Enabled	Enabled	No	Wireless	Osram Optotronic
Osram CLM for ZigBee Wireless Networks (CLMZ1)	ZBHA-CLM**	ZigBee HA	Daintree Networks & open ZigBee Networks	Enabled	Enabled	No	Wireless	Osram Optotronic

*Not all compatible networks may be listed. **For performance data and additional control system details please visit the connected solutions manufacturer websites. Primary drivers are listed in **bold**. To specify a particular driver please consult factory. †Controls systems supplied by others.