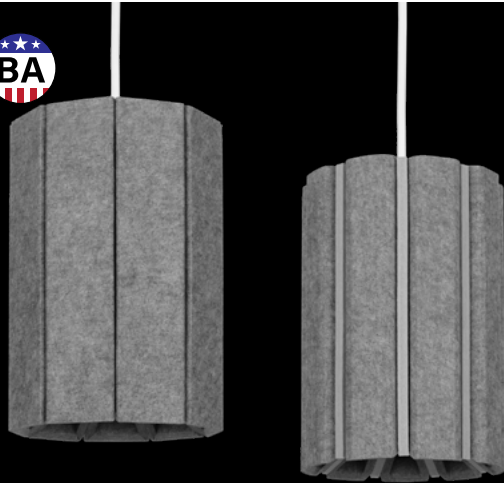
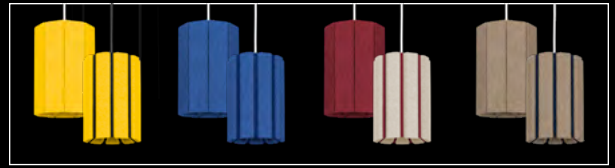


Zyl® 3

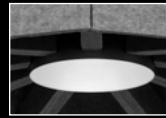
DECORATIVE LED PENDANT



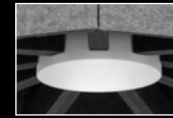
12" height shown



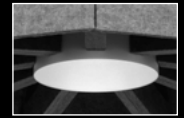
100's of customizable color combinations



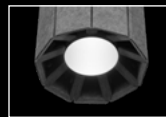
Black trim detail



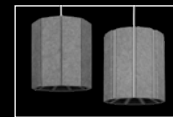
White trim detail



Palladium Silver trim detail



Solid shade detail from below

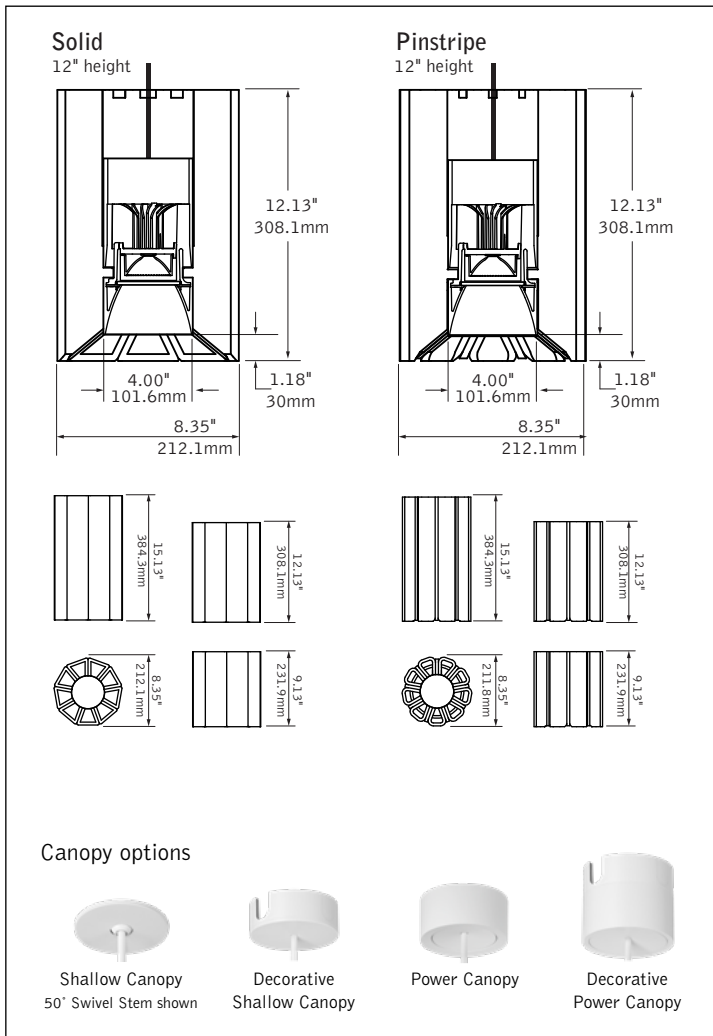


Zyl 4 companions



Cylinder companions

DIMENSIONAL DATA (continued on page 4)



FEATURES

Nominal 8" diameter decorative PET felt shaded pendant.

Available in three heights - 9", 12" and 15".

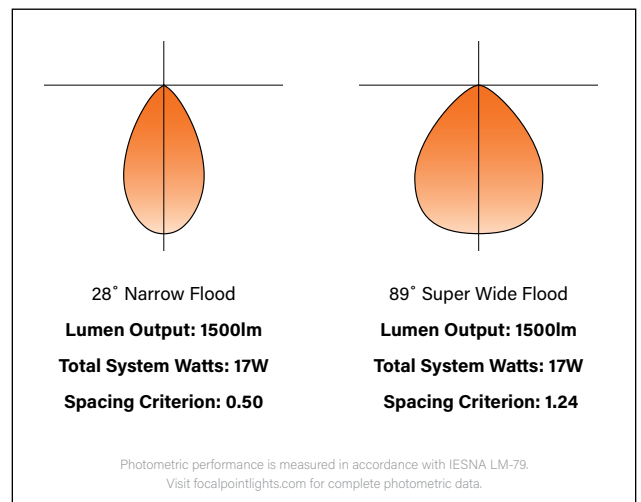
Wide range of color options provides design flexibility and personalization for any project.

Optional Pinstripe detail may be specified in any of the available colors.

50° cut-off available with Solite lens for brightness control and visual comfort.

50° and 80° cut-off available for optimal visual comfort.

PERFORMANCE



fixture:

project:

SPECIFICATIONS

Acoustic Material

Content	Housing material is 100% polyester containing up to 50% of recycled plastic bottles (PET felt) with an ASTM E-84 Class A / CAN ULC S102 fire rating and is moisture resistant. See page 3 for color offering. Acoustic material colors are subject to change without notice. For the most current color options, please visit focalpointlights.com/acousticsolutions. Lead times may vary depending on color.
Cleaning and Care	Remove dust and debris with a clean, soft, lint-free cloth or vacuum
PET Thickness	9mm
Surface Burning Characteristics	ASTM E84 Class A / CAN ULC S102 Flame Spread: 0, Smoke Development Index: 300
Colorfastness	AATCC 16A Option 3 Class 4 minimum at 40 hours
NRC	0.9

LED System

Proprietary LED module with single light emitting source. May be specified in 2700K, 3000K, 3500K or 4000K in CRI>80 or CRI>90. Color accuracy within 2 SDCM. Aluminum heat sink provides appropriate thermal management.

Light Engine Construction

Upper housing is extruded aluminum. Lower reflector is die-cast aluminum. Twist & lock construction leaves no visible fasteners within the knife edge trim. Fixture will not exceed 5.07 lbs.

Optics

Beam spreads achieved with optics that may be easily changed in field.

Cut-off degree	Distribution Beam Spread Spacing Criteria				
	NFL	FL1	FL2	WFL	SWFL
50°	28° 0.50	34° 0.59	45° 0.75	57° 0.80	—
80°	—	—	—	—	89° 1.24

Electrical

Choice of constant current dimming drivers. Power factor > .9 typical. L11 & LFP with Shallow Canopy, Integral Driver not Right Light as standard, consult factory.

Emergency

Emergency output —7W for 90 minutes. Maximum mounting height: 16.98 ft. J-box cannot be recessed above the ceiling with Emergency Battery.

Labels

UL and cUL listed. Suitable for Dry Locations, indoor use only.

Trim/Canopy/Stem Finish

Polyester powder coat applied over a multi-stage pre-treatment.

Cleaning and Care

Remove dust and debris with a clean, soft, lint-free cloth or vacuum.

Lumen Maintenance

Reported: L70 > 54,000 hours
L90 > 54,000 hours
Calculated: L70 at > 420,000 hours
L90 at > 109,000 hours
(Derived from EPA TM-21 calculator. Based on typical conditions, consult factory for additional data.)

Reliability

At Focal Point, our products are designed to stand the test of time. Each luminaire is engineered using superior components, manufactured with the utmost care and rigorously tested. Contact us for reliability data.

Warranty

LED system rated for operation in ambient environments up to 25°C. 5-year limited warranty.

PERFORMANCE TABLE

Lumen Output	Delivered Lumens	System Watts	LPW
700L	736	8	96
1000L	1082	12	94
1500L	1582	17	92
1700L	1743	19	91
2000L	2057	24	86

3500K, 80CRI, Clear Diffuse, Narrow Flood Distribution. Lumen output may vary +/- 5%. Actual wattage may vary +/- 5%.

Focal Point LLC reserves the right to change specifications for product improvement without notification.

ORDERING

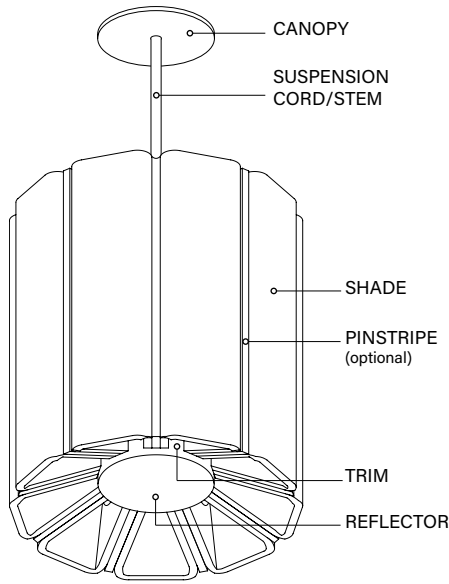
Luminaire Series	Zyl 3 Decorative LED Pendant	DZL3
Nominal Height	9" 12" 15"	9 12 15
Shade Color	See page 3 for color offering	---
Pinstripe Color	See page 3 for color offering	---
No Pinstripe		NP
Canopy Type	Shallow Canopy, Integral Driver	SC
Shallow Canopy with decorative J-box cover, Integral Driver		DSC
Power Canopy		PC
Power Canopy with decorative J-box cover		DPC
Canopy Color	Black White Palladium Silver	BK WH PS
Suspension Type	72" Cable, Straight Feed (Cut in field) 144" Cable, Straight Feed (Cut in field) 12", 50° Swivel Stem 18", 50° Swivel Stem 2'- 8' in 1' increments, 50° Swivel Stem (Specify in inches, example: 8' stem = B96) 12", Fixed Stem 18", Fixed Stem 2'- 8' in 1' increments, Fixed Stem (Specify in inches, example: 8' stem = S96)	C72 C144 B12 B18 B_ S12 S18 S_
Suspension Color	Black White Gray (Cable only) Palladium Silver (Stem only)	BK WH GRY PS
Reflector Color	Clear Diffuse	CD
Trim Color	Black White Palladium Silver	BK WH PS
Lumen Output	700 Lumens 1000 Lumens 1500 Lumens 1700 Lumens (PC & DPC only) 2000 Lumens (PC & DPC only)	700L 1000L 1500L 1700L 2000L
Color Temperature	2700K, 80+ CRI or 90+ CRI 3000K, 80+ CRI or 90+ CRI 3500K, 80+ CRI or 90+ CRI 4000K, 80+ CRI or 90+ CRI	27K or 927K 30K or 930K 35K or 935K 40K or 940K
Circuit	Single Circuit	1C
Voltage	120/277 UNV 120 Volt 277 Volt	UNV 120 277
Control System & Dimming Level	0-10V - 0% Dimming 0-10V - 1% Dimming Phase Dimming (SC only, 120V only) Lutron Hi-Lume EcoSystem (LDE1) - 1% Dimming DALI - 0% Dimming DALI - 1% Dimming	LZ1 L11 LFP LH1 DZ1 D11
Optic	50° Cut-off Cone (Not available with SWFL distribution) 50° Cut-off Cone with Solite Lens (NFL distribution only) 80° Cut-off Cone (SWFL distribution only)	DNT DNTS DSS
Distribution	Narrow Flood Flood 1 Flood 2 Wide Flood Super Wide Flood	NFL FL1 FL2 WFL SWFL
Factory Options	Emergency Battery	EMR

(J-box cannot be recessed above the ceiling. Remote test switch.)

Decorative Finishes



Finish Diagram



Canopy/Stem/Trim Paint Finishes

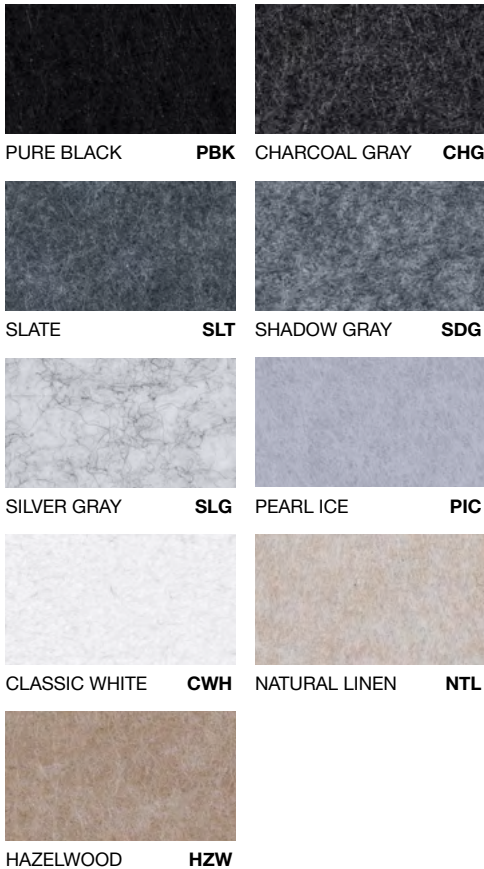


Cord Colors



PET Material

STANDARD PET



PREMIUM PET



Slight color variations are inherent to the PET felt manufacturing process. Color renditions on screens vary due to display settings and lighting conditions.

Order samples at focalpointlights.com/Samples

Declare.

PET
Focal Point, LLC

Final Assembly: Chicago, Illinois, USA
Life Expectancy: 30 Year(s)
End of Life Options: Salvageable/Reusable in its Entirety, Recyclable (100%)

Ingredients:

Polyethylene terephthalate; PET; N, N'-Ethylene bisstearamide; Octadecanamide, N,N'-1,2-ethanedilybis-; Stearic Acid; Antioxidant 1076; Benzenepropanoic acid, 3,5-bis(1,1-dimethylethyl)-4-hydroxy-, octadecyl ester; Antioxidant KY-405; Benzenamine, 4-(1-methyl-1-phenylethyl)-N-(4-(1-methyl-1-phenylethyl)phenyl)-; Titanium Dioxide; Titanium dioxide

Living Building Challenge Criteria:

I-13 Red List:

- LBC Red List Free % Disclosed: 100% at 100ppm
- LBC Red List Approved VOC Content: Not Applicable
- Declared

I-10 Interior Performance: Not Compliant
I-14 Responsible Sourcing: Not Applicable

FPL-0001
EXP: 01 JUN 2026
Original Issue Date: 2020

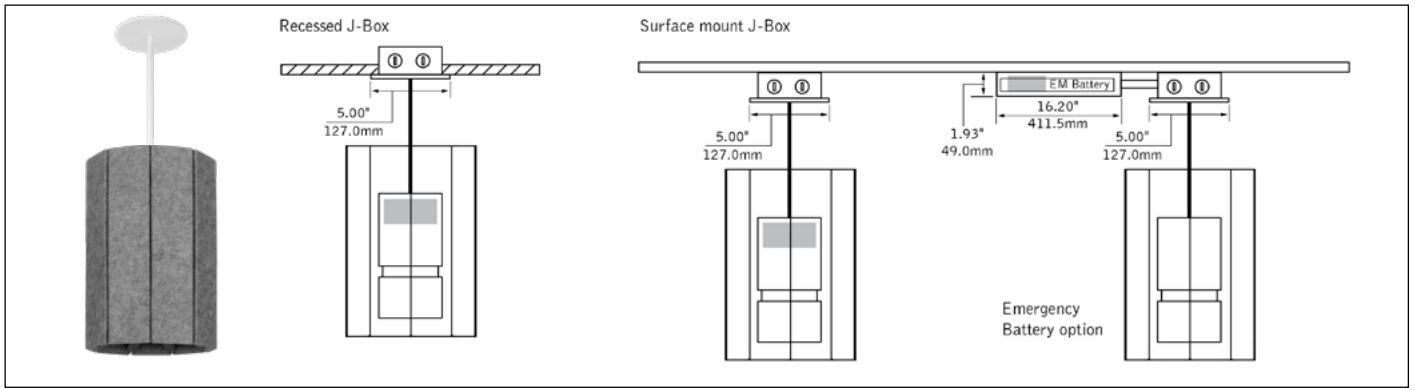
INTERNATIONAL LIVING FUTURE INSTITUTE™ living-future.org/declare

*Contact factory for lead time and pricing.

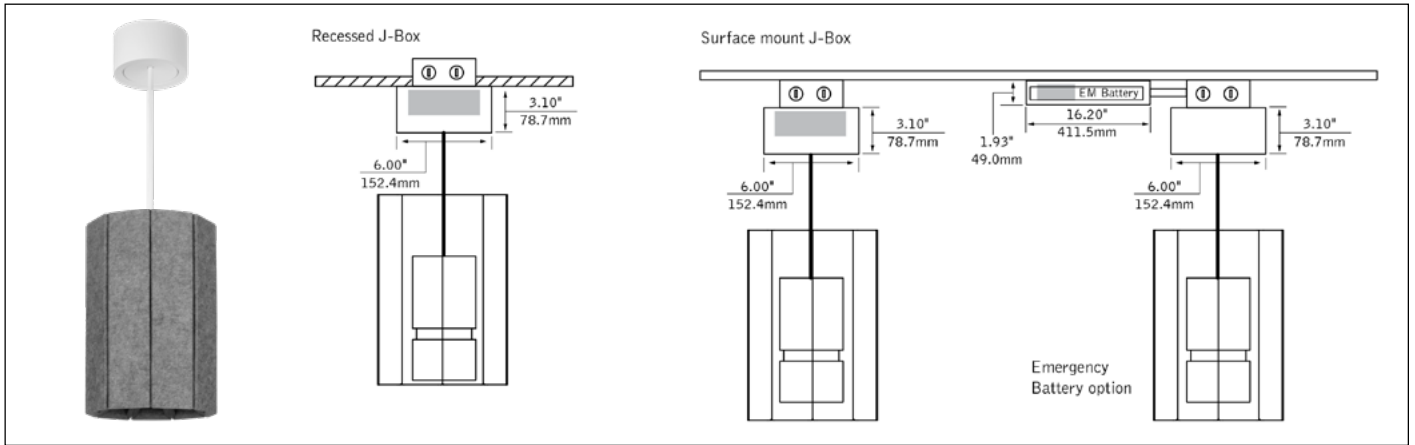
DIMENSIONAL DATA CONTINUED

SC - Shallow Canopy (Integral driver)

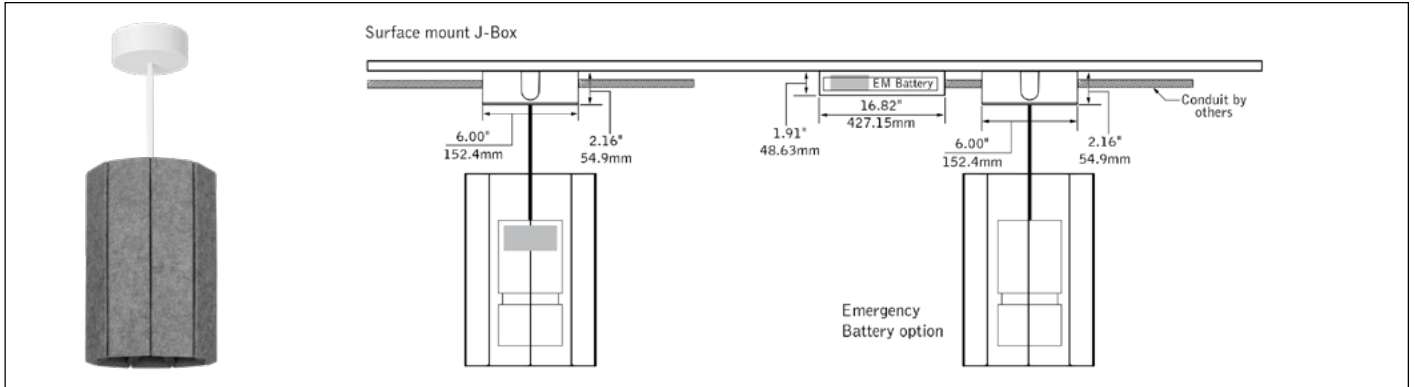
■ Indicates Driver Location



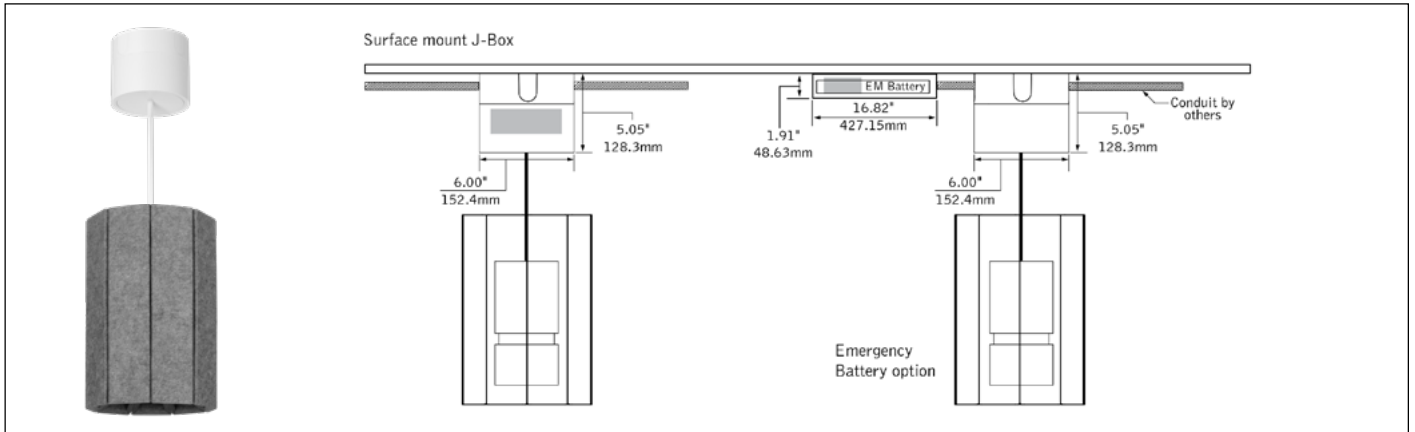
PC - Power Canopy



DSC - Shallow Canopy with decorative J-box cover, Integral Driver

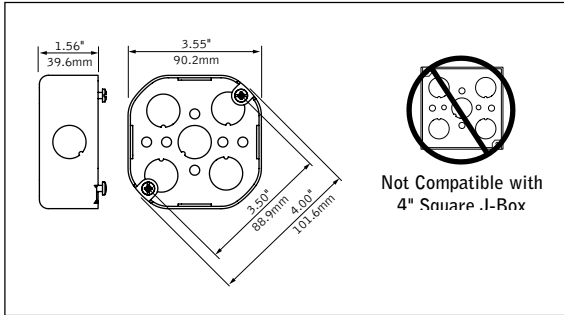


DPC - Power Canopy with decorative J-box cover



DIMENSIONAL DATA CONTINUED

4" Octagonal J-box required (By others)



LUMEN MULTIPLIER TABLE

Color Temperature & CRI

Trim Type	Optic	Color Temperature	Multiplier
Round [RD]	ALL	2700K, 80+ CRI [27K]	0.93
		2700K, 90+ CRI [927K]	0.78
		3000K, 80+ CRI [30K]	0.97
		3000K, 90+ CRI [930K]	0.81
		3500K, 80+ CRI [35K]	1.00
		3500K, 90+ CRI [935K]	0.83
		4000K, 80+ CRI [40K]	1.01
		4000K, 90+ CRI [940K]	0.86

Optic & Distribution

Trim Type	Optic	Distribution	Multiplier
Round [RD]	Tall Cone, 50° cut-off [DNT]	Narrow Flood (28°) [NFL]	1.00
		Flood 1 (34°) [FL1]	0.89
		Flood 2 (45°) [FL2]	0.75
		Wide Flood (57°) [WFL]	0.75
	Tall Cone, 50° cut-off with Solite Lens [DNLS]	Narrow Flood (28°) [NFL]	0.97
	Super Short Cone, 80° cut-off [DSS]	Super Wide Flood (89°) [SWFL]	0.74

Multiplier tables are provided to aid with estimation of lumen levels across options. Apply multipliers against ordered Lumen Output to estimate Delivered Lumens. Refer to IES files for most accurate photometric information.

How To Use Lumen Multipliers

Formula: (Lumen Output Value) x (Color Temperature & CRI) x (Optic & Distribution)

Example: DZL3-XX-XX-XX-XX-XX-XX-XX-CD-XX-1000L-935K-1C-UNV-XX-DNT-FL1
 (1000) x (0.83) x (0.87) ≈ 722 lm (estimated delivered lumens)