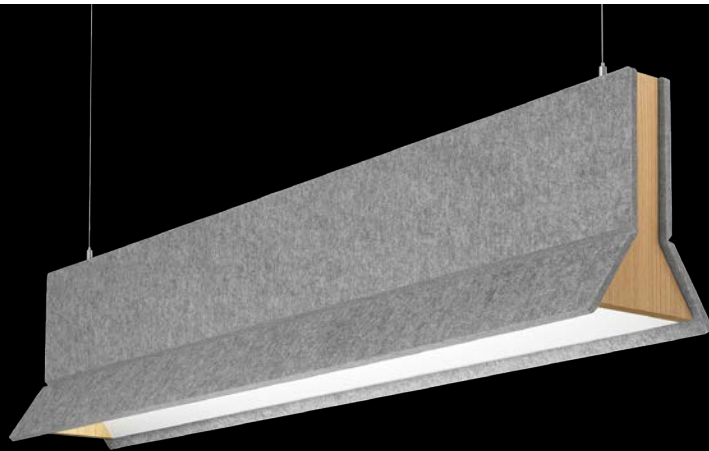


# Eave®

ACOUSTIC PENDANT



FOCAL POINT®



White Oak Canopy



White Oak End Cap



Amber Oak Canopy



Amber Oak End Cap

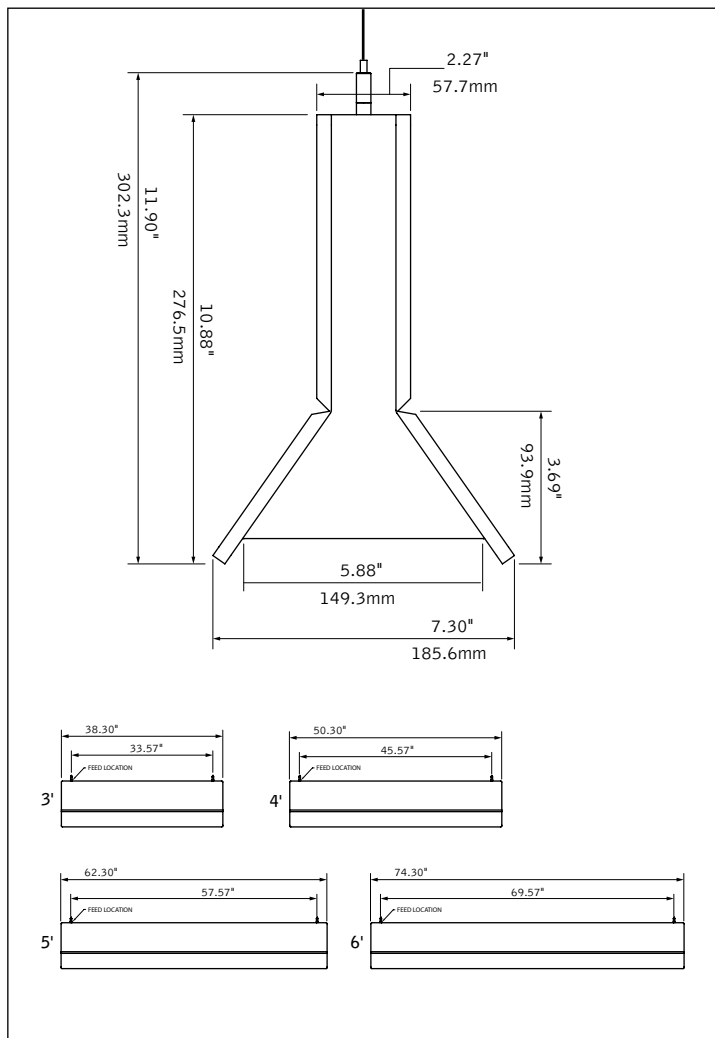


Espresso Oak Canopy



Espresso Oak End Cap

## DIMENSIONAL DATA



## FEATURES

Nominal 11" height decorative PET felt pendant with wood end caps.

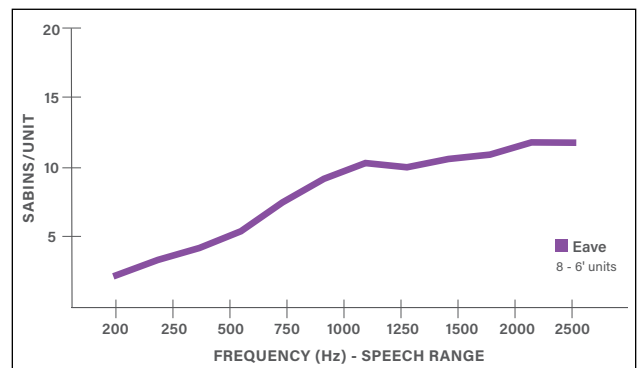
Available in 3', 4', 5' and 6' lengths.

Direct only or independently controlled Indirect/Direct distributions (3' direct only).

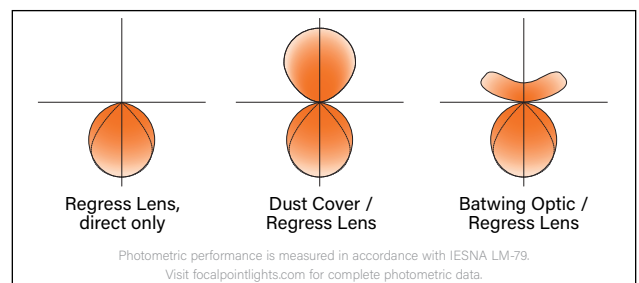
AirCore™ Technology: patent pending, eco-friendly technology that maximizes sound absorption and reduces ecological impact.

Excellent companion to Seem 1 Acoustic and Seem 1 Acoustic Trio with matching baffle width.

## ACOUSTIC PERFORMANCE



## DISTRIBUTIONS

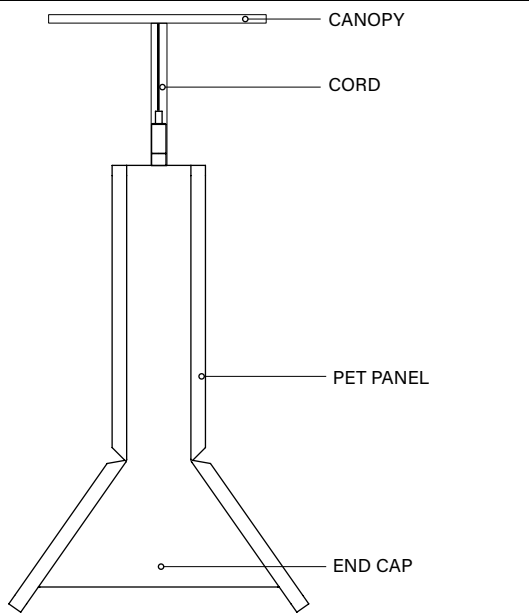




# Decorative Finishes



## Finish Diagram



## End Cap & Canopy Finishes†



## Canopy only Finishes



## Cord Material

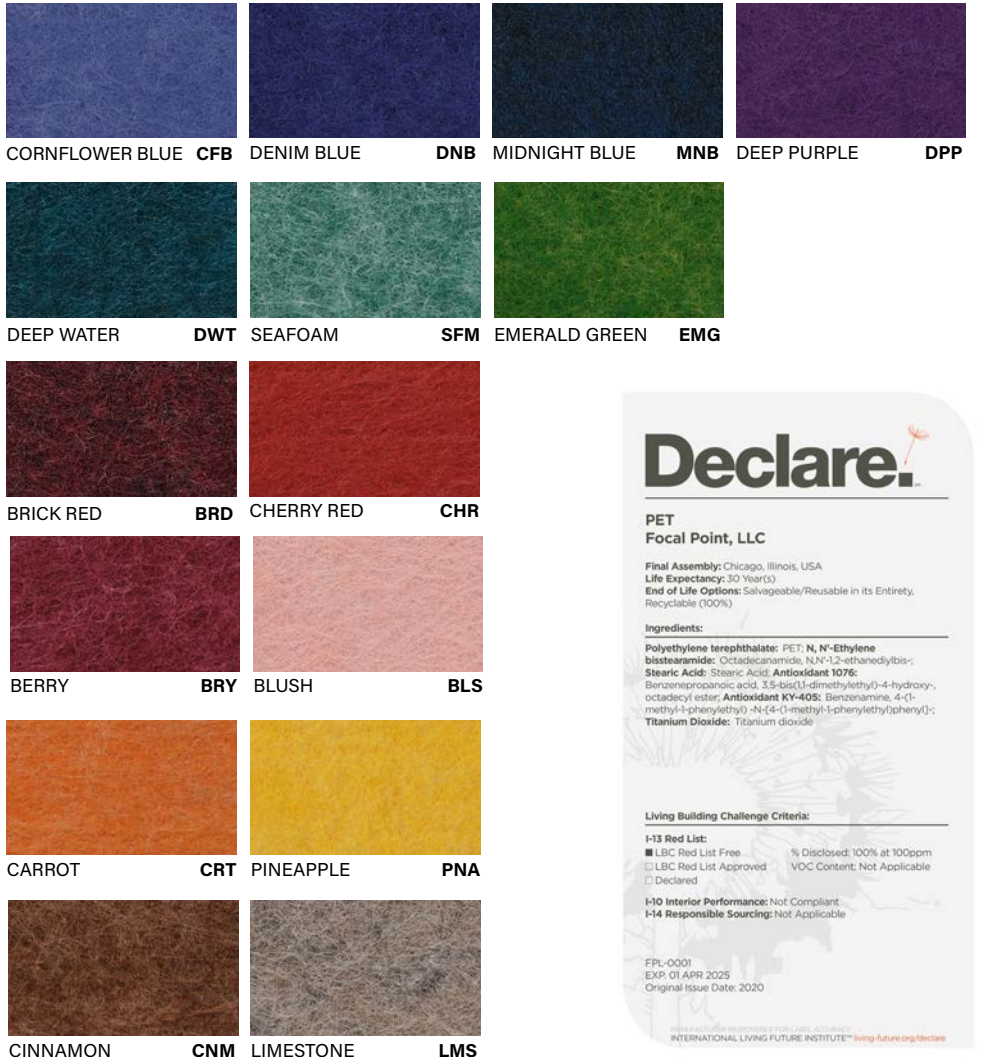


## PET Material\*

### STANDARD COLORS



### PREMIUM COLORS\*\*



†Slight variations in color and grain are inherent to the nature of real wood products and should be expected.

\*Slight variations in the color of the PET felt should be expected as a result of the manufacturing process. \*\*Contact factory for lead time and pricing.

## Declare.

**PET**  
Focal Point, LLC

Final Assembly: Chicago, Illinois, USA  
Life Expectancy: 30 Year(s)  
End of Life Options: Salvageable/Reusable in its Entirety, Recyclable (100%)

**Ingredients:**

Polyethylene terephthalate: PET; N, N'-Ethylene bisoxaramide: Octadecanamide, N,N'-1,2-ethanediylbis-; Stearic Acid; Antioxidant 1076; Benzenepranoic acid, 3,5-bis(1-dimethylethyl)-4-hydroxy-, octadecyl ester; Antioxidant KY-605; Benzenamine, 4-(1-methyl-1-phenylethyl)-N-(4-(1-methyl-1-phenylethyl)phenyl)-; Titanium Dioxide: Titanium dioxide

**Living Building Challenge Criteria:**

**I-13 Red List:**

- LBC Red List Free      % Disclosed: 100% at 100ppm
- LBC Red List Approved      VOC Content: Not Applicable
- Declared

**I-10 Interior Performance:** Not Compliant

**I-14 Responsible Sourcing:** Not Applicable

FPL-0001  
EXP. 01 APR 2025  
Original Issue Date: 2020

INTERNATIONAL LIVING FUTURE INSTITUTE™ [living-future.org/declare](http://living-future.org/declare)

#### 4' DIRECT/INDIRECT PERFORMANCE CHART



Dust Cover  
Regress Lens



Batwing Optic  
Regress Lens

Direct Distribution	Indirect Distribution	Distribution % (Direct/Indirect)	Total Delivered Lumens	Tested System Watts	LPW	Total Delivered Lumens	Tested System Watts	LPW
200DN	125UP	62/38	1388	18	75	1376	18	74
	250UP	44/56	1728	20	87	1728	20	87
	375UP	35/65	2257	23	97	2224	23	96
	500UP	29/71	2750	27	104	2706	27	102
	625UP	24/76	3240	30	108	3184	30	106
	800UP	20/80	3912	35	110	3841	35	108
300DN	125UP	71/29	1789	23	77	1776	23	77
	250UP	55/45	2128	25	87	2128	25	87
	375UP	44/56	2657	28	95	2624	28	94
	500UP	38/62	3151	31	101	3106	31	99
	625UP	32/68	3640	35	105	3584	35	104
	800UP	27/73	4312	40	107	4241	40	106
400DN	125UP	76/24	2196	28	78	2183	28	78
	250UP	62/38	2535	29	86	2535	29	86
	375UP	52/48	3064	33	94	3031	33	93
	500UP	44/56	3557	36	99	3513	36	97
	625UP	39/61	4047	39	103	3991	39	101
	800UP	33/67	4719	45	105	4648	45	103
500DN	125UP	80/20	2652	34	79	2639	34	79
	250UP	67/33	2992	35	86	2992	35	86
	375UP	57/43	3520	38	92	3487	38	91
	500UP	50/50	4014	42	96	3970	42	95
	625UP	44/56	4503	45	100	4448	45	99
	800UP	38/62	5175	51	102	5104	51	101
600DN	125UP	80/20	2988	39	76	2976	39	76
	250UP	67/33	3328	41	82	3328	41	82
	375UP	57/43	3857	44	88	3824	44	87
	500UP	50/50	4350	47	92	4306	47	91
	625UP	44/56	4840	51	96	4784	51	95
	800UP	38/62	5512	56	98	5441	56	97
700DN	125UP	80/20	3388	44	76	3376	44	76
	250UP	67/33	3728	46	81	3728	46	81
	375UP	57/43	4257	49	87	4223	49	86
	500UP	50/50	4750	52	91	4706	52	90
	625UP	44/56	5239	56	94	5184	56	93
	800UP	38/62	5912	61	96	5841	61	95

\*Based on 3500k, 80CRI, 4' lengths. Lumen multipliers: Dust Cover Top = 1.23, 90 CRI = 0.87. Lumen output may vary +/- 5%. Actual wattage may vary +/- 5%.