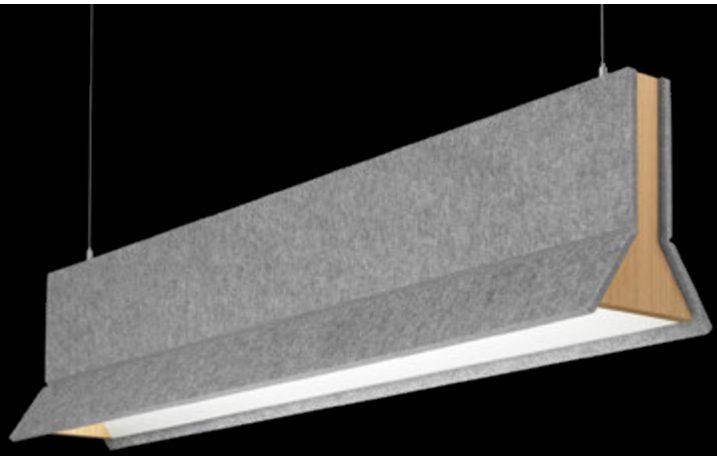


# Eave™

ACOUSTIC PENDANT



FOCAL POINT®



White Oak Canopy



White Oak End Cap



Amber Oak Canopy



Amber Oak End Cap

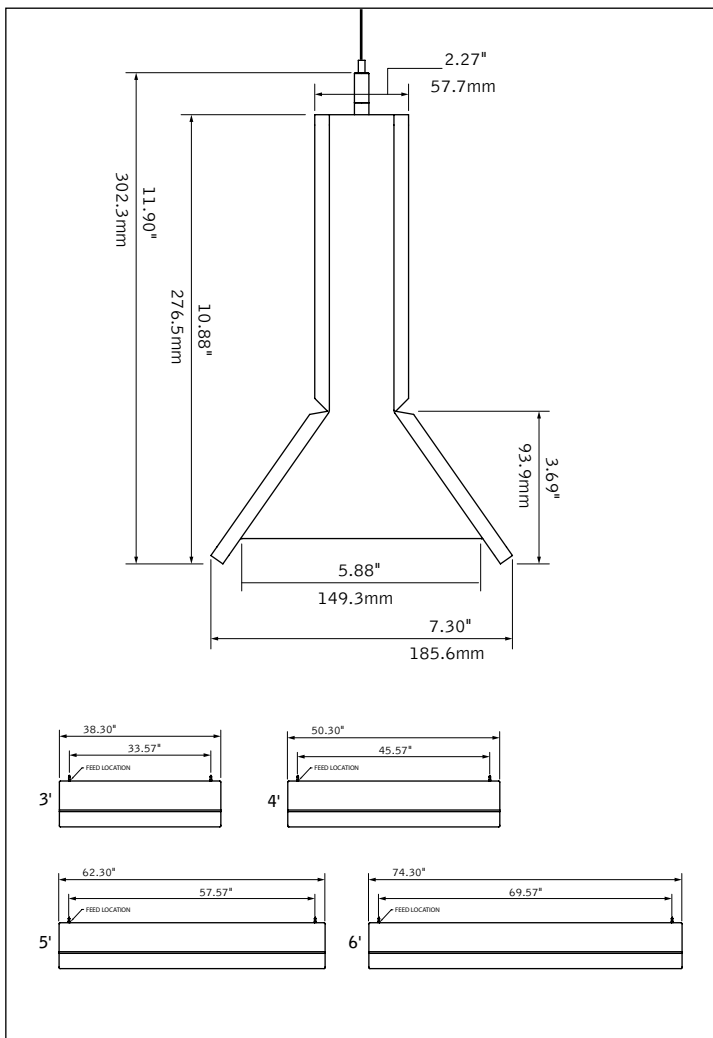


Espresso Oak Canopy



Espresso Oak End Cap

## DIMENSIONAL DATA



## FEATURES

Nominal 11" height decorative PET felt pendant with wood end caps.

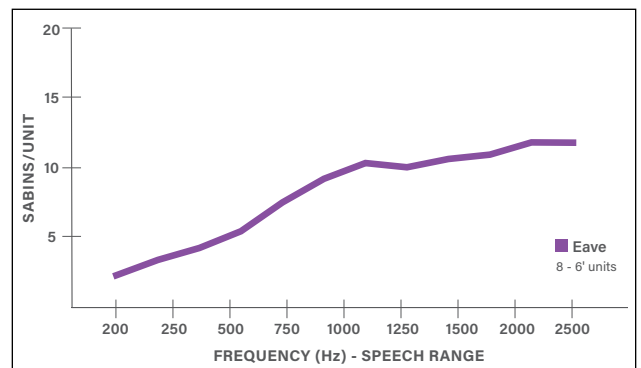
Available in 3', 4', 5' and 6' lengths.

Direct only or independently controlled Indirect/Direct distributions (3' direct only).

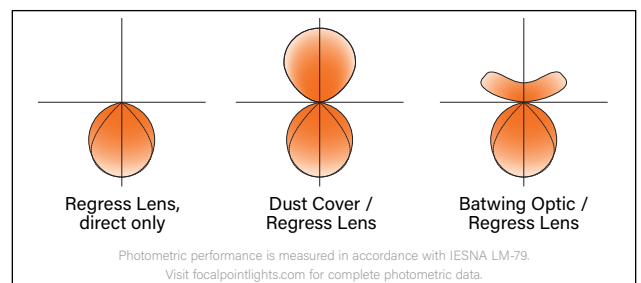
AirCore™ Technology: patent pending, eco-friendly technology that maximizes sound absorption and reduces ecological impact.

Excellent companion to Seem 1 Acoustic and Seem 1 Acoustic Trio with matching baffle width.

## ACOUSTIC PERFORMANCE



## DISTRIBUTIONS



fixture:

project:

## SPECIFICATIONS

### Acoustic Material

<b>Content</b>	Housing material is 100% polyester containing up to 50% of recycled plastic bottles (PET felt) with an ASTM E-84 Class A / CAN ULC S102 fire rating and is moisture resistant.  See page 3 for color offering. Acoustic material colors are subject to change without notice. For the most current color options, please visit focalpointlights.com/acousticsolutions. Lead times may vary depending on color.
<b>Cleaning and Care</b>	Remove dust and debris with a clean, soft, lint-free cloth or vacuum
<b>PET Thickness</b>	9mm
<b>NRC</b>	0.9

### Acoustic Performance

Acoustic testing is performed on all Focal Point acoustic products and varies based on installation and configuration. ASTM C423 test reports can be downloaded from focalpointlights.com. Contact acoustic.solutions@focalpointlights.com for technical questions.

### LED System

Proprietary linear LED module incorporates premium LEDs on a robust platform to achieve excellent thermal management. LEDs are placed to promote a uniform appearance. 80 and 90 CRI available in 3000K, 3500K or 4000K color temperatures. LED drivers are replaceable from above. Color accuracy <3 SDCM.

### Weight

3' length = 13lbs. 4' length = 19lbs. 5' length = 25lbs. 6' length = 27lbs.

### Optic

Reflectors fabricated of 22 Ga. steel finished in Matte White powder coat. Extruded acrylic lens .05" thick with frosted finish. 0.02" thick clear acrylic dust cover.

### End Cap

0.75" thickness White Oak. Available in Amber Oak, Espresso Oak or White Oak finishes. Consult factory for custom finishes. Slight variations in color and grain are inherent to the nature of real wood products and should be expected.

### Installation

Individual units only. Not intended for use in straight rows. Cannot be joined in the field.

### Electrical

Luminaires are pre-wired with factory installed branch circuit wiring and over-molded quick connects. Standard 120-277V constant current driver includes 0-10V analog dimming. Power factor > .9.

### Labels

ETL listed in accordance with UL standards. Suitable for Dry Locations, indoor use only.

### Lumen Maintenance

Reported: L70 at >61,000 hours Calculated: L70 at 470,000 hours  
L90 at >61,000 hours L90 at 115,000 hours

Derived from EPA TM-21 calculator. Based on typical conditions, consult factory for additional data.

### Reliability

At Focal Point, our products are designed to stand the test of time. Each luminaire is engineered using superior components, manufactured with the utmost care and rigorously tested. Contact us for reliability data.

### Warranty

LED system rated for operation in ambient environments up to 25°C and when mounted no less than 7.5" from the ceiling. 5-year limited warranty.

## 4' DIRECT PERFORMANCE CHART

See page 4 for Direct/Indirect performance

Shielding	Lumens per Foot	Delivered Lumens	Tested System Watts	LPW
Regress Lens	200	800	12	67
	300	1200	17	72
	400	1607	22	75
	500	2064	27	76
	600	2400	33	73
	700	2800	38	74

Based on 3500K, 4' lengths. Lumen Multipliers: Preferred Light = 0.65, 90 CRI = 0.87 Lumen output may vary +/- 5%. Actual wattage may vary +/- 5%.

## ORDERING

**Luminaire Series**  
Eave Acoustic Pendant

DVGP

DVGP

**Luminaire Length**  
(Lengths are nominal. Individual units only. Not intended for use in straight rows. Cannot be joined in the field.)

3' 3  
(3ft unit direct distribution only)  
4' 4  
5' 5  
6' 6

**Acoustic Panel Color**

See page 3 for color offering

**End Cap Finish**

Amber Oak AOK  
Espresso Oak EOK  
White Oak WOK

**Suspension**

24" Aircraft Cable Suspension C24  
48" Aircraft Cable Suspension C48  
96" Aircraft Cable Suspension C96  
120" Aircraft Cable Suspension C120

**Canopy Finish**

(All canopies are 5" round)

Amber Oak AOK  
Espresso Oak EOK  
White Oak WOK  
Black painted BK  
White painted WH  
Titanium Silver painted TS

**Cable Color**

Black BK  
White WH  
Gray GRY

(Gray cord 1C only)

**Shielding**

Regress lens, direct only RL  
(Required with 3ft.)

Dust Cover top/Regress lens bottom DCRL  
Batwing Optic top/Regress lens bottom BWRL

**Direct Distribution**

200 Lumens per foot 200DN  
300 Lumens per foot 300DN  
400 Lumens per foot 400DN  
500 Lumens per foot 500DN  
600 Lumens per foot 600DN  
700 Lumens per foot 700DN

**Indirect Distribution**

No indirect 0UP  
(Required with RL Shielding. Required with 3ft.)  
125 Lumens per foot 125UP  
(LD1 driver only with 4ft length)  
250 Lumens per foot 250UP  
375 Lumens per foot 375UP  
500 Lumens per foot 500UP  
625 Lumens per foot 625UP  
800 Lumens per foot 800UP

**Color Temperature**

3000K, 80CRI or 90 CRI 30K or 930K  
3500K, 80CRI or 90 CRI 35K or 935K  
4000K, 80CRI or 90 CRI 40K or 940K

**Circuit**

Single Circuit 1C  
Dual Circuit 2C  
(Direct/Indirect luminaires only)

**Voltage**

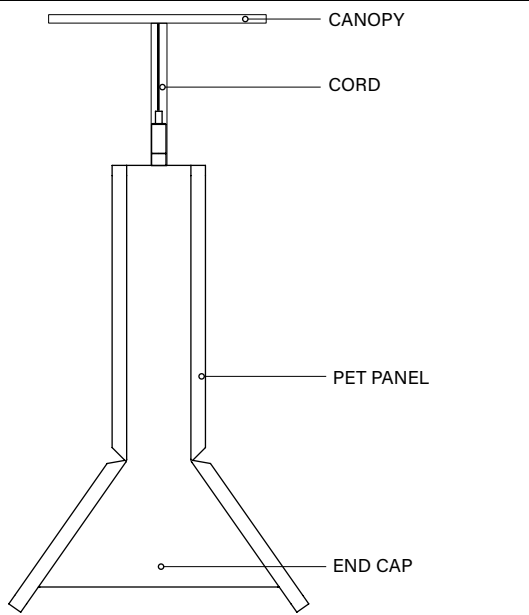
120/277 UNV Volt UNV

**Control System & Dimming Level**

0-10V - 10% Dimming LD1  
0-10V - 1% Dimming L11  
Lutron Hi-Lume EcoSystem (LDE1) - 1% Dimming LH1  
DALI 1% Dimming D11

# Decorative Finishes

## Finish Diagram



## End Cap & Canopy Finishes†



## Canopy only Finishes



## Cord Material



## PET Material\*

### STANDARD COLORS



### PREMIUM COLORS\*\*



## Declare.

### 9mm PET Felt Focal Point, LLC

Final Assembly: Chicago, Illinois, USA  
Life Expectancy: 30 Years  
End of Life Options: Salvageable/Reusable in its Entirety, Recyclable (100%)

#### Ingredients:

PET; Octadecanamide, N,N'-1,2-ethanediybis; Stearic Acid; Benzenamine, 4-(1-methyl-1-phenylethyl)-N-[4-(1-methyl-1-phenylethyl)phenyl]-; Benzenepranoic acid, 3,5-bis(1,1-dimethylethyl)-4-hydroxy-, octadecyl ester; Titanium dioxide

#### Living Building Challenge Criteria: Compliant

#### I-13 Red List:

LBC Red List Free    % Disclosed: 100% at 100ppm  
 LBC Red List Approved    VOC Content: Not Applicable  
 Declared

I-10 Interior Performance: CDPH Standard Method v1.1-2010  
I-14 Responsible Sourcing: Not Applicable

FPL-0001  
EXP: 01 FEB 2022  
Original Issue Date: 2020

MANUFACTURER RESPONSIBLE FOR LABEL ACCURACY  
INTERNATIONAL LIVING FUTURE INSTITUTE™ [living-future.org/declare](http://living-future.org/declare)

†Slight variations in color and grain are inherent to the nature of real wood products and should be expected.

\*Slight variations in the color of the PET felt should be expected as a result of the manufacturing process. \*\*Contact factory for lead time and pricing.

#### 4' DIRECT/INDIRECT PERFORMANCE CHART



**Dust Cover**  
Regress Lens



**Batwing Optic**  
Regress Lens

Direct Distribution	Indirect Distribution	Distribution % (Direct/Indirect)	Total Delivered Lumens	Tested System Watts	LPW	Total Delivered Lumens	Tested System Watts	LPW
200DN	125UP	62/38	1388	18	75	1376	18	74
	250UP	44/56	1728	20	87	1728	20	87
	375UP	35/65	2257	23	97	2224	23	96
	500UP	29/71	2750	27	104	2706	27	102
	625UP	24/76	3240	30	108	3184	30	106
	800UP	20/80	3912	35	110	3841	35	108
300DN	125UP	71/29	1789	23	77	1776	23	77
	250UP	55/45	2128	25	87	2128	25	87
	375UP	44/56	2657	28	95	2624	28	94
	500UP	38/62	3151	31	101	3106	31	99
	625UP	32/68	3640	35	105	3584	35	104
	800UP	27/73	4312	40	107	4241	40	106
400DN	125UP	76/24	2196	28	78	2183	28	78
	250UP	62/38	2535	29	86	2535	29	86
	375UP	52/48	3064	33	94	3031	33	93
	500UP	44/56	3557	36	99	3513	36	97
	625UP	39/61	4047	39	103	3991	39	101
	800UP	33/67	4719	45	105	4648	45	103
500DN	125UP	80/20	2652	34	79	2639	34	79
	250UP	67/33	2992	35	86	2992	35	86
	375UP	57/43	3520	38	92	3487	38	91
	500UP	50/50	4014	42	96	3970	42	95
	625UP	44/56	4503	45	100	4448	45	99
	800UP	38/62	5175	51	102	5104	51	101
600DN	125UP	80/20	2988	39	76	2976	39	76
	250UP	67/33	3328	41	82	3328	41	82
	375UP	57/43	3857	44	88	3824	44	87
	500UP	50/50	4350	47	92	4306	47	91
	625UP	44/56	4840	51	96	4784	51	95
	800UP	38/62	5512	56	98	5441	56	97
700DN	125UP	80/20	3388	44	76	3376	44	76
	250UP	67/33	3728	46	81	3728	46	81
	375UP	57/43	4257	49	87	4223	49	86
	500UP	50/50	4750	52	91	4706	52	90
	625UP	44/56	5239	56	94	5184	56	93
	800UP	38/62	5912	61	96	5841	61	95

\*Based on 3500k, 80CRI, 4' lengths. Lumen multipliers: Dust Cover Top = 1.23, 90 CRI = 0.87. Lumen output may vary +/- 5%. Actual wattage may vary +/- 5%.