








BEFORE YOU BEGIN

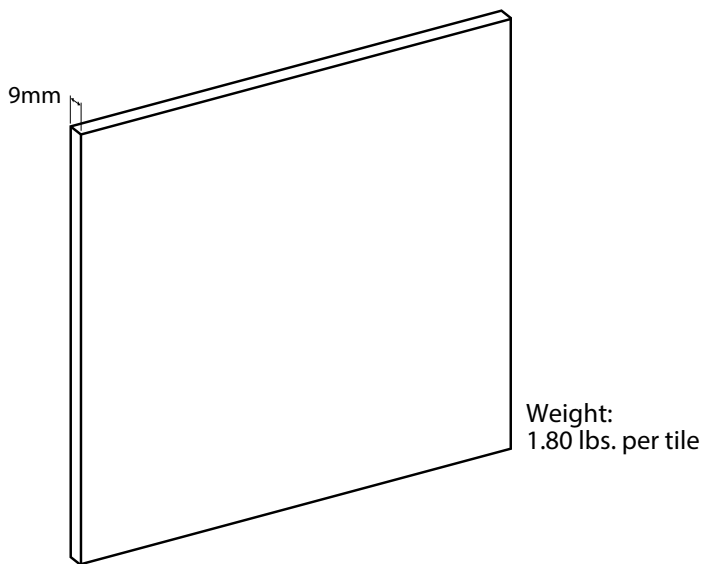
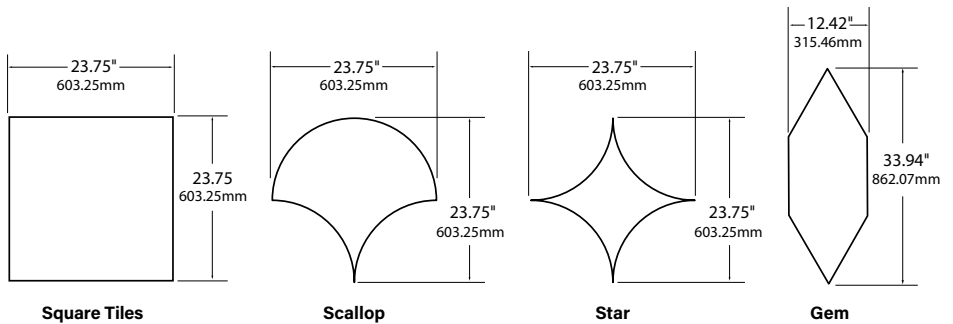
- Contractor is responsible for adequately reinforcing and preparing walls and/or ceilings for product installation.
- Focal Point, LLC accepts no responsibility for inadequately reinforcing and preparing walls and/or ceilings.
- The information contained in this drawing is the sole property of Focal Point, LLC. Any reproduction in part or whole without the written permission of Focal Point, LLC is prohibited.

INSTRUCTION KEY

-  **ATTENTION**
-  **SEE ADDITIONAL INSTRUCTIONS**
-  **POWER OFF**
-  **POWER ON**
-  **LEVEL**

COMPONENT KEY

FOCAL POINT





TILES CAN BE TRIMMED TO SIZE WITH UTILITY KNIFE OR TABLE SAW

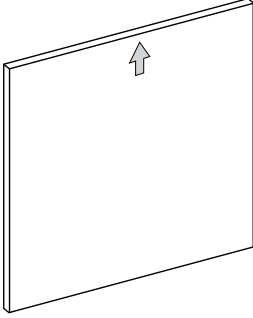



CONSTRUCTION ADHESIVE OR DOUBLE-SIDED TAPE RECOMMENDED FOR TILE INSTALLTION



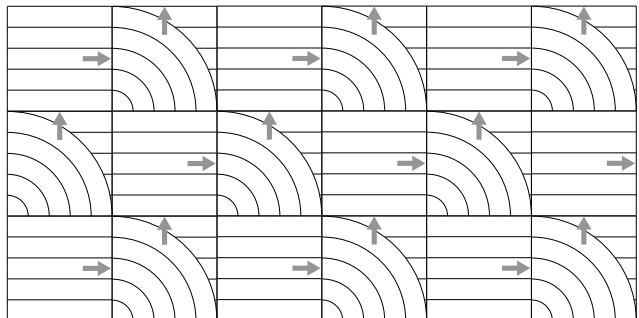
SEE ADHESIVE MANUFACTURER'S INSTRUCTIONS FOR SURFACE PREPARATION RECOMMENDATIONS

1



 ARROW ON BACK OF TILE INDICATES PRIMARY TILE ORIENTATION

2 (OPTIONAL) USE ARROWS TO GUIDE TILE ROTATION TO CREATE DESIRED PATTERN



WIDE RULE & WIDE ARC NEW DECO HORIZONTAL PATTERN SHOWN FOR EXAMPLE

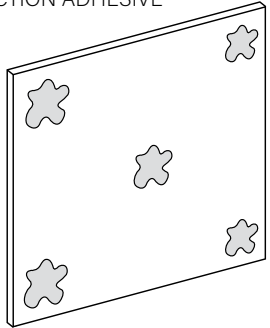
3



APPLY ADHESIVE TO BACK OF TILE

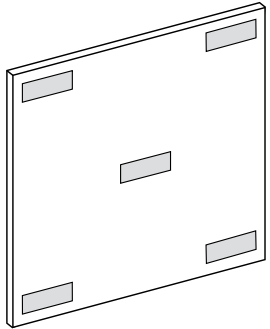
SEE MANUFACTURER'S INSTRUCTIONS FOR ADHESIVE APPLICATION RECOMENDATIONS

CONSTRUCTION ADHESIVE

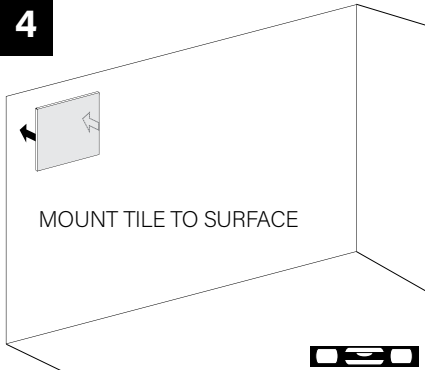


DO NOT APPLY ADHESIVE TOO CLOSE TO EDGES OF TILE TO PREVENT SQUEEZE-OUT

DOUBLE-SIDED TAPE



4

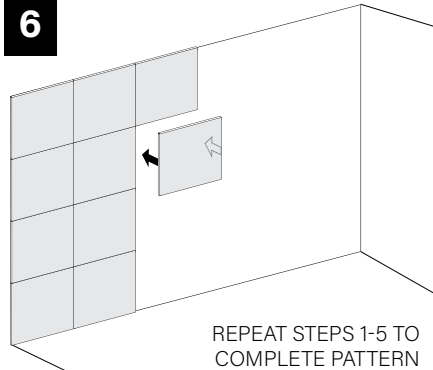


MOUNT TILE TO SURFACE

5 APPLY PRESSURE TO AREAS WHERE ADHESIVE HAS BEEN APPLIED



6



REPEAT STEPS 1-5 TO COMPLETE PATTERN