



BEFORE YOU BEGIN

- Products must be installed by a qualified professional (check with local and national codes for proper installation).
- Contractor is responsible for adequately reinforcing walls and/or ceilings to support fixture weight.
- Focal Point, LLC accepts no responsibility for inadequately reinforced walls and/or ceilings.
- The information contained in this drawing is the sole property of Focal Point, LLC. Any reproduction in part or whole without the written permission of Focal Point, LLC is prohibited.

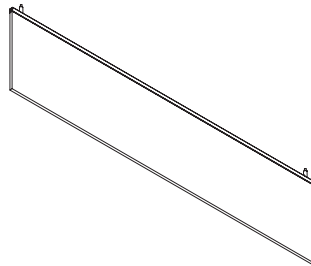
INSTRUCTION KEY

ATTENTION

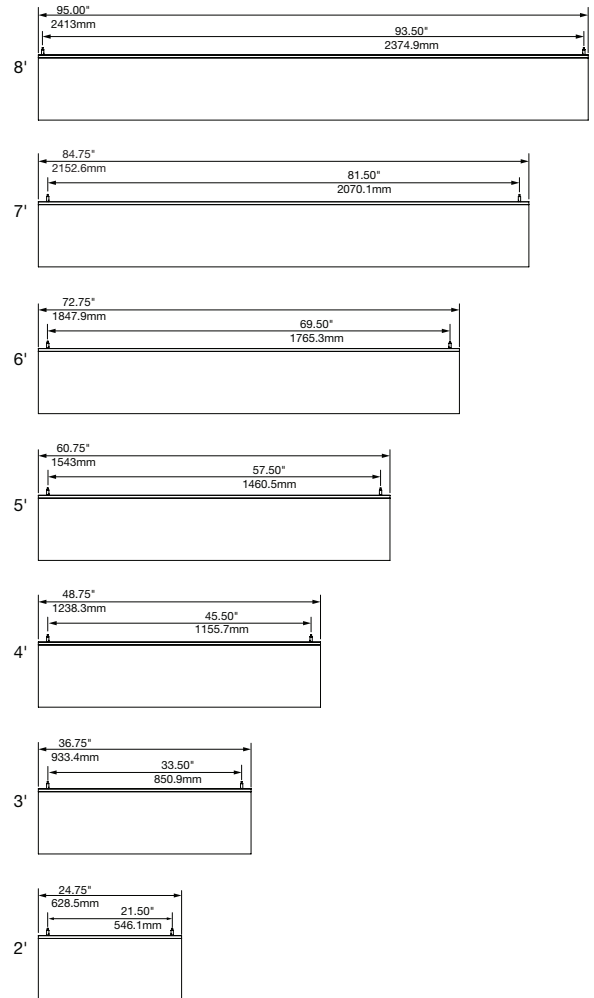
SEE ADDITIONAL INSTRUCTIONS

COMPONENT KEY

FOCAL POINT



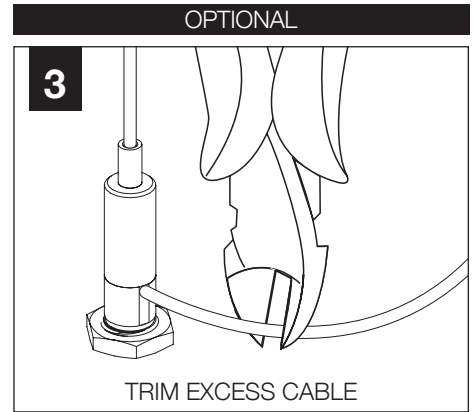
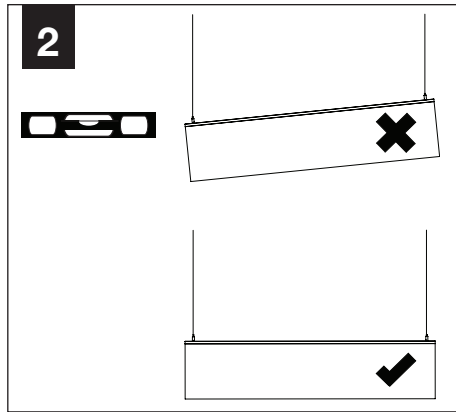
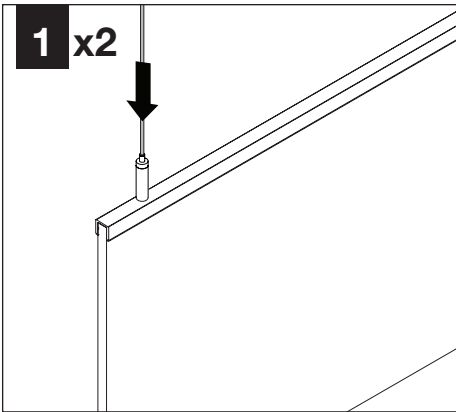
MOUNTING LOCATIONS



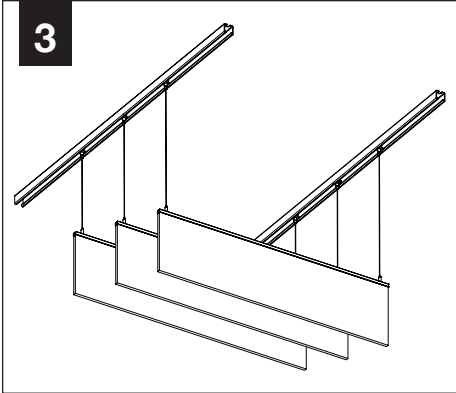
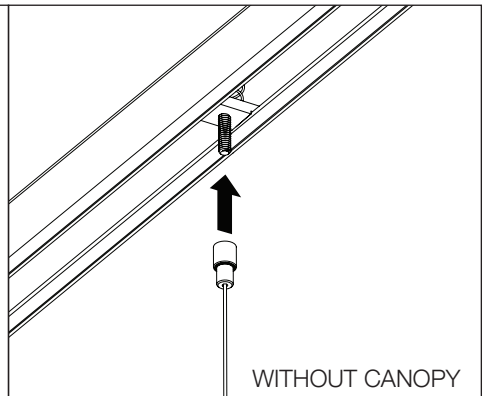
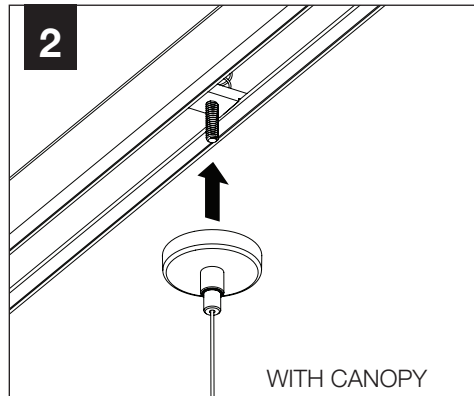
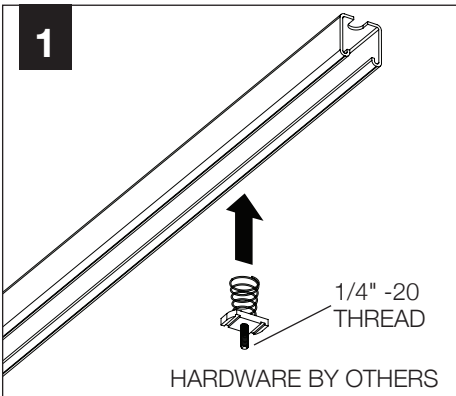
FOLLOW FOCAL POINT INSTRUCTIONS FOR UNIVERSAL SUSPENSION SYSTEM ASSEMBLY. SEE IS0166

FOR DIFFERENT CEILING INSTALLATIONS SEE PAGES 2-3

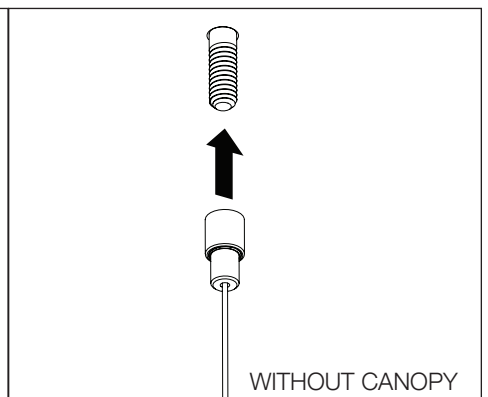
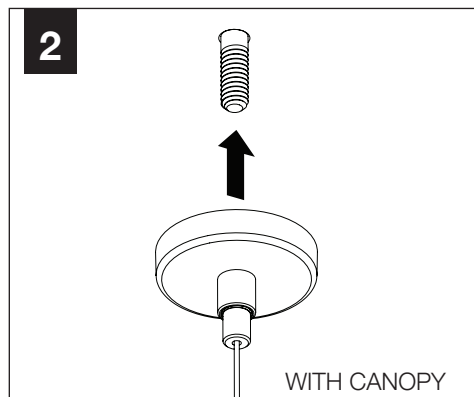
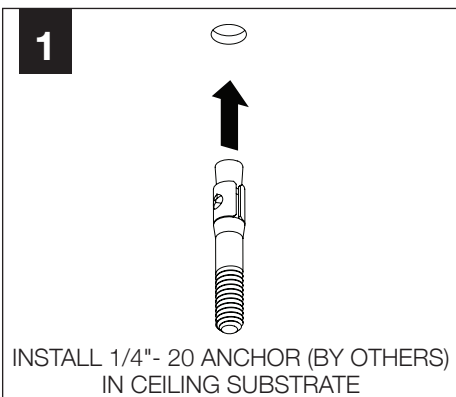
DO NOT HANDLE BY LIP OF ACOUSTIC MATERIAL



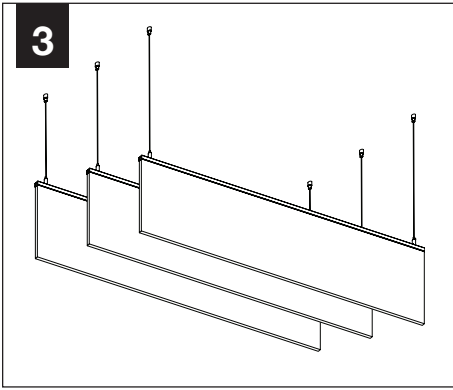
CEILING STRUT INSTALLATION



DRYWALL/HARD SURFACE CEILING INSTALLATION



DRYWALL/HARD SURFACE CEILING INSTALLATION



GRID CEILING INSTALLATION

