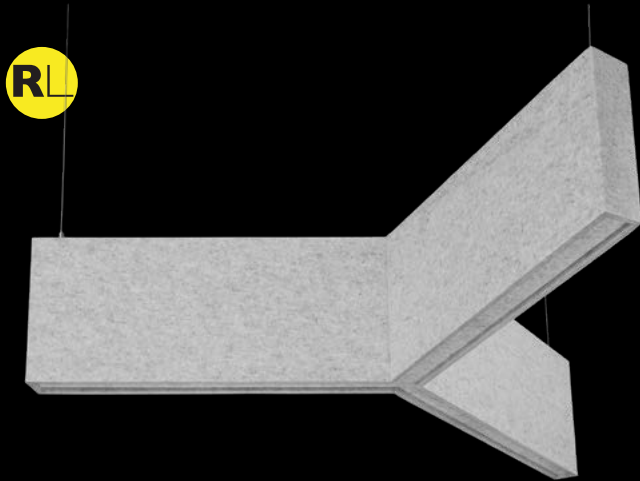
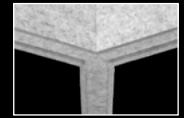


Seem® 1 Acoustic Trio

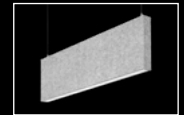
UNLIT



The Naturals collection - Direct companion in Gray Elm shown

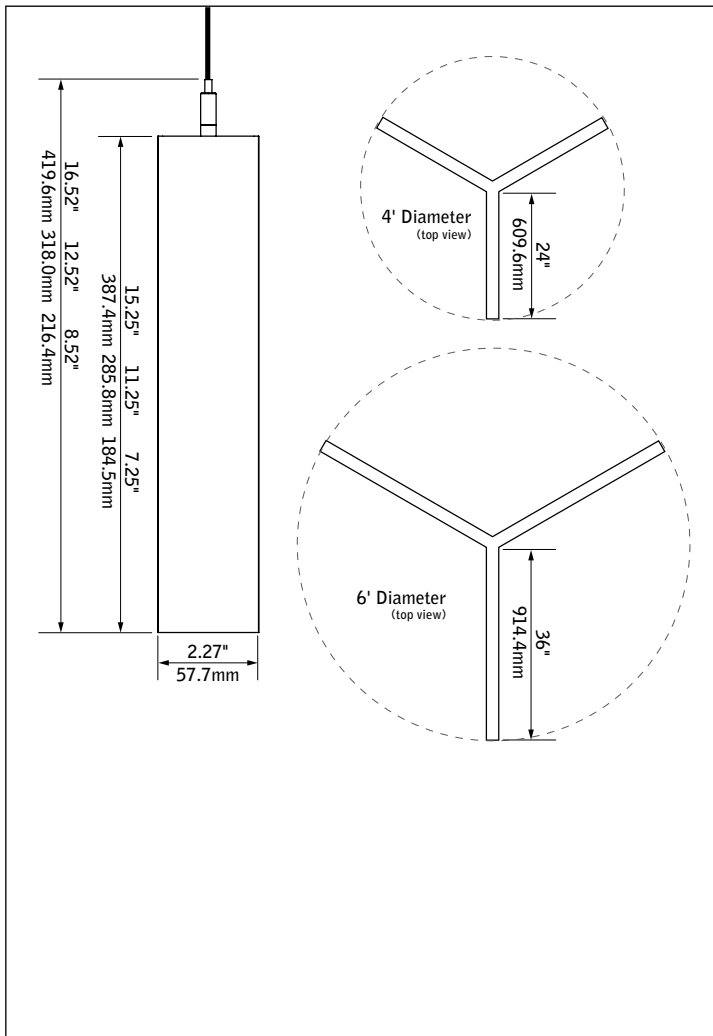


Center detail



Seem 1 Acoustic companion

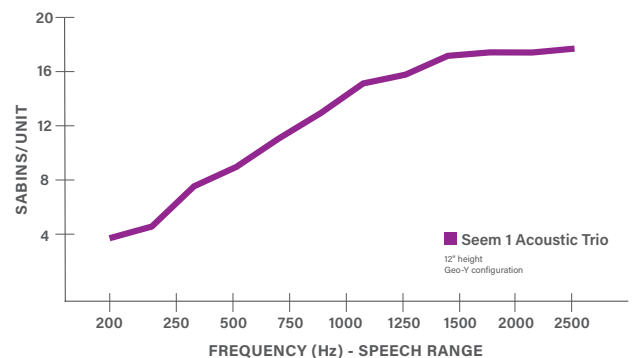
DIMENSIONAL DATA



FEATURES

- Narrow, sound absorbing 1.5" aperture 'Y' shaped acoustic pendant.
- Available in 4' and 6' diameters with 8", 12", and 16" nominal housing heights.
- Engineered to maximize sound absorption and to create a statement as a stand-alone pendant, in a cluster or as part of a system when paired with Seem 1 Acoustic.
- AirCore™, patent pending, eco-friendly technology that maximizes sound absorption and reduces ecological impact.
- Wide range of color options provides design flexibility and personalization for any project.
- Available with The Naturals, a series of finishes that exude biophilic beauty.

ACOUSTIC PERFORMANCE

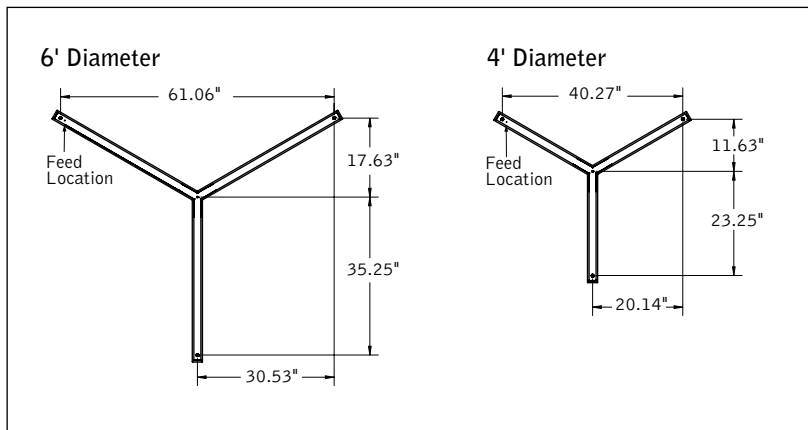


All products were tested in multiple configured arrays. Total absorption will vary based on configuration. Please refer to ASTM C423 reports for more information.

fixture:

project:

MOUNTING DETAILS



SPECIFICATIONS

Acoustic Material

Content	Housing material is 100% polyester containing up to 50% of recycled plastic bottles (PET felt) and is moisture resistant. See page 3 for color offering. Acoustic material colors are subject to change without notice. For the most current color options, please visit focalpointlights.com/acousticsolutions . Lead times may vary depending on color.
Cleaning and Care	Remove dust and debris with a clean, soft, lint-free cloth or vacuum
PET Thickness	9mm
Surface Burning Characteristics	ASTM E84 Class A / CAN ULC S102 Flame Spread: 0 Smoke Development Index: 300

Acoustic Performance

Acoustic testing is performed on all Focal Point acoustic products and varies based on installation and configuration. ASTM C423 test reports can be downloaded from focalpointlights.com. Contact acoustic.solutions@focalpointlights.com for technical questions.

Sabins	Sabins is a unit of sound absorption. It measures how well one square foot of material absorbs sound. Focal Point has averaged the Sabins per unit at four specific frequency bands representing the human speech range (250, 500, 1000, 2000 Hz) to determine the Sabins per product. Sabins/unit varies based on configuration: Geo Y Configuration = 12.24 Sabins Staggered Hex Configuration = 12.07 Sabins
---------------	--

Labels

Suitable for Dry Locations, indoor use only.

Weight

12" height, 4' diameter = 16.2lbs. 12" height, 6' diameter = 24.3lbs.

Canopy

Polyester powder coat applied over a multi-stage pre-treatment. Canopy white as standard.

Reliability

At Focal Point, our products are designed to stand the test of time. Each product is engineered using superior components, manufactured with the utmost care and rigorously tested.

Warranty

5-year limited warranty.

ORDERING

Luminaire Series

Seem 1 Acoustic Trio Unlit AUSM1TP

AUSM1TP

Nominal Size

4' Diameter 4
6' Diameter 6

Shielding

Solid PET SD

SD

Height

(heights are nominal)
8" nominal 8
12" nominal 12
16" nominal 16

Mounting

(Mounting hang kits ship with order)

24" Cable Suspension J24__
48" Cable Suspension J48__
96" Cable Suspension J96__
120" Cable Suspension J120__

(Specify canopy color White (WH), Black (BK) or Titanium Silver (TS). Example: J24WH.)
(Consult factory for sloped ceiling applications)

Acoustic Panel Color

See page 3 for color offering
(Consult factory for multi-colored units)

Acoustic Materials



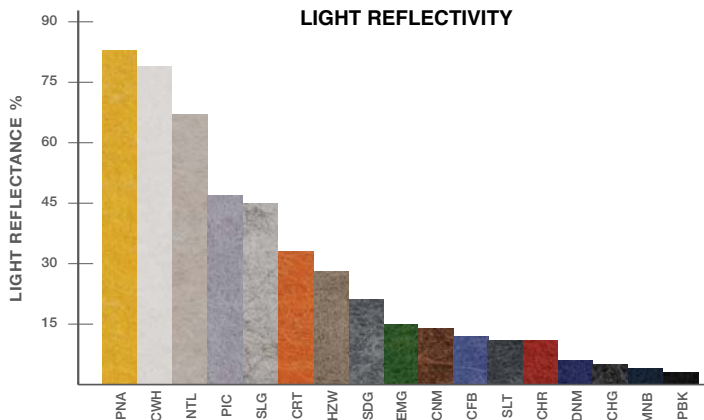
THE NATURALS (25% SCALE)



STANDARD PET



PREMIUM PET



PET
Focal Point, LLC

Final Assembly: Chicago, Illinois, USA
Life Expectancy: 30 Year(s)
End of Life Options: Salvageable/Reusable in its Entirety, Recyclable (100%)

Ingredients:

Polyethylene terephthalate: PET; **N, N'-Ethylene bisstearamide:** Octadecanamide, N,N'-1,2-ethanediylbis-; **Stearic Acid;** Stearic Acid; **Antioxidant 1076:** Benzenepropanoic acid, 3,5-bis(1,1-dimethylethyl)-4-hydroxy-, octadecyl ester; **Antioxidant KY-405:** Benzenamine, 4-(1-methyl-1-phenylethyl)-N-[4-(1-methyl-1-phenylethyl)phenyl]; **Titanium Dioxide:** Titanium dioxide

Living Building Challenge Criteria:

I-13 Red List:

- LBC Red List Free
- LBC Red List Approved
- Declared

% Disclosed: 100% at 100ppm
VOC Content: Not Applicable

I-10 Interior Performance: Not Compliant
I-14 Responsible Sourcing: Not Applicable

FPL-0001
EXP. 01 APR 2025
Original Issue Date: 2020

MANUFACTURED BY FOCAL POINT, LLC, CHICAGO, IL, USA
INTERNATIONAL LIVING FUTURE INSTITUTE™ living-future.org/declare