

Skydome® Edge Acoustic

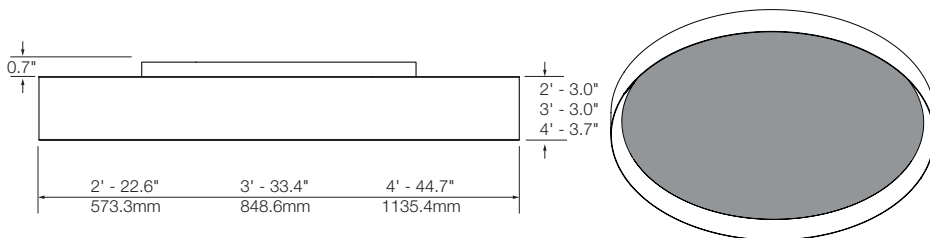
AUSDEPSM-22 | 33 | 44



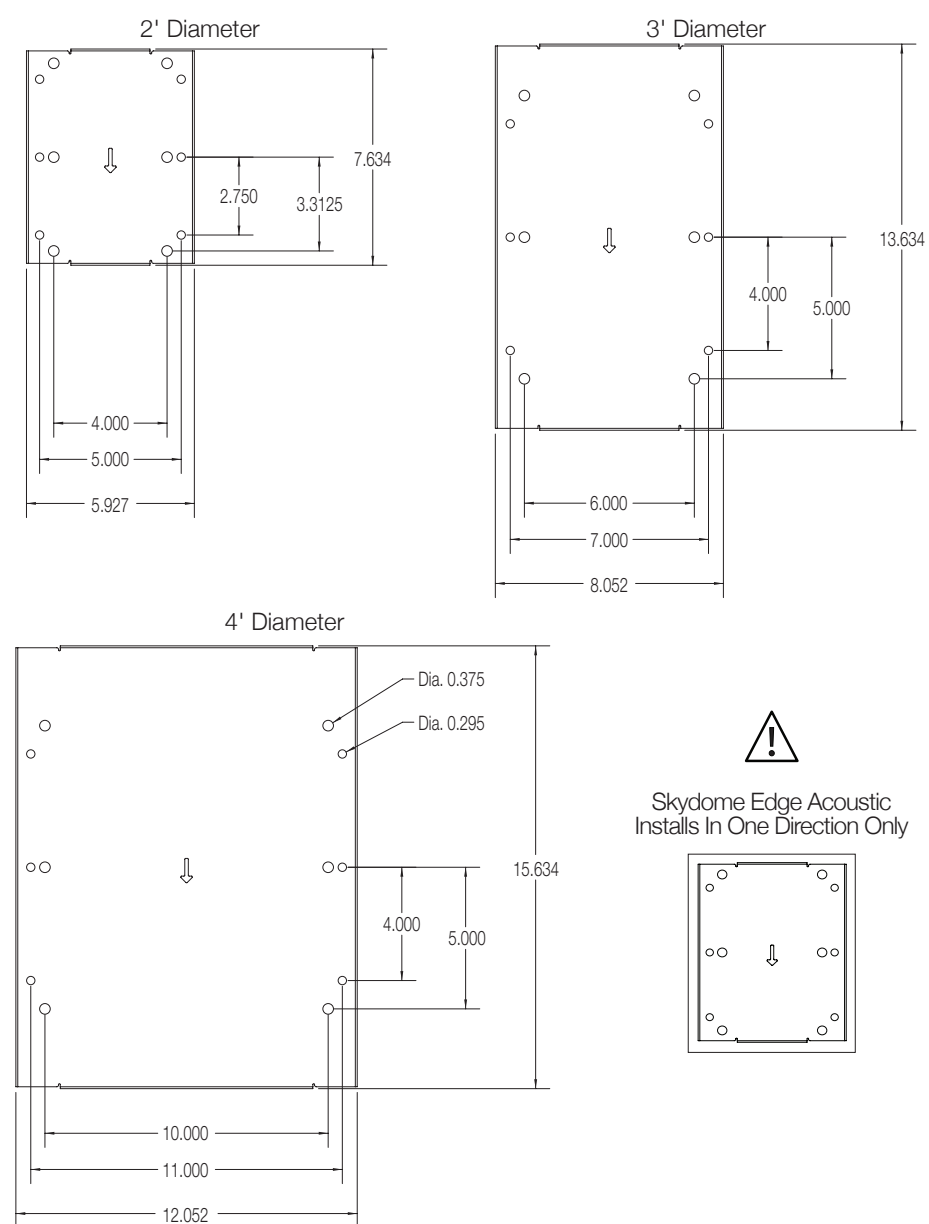
BEFORE YOU BEGIN

- Fixtures must be installed by a qualified professional (check with local and national codes for proper installation).
- Contractor is responsible for adequately reinforcing walls and/or ceilings to support fixture weight.
- Focal Point, LLC accepts no responsibility for inadequately reinforced walls and/or ceilings.
- The information contained in this drawing is the sole property of Focal Point, LLC. Any reproduction in part or whole without the written permission of Focal Point, LLC is prohibited.

DIMENSIONS



MOUNTING LOCATIONS



INSTRUCTION KEY

ATTENTION

SEE ADDITIONAL INSTRUCTIONS

