

# Nivo™ Acoustic

AUNV

AirCore Technology™



FOCAL POINT®

## BEFORE YOU BEGIN

### PRODUCT IS ASSEMBLED IN THE FIELD

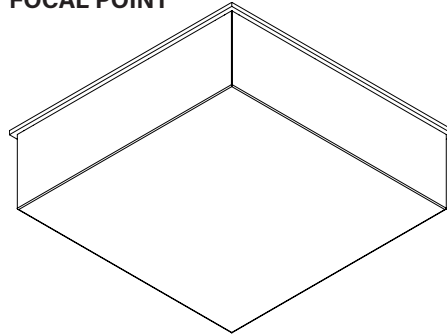
- Contractor is responsible for adequately reinforcing walls and/or ceilings to support fixture weight.
- Focal Point, LLC accepts no responsibility for inadequately reinforced walls and/or ceilings.
- The information contained in this drawing is the sole property of Focal Point, LLC. Any reproduction in part or whole without the written permission of Focal Point, LLC is prohibited.

## INSTRUCTION KEY

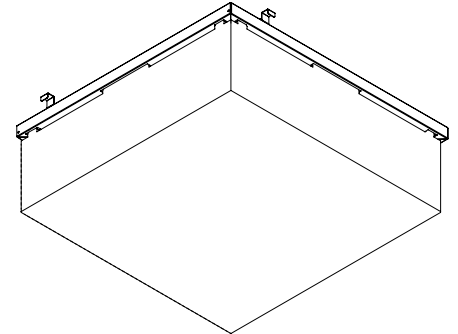
**ATTENTION**

## COMPONENT KEY

### FOCAL POINT

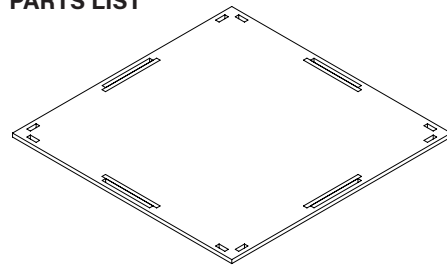


Standard Assembly

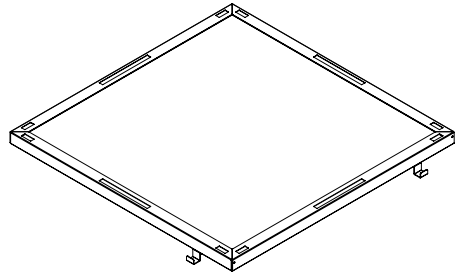


Plenum/Chicago Plenum Assembly

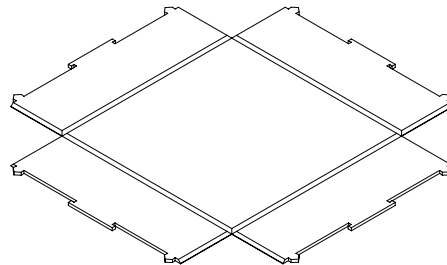
### PARTS LIST



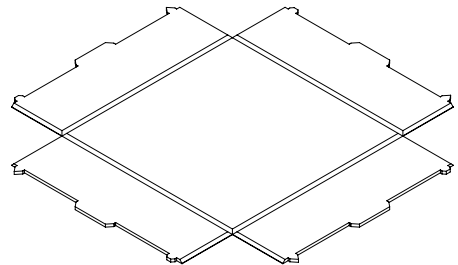
Back Panel



Plenum/Chicago Plenum Back Panel

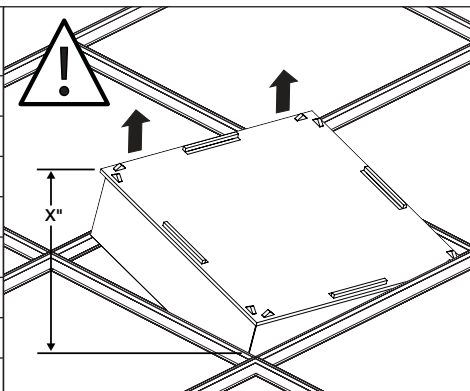


Drop Tile (ships flat)



Plenum/Chicago Plenum Drop Tile (ships flat)

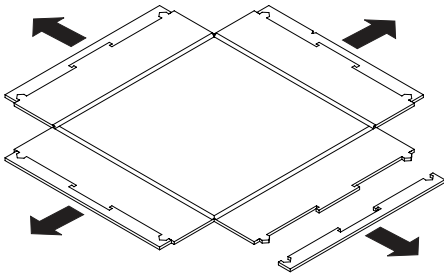
DROP TILE HEIGHT (IN)	CLEARANCE REQUIRED ABOVE CEILING (IN)
Flush	7"
1"	10"
2"	12"
3"	14"
4"	17"
5"	19"
6"	21"
7"	23"



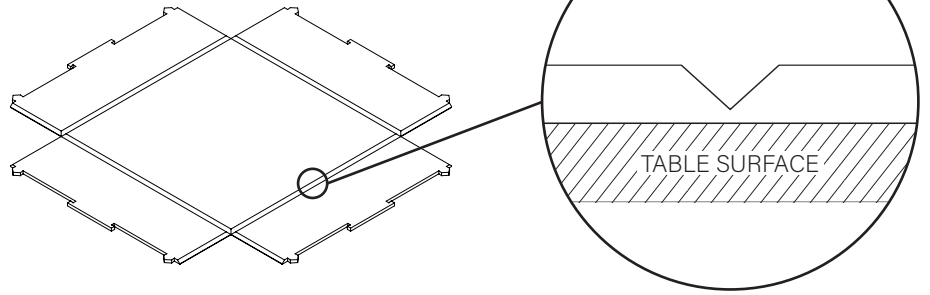
**ASSEMBLE ON A FLAT SURFACE TO ENSURE PROPER ALIGNMENT**

# STANDARD INSTALLATION

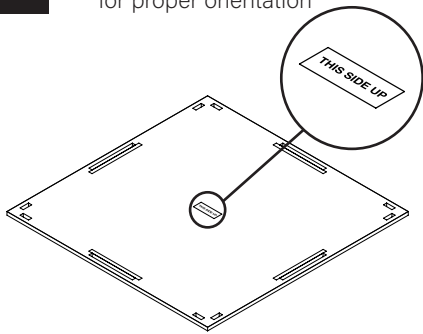
**1** Remove excess PET material from Drop Tile prior to installation



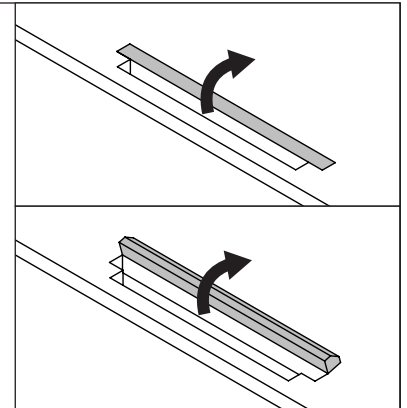
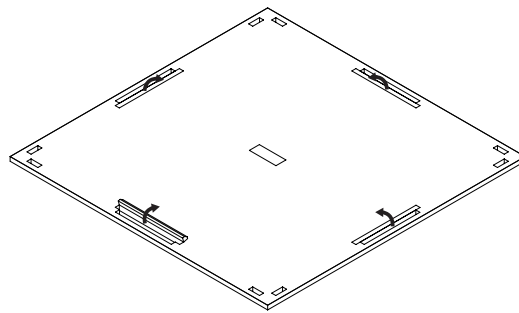
**2** Orient Drop Tile with v-cuts facing upward



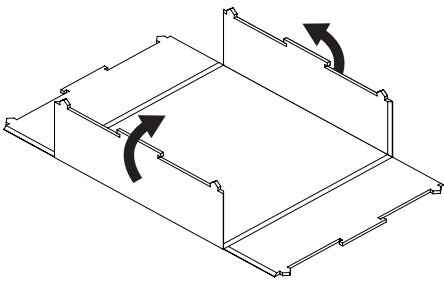
**3** Refer to label on Back Panel for proper orientation



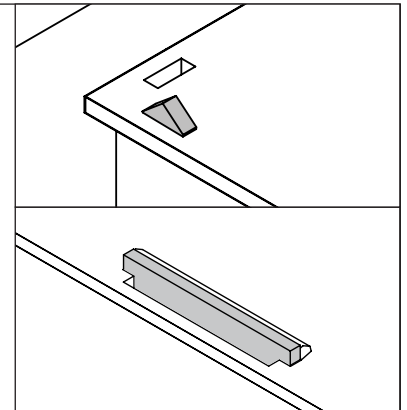
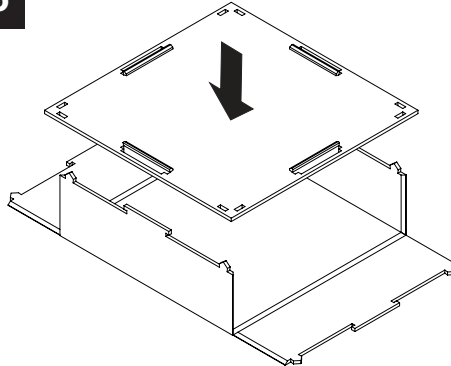
**4** Flip up flaps on Back Panel



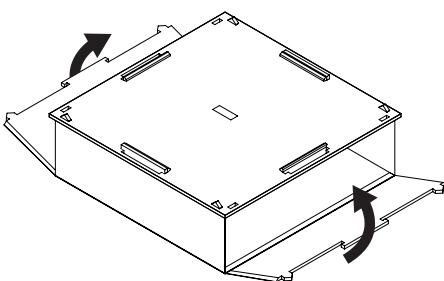
**5**



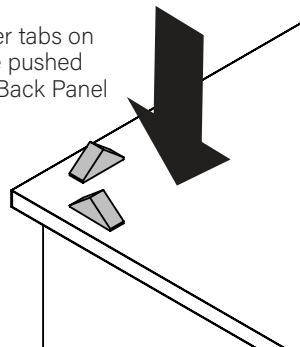
**6** Insert tabs on Drop Tile into slots on Back Panel

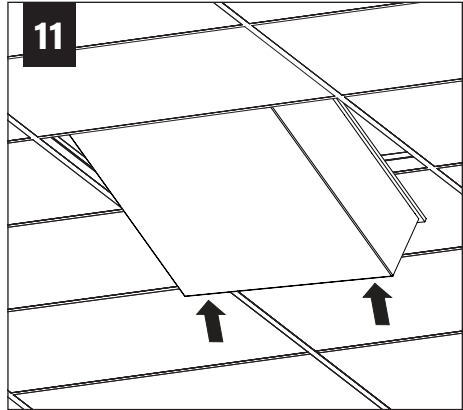
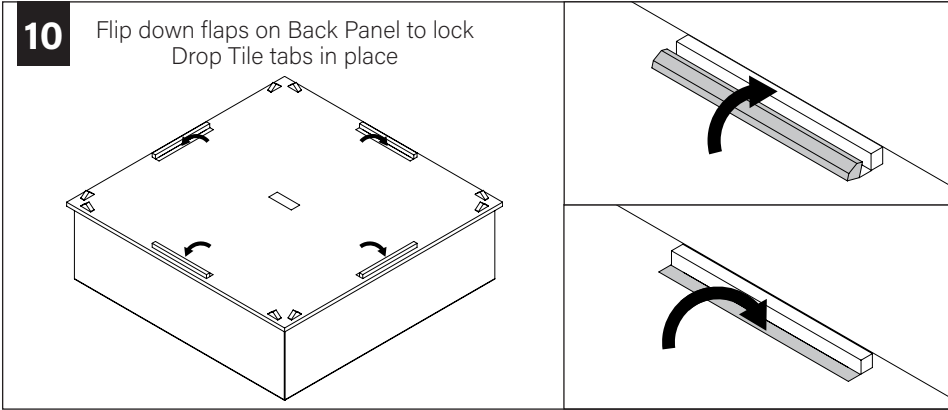
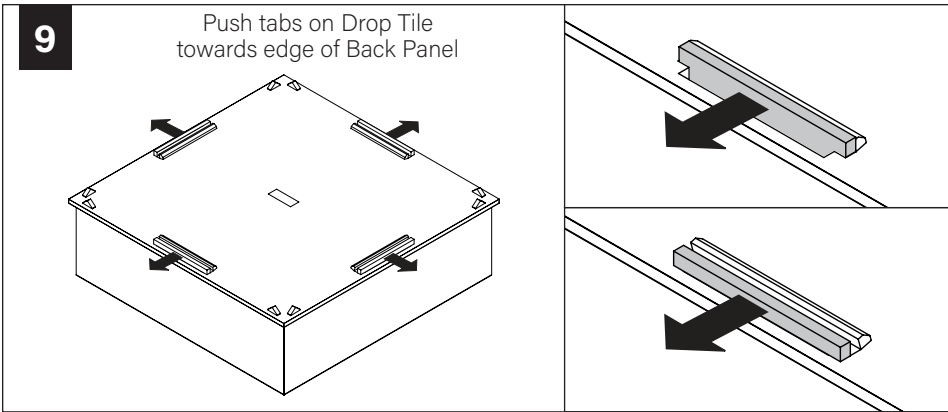


**7** Insert tabs on Drop Tile into slots on Back Panel

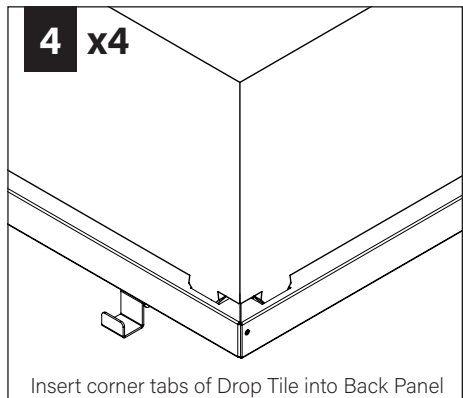
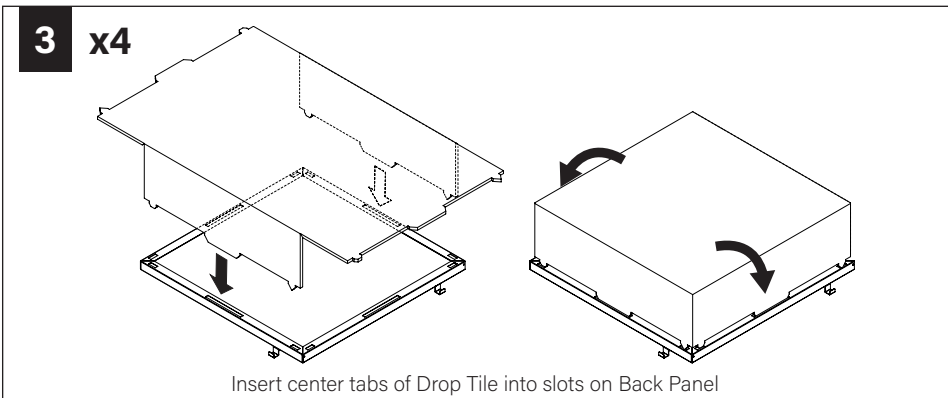
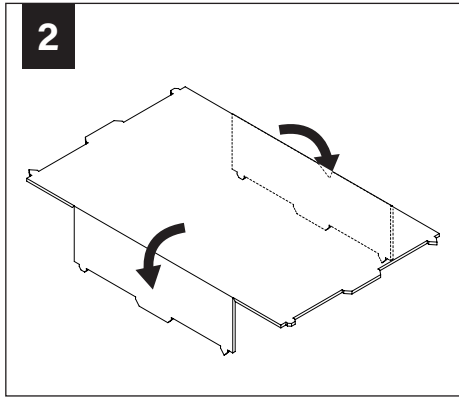
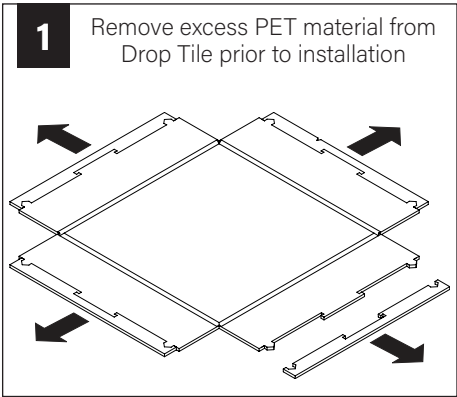


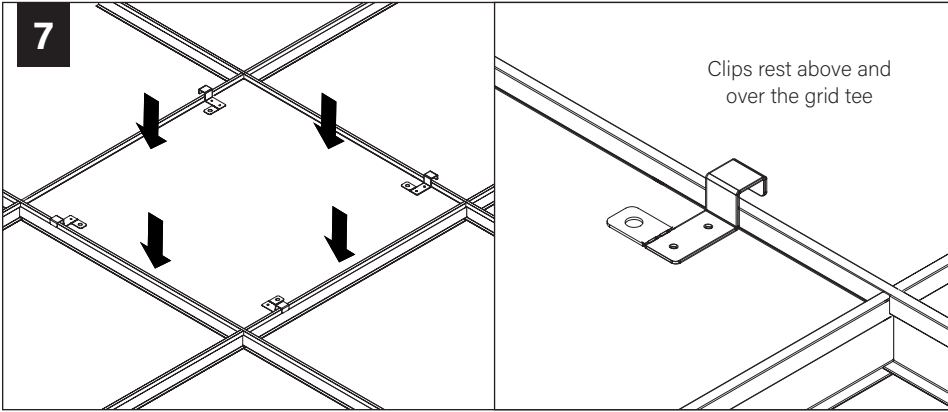
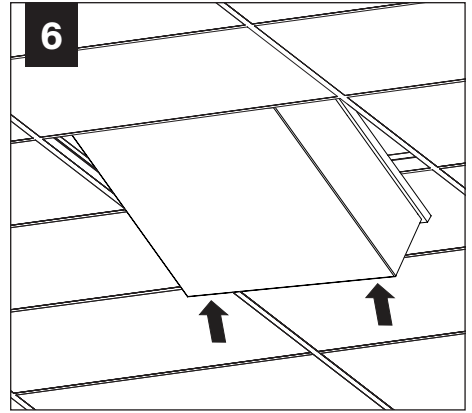
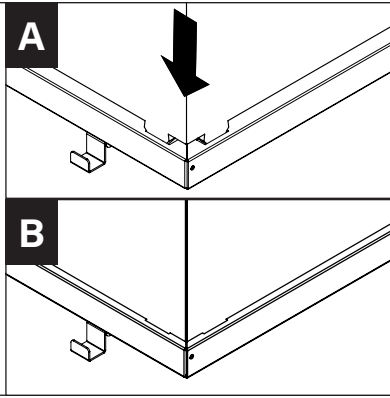
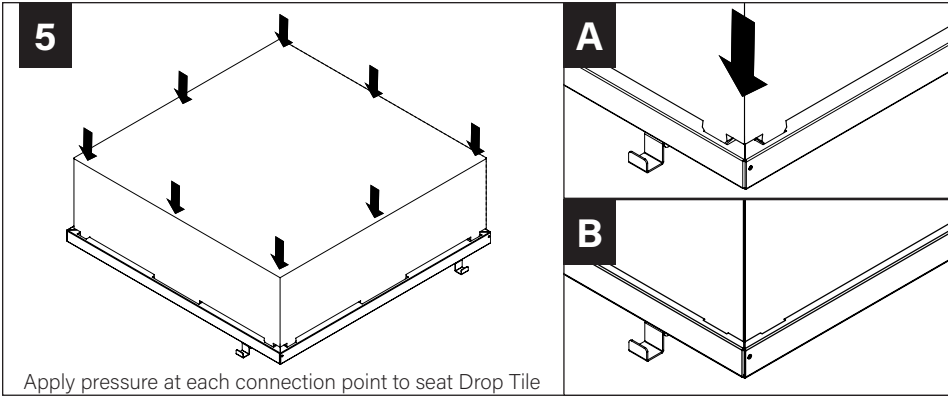
**8** Ensure corner tabs on Drop Tile are pushed entirely into Back Panel





**PLENUM/CHICAGO PLENUM INSTALLATION**





Secure to structure above [OPTIONAL]

