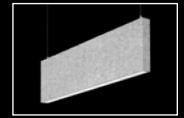
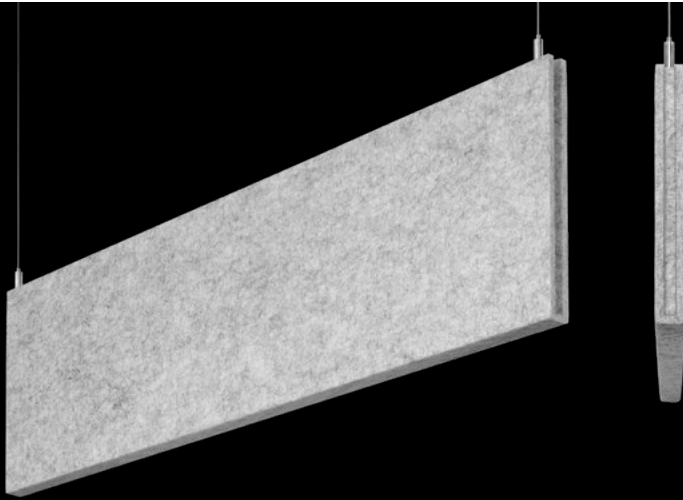


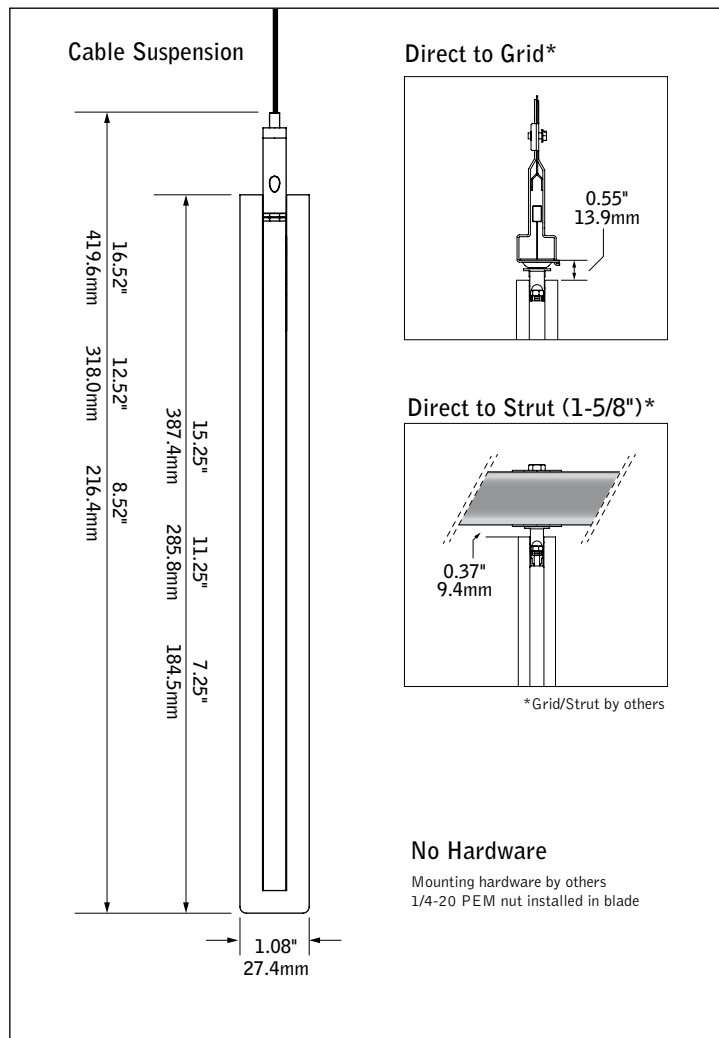
AirCore™ Blade

UNLIT ACOUSTIC



Seem 1 Acoustic luminaires

DIMENSIONAL DATA



FEATURES

Slim, 1" wide, sound absorbing unlit acoustic blade.

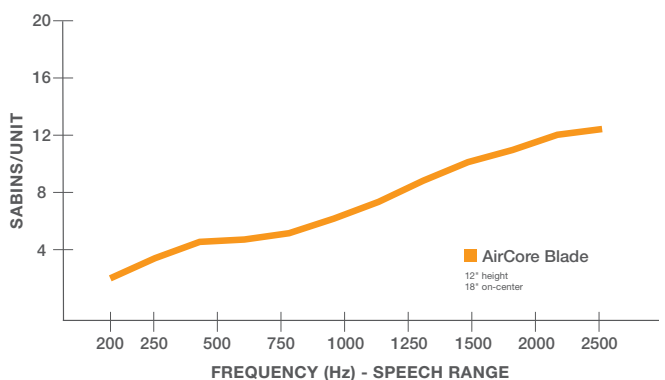
Available in 2' to 8' lengths in 1" increments with 8", 12" or 16" nominal housing heights.

AirCore™: patent pending, eco-friendly technology that maximizes sound absorption and reduces ecological impact.

Wide range of color options provides design flexibility and personalization for any project.

Pair with Seem 1 Acoustic luminaires to create a coordinated look within interior spaces.

ACOUSTIC PERFORMANCE



All products were tested in multiple configured arrays. Total absorption will vary based on configuration. Please refer to ASTM C423 reports for more information.

fixture:

project:

MOUNTING DETAILS

Nominal Length	Actual Length (L)	Suspension Spacing (S)	End of blade to mounting point (E)
2'	24.75"	21.50"	1.625" (2' - 7' 11")
3'	36.75"	33.50"	
4'	48.75"	45.50"	
5'	60.75"	57.50"	
6'	72.75"	69.50"	
7'	84.75"	81.50"	
8'	95.00"	93.50"	

No Hardware (NH)
Mounting hardware by others.
1/4"-20 PEM nut installed in blade

Thread Engagement Requirements
Minimum Depth: 0.375"
Maximum Depth: 0.83"
(longer length will extend above the height of blade)

SPECIFICATIONS

Acoustic Material

Content	Housing material is 100% polyester containing up to 50% of recycled plastic bottles (PET felt) and is moisture resistant. See page 3 for color offering. Acoustic material colors are subject to change without notice. For the most current color options, please visit focalpointlights.com/acousticsolutions . Lead times may vary depending on color.
Cleaning and Care	Remove dust and debris with a clean, soft, lint-free cloth or vacuum
PET Thickness	9mm
Surface Burning Characteristics	ASTM E84 Class A / CAN ULC S102 Flame Spread: 0 Smoke Development Index: 300

Acoustic Performance

Acoustic testing is performed on all Focal Point acoustic products and varies based on installation and configuration. ASTM C423 test reports can be downloaded from focalpointlights.com. Contact acoustic.solutions@focalpointlights.com for technical questions.

Sabins	Sabins is a unit of sound absorption. It measures how well one square foot of material absorbs sound. Focal Point has averaged the Sabins per unit at four specific frequency bands representing the human speech range (250, 500, 1000, 2000 Hz) to determine the Sabins per product. 8' length, 12" height: 12" OC = 6.78 Sabins 18" OC = 7.35 Sabins 24" OC = 7.61 Sabins
NRC	Noise Reduction Coefficient (NRC) is the average of how absorptive a material is at various frequencies within the human speech frequency range. Two materials with the same rating may not perform the same in application. Typically, an NRC of 0 indicates perfect reflection, and an NRC of 1 is designated as perfect absorption. However, based on the testing methodology and depending upon the material's shape or surface area products can test at an NRC greater than 1. NRC = 0.90

Labels

Suitable for Dry Locations, indoor use only.

Weight

12" height, 4' length = 5.75lbs. 12" height, 6' length = 8.63lbs. 12" height, 8' length = 11.5lbs.

Canopy (suspended mounting only)

Polyester powder coat applied over a multi-stage pre-treatment. Canopy white as standard.

Reliability

At Focal Point, our products are designed to stand the test of time. Each product is engineered using superior components, manufactured with the utmost care and rigorously tested.

Warranty

1-year limited warranty.

ORDERING

Series	AUABS
AirCore Blade	AUABS
Blade Height <small>(heights are nominal)</small>	
8"	8"
12"	12"
16"	16"

Mounting

Suspended

(Mounting hang kits ship with order)

24" Cable Suspension	J24
48" Cable Suspension	J48
96" Cable Suspension	J96
120" Cable Suspension	J120

(Specify canopy color White (WH), Black (BK) or Titanium Silver (TS). Example: J24WH)
(Consult factory for sloped ceiling applications)

Surface Mounted

Direct/Flush to Grid	DTG
Direct/Flush to Strut	DTS

Hardware by others

(Mounting hardware provided by others)

No Hardware	NH
-------------	----

Acoustic Panel Color

See page 3 for color offering

Blade Length

(Baffles are nominal in length. Baffles cannot be cut to length or joined together in field.)

Specify length in 1" increments
_ft _in
from 2' to 8'

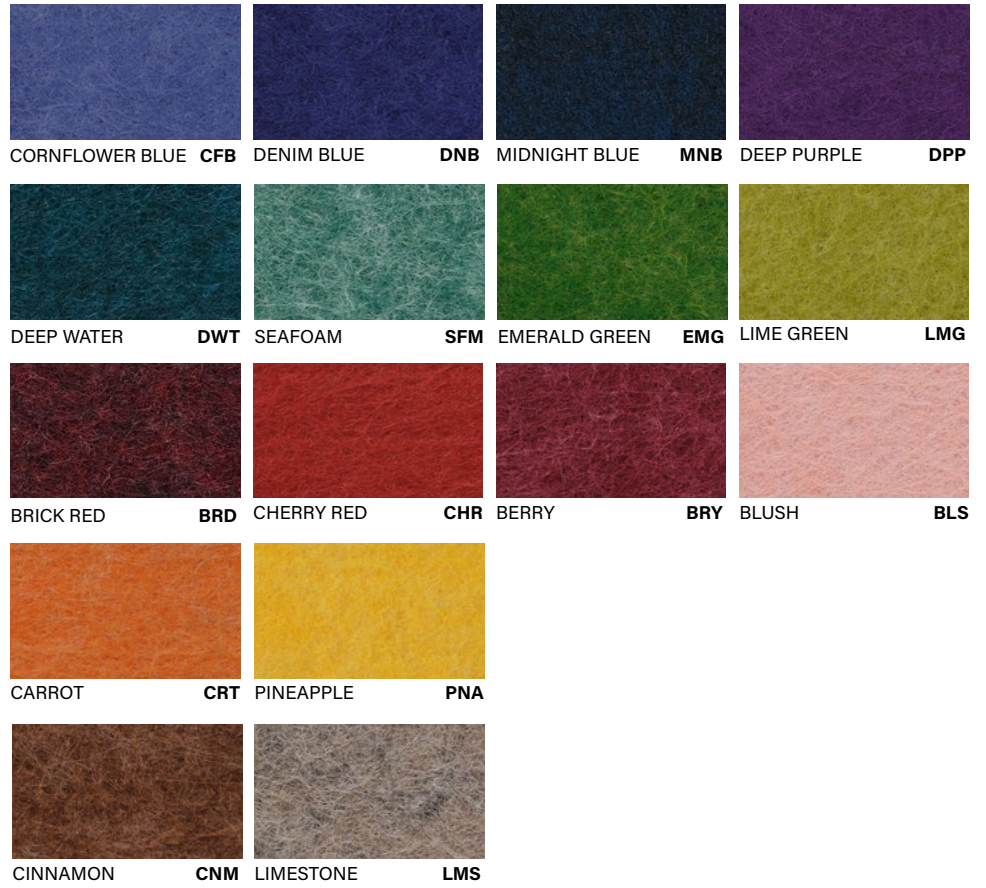
Acoustic Material Colors



STANDARD COLORS



PREMIUM COLORS*



*Contact factory for lead time and pricing.

Declare.

9mm PET Felt Focal Point, LLC

Final Assembly: Chicago, Illinois, USA
Life Expectancy: 30 Years
End of Life Options: Salvageable/Reusable in its Entirety, Recyclable (100%)

Ingredients:

PET; Octadecanamide, N,N'-1,2-ethanediylbis-; Stearic Acid; Benzenamine, 4-(1-methyl-1-phenylethyl)-N-[4-(1-methyl-1-phenylethyl)phenyl]-; Benzenepropanoic acid, 3,5-bis(1,1-dimethylethyl)-4-hydroxy-, octadecyl ester; Titanium dioxide

Living Building Challenge Criteria: Compliant

I-13 Red List:

LBC Red List Free % Disclosed: 100% at 100ppm
 LBC Red List Approved VOC Content: Not Applicable
 Declared

I-10 Interior Performance: CDPH Standard Method v1.1-2010
I-14 Responsible Sourcing: Not Applicable

FPL-0001
EXP. 01 FEB 2022
Original Issue Date: 2020

MANUFACTURER RESPONSIBLE FOR LABEL ACCURACY
INTERNATIONAL LIVING FUTURE INSTITUTE™ living-future.org/declare

LIGHT REFLECTIVITY

