

AirCore Blade

AUABS

AirCore Technology™



BEFORE YOU BEGIN

- Products must be installed by a qualified professional (check with local and national codes for proper installation).
- Contractor is responsible for adequately reinforcing walls and/or ceilings to support fixture weight.
- Focal Point, LLC accepts no responsibility for inadequately reinforced walls and/or ceilings.
- The information contained in this drawing is the sole property of Focal Point, LLC. Any reproduction in part or whole without the written permission of Focal Point, LLC is prohibited.

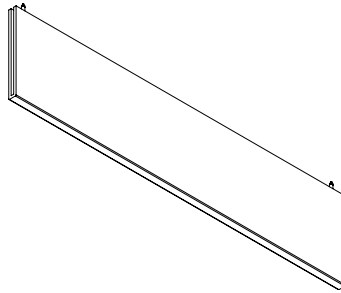
INSTRUCTION KEY

ATTENTION

SEE ADDITIONAL INSTRUCTIONS

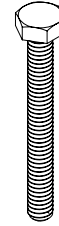
COMPONENT KEY

FOCAL POINT

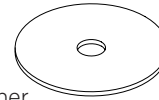


DIRECT TO STRUT BAGGED HARDWARE

Bolt
1/4-20 x 2.25"
(700387)

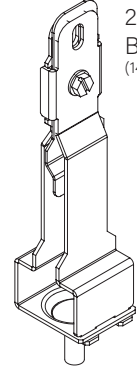


Flat Washer
1.5" x .281" x .062"
(75221)

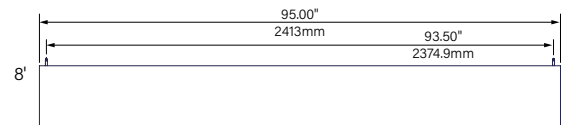
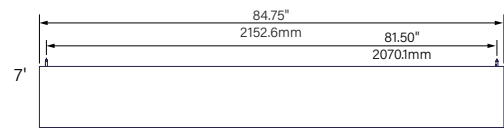
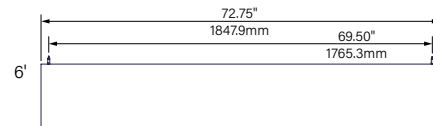
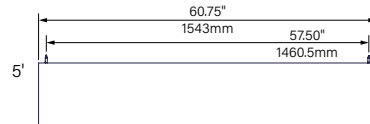
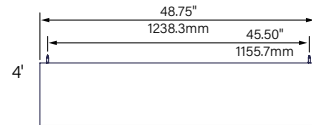
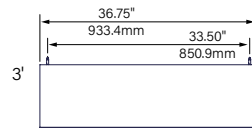
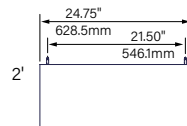


DIRECT TO GRID BAGGED HARDWARE

2" Grid Bracket
(14469)



MOUNTING LOCATIONS



CANNOT BE JOINED IN THE FIELD

CANNOT BE CUT TO LENGTH IN THE FIELD

SUSPENDED INSTALLATION:
 DRYWALL/HARD SURFACE - PG. 2
 CEILING STRUT - PG. 3
 GRID CEILING - PG. 3

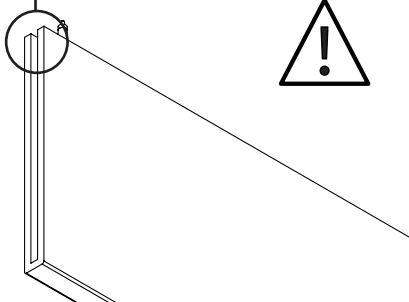
DIRECT INSTALLATIONS:
 DIRECT TO STRUT - PG. 4
 DIRECT TO GRID - PG. 4

SUSPENSION CABLE INSTALLATION

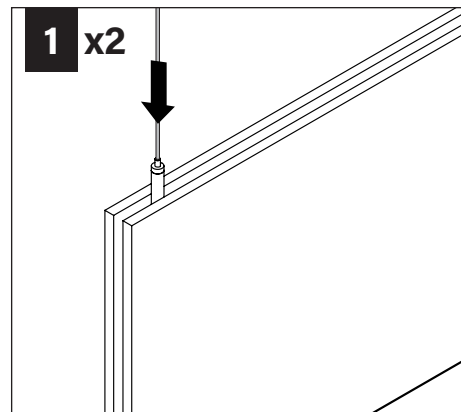
I

FOLLOW FOCAL POINT
INSTRUCTIONS FOR
UNIVERSAL SUSPENSION
SYSTEM ASSEMBLY
SEE IS0166

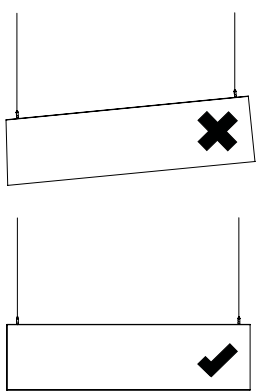
DO NOT HANDLE BY LIP OF
ACOUSTIC MATERIAL



1 x2

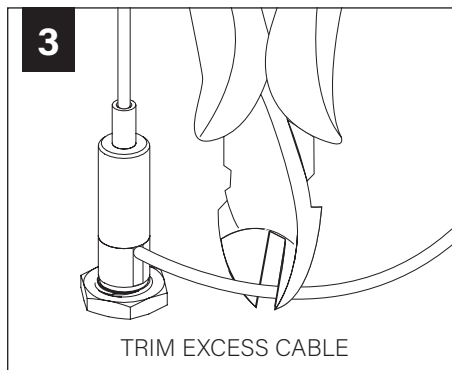


2



OPTIONAL

3



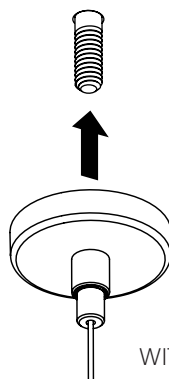
DRYWALL/HARD SURFACE CEILING INSTALLATION (SUSPENDED)

1



INSTALL 1/4" - 20 ANCHOR (BY OTHERS)
IN CEILING SUBSTRATE

2

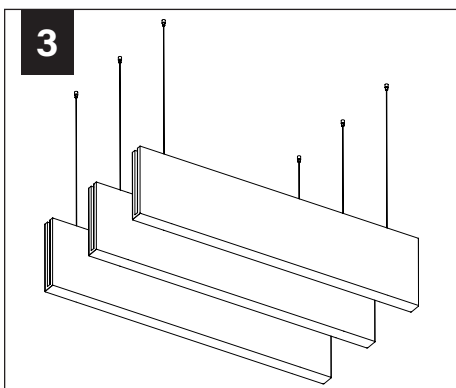


WITH CANOPY

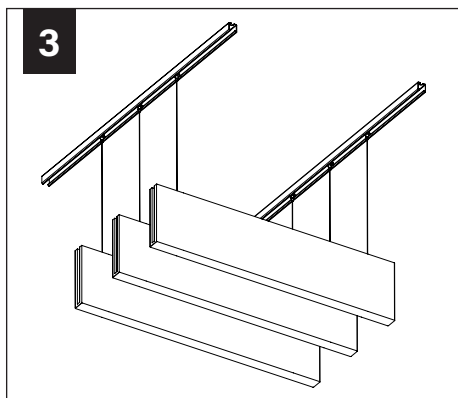
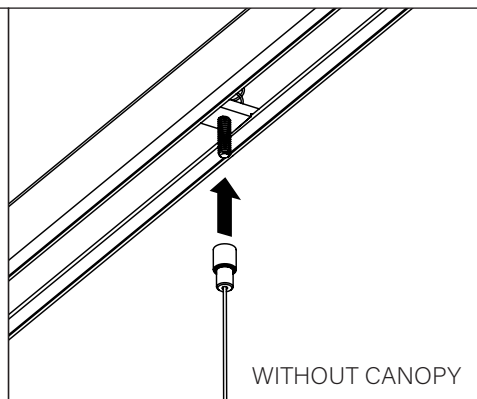
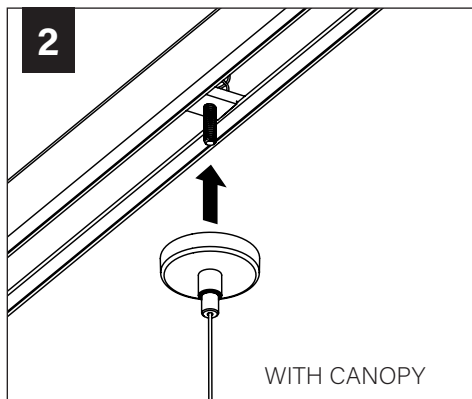
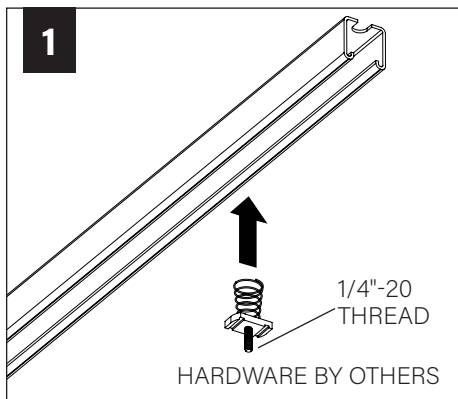


WITHOUT CANOPY

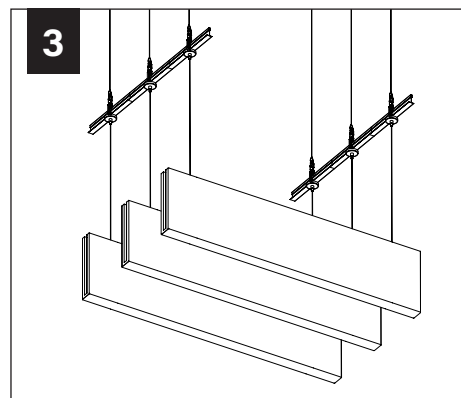
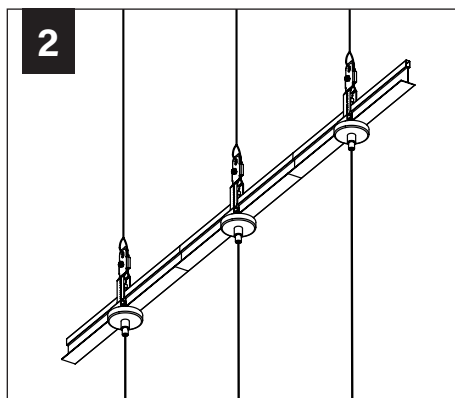
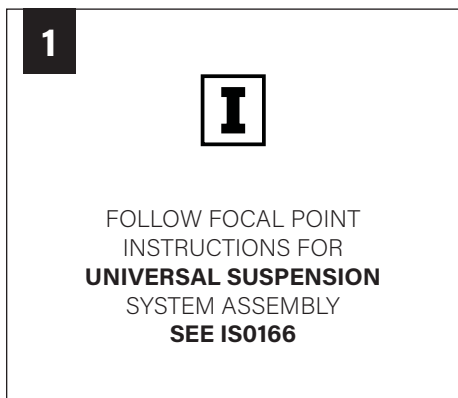
3



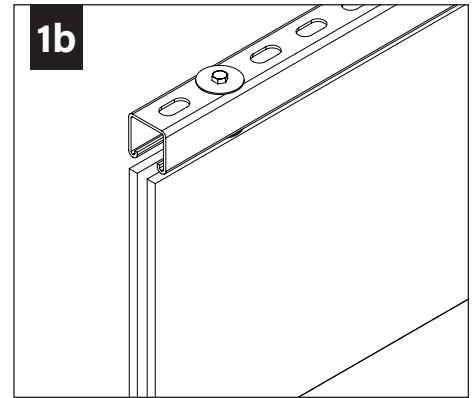
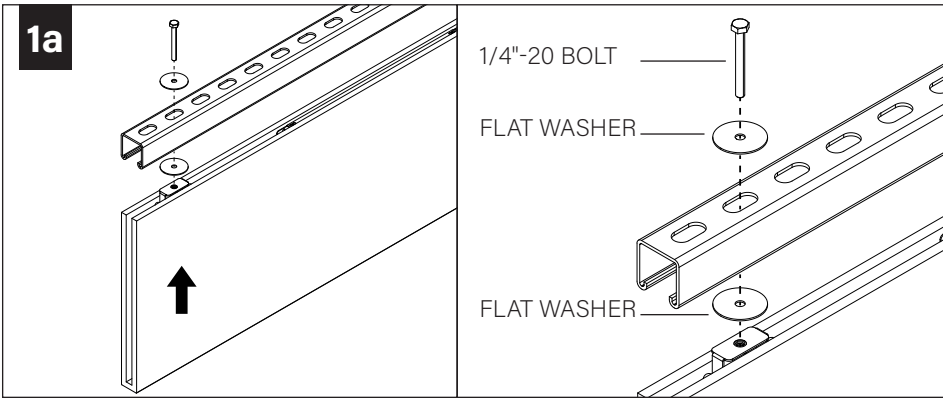
CEILING STRUT INSTALLATION (SUSPENDED)



GRID CEILING INSTALLATION (SUSPENDED)



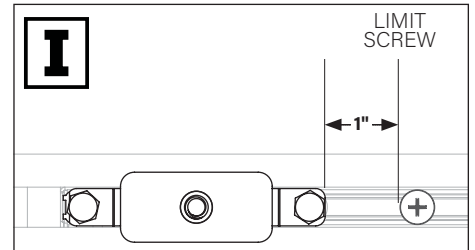
DIRECT TO STRUT INSTALLATION



HARDWARE PROVIDED FOR 1-5/8" STRUT HEIGHT.

CONTACT FOCAL POINT IF DIFFERENT HARDWARE IS REQUIRED FOR INSTALLATION.

Strut Height	Bolt: 1/4-20 x
13/16"	1.5"
7/8"	1.5"
1"	1.75"
1-3/8"	2"
1-5/8"	2.25"
2-7/16"	3"
3-1/4"	4"



SLIDE BRACKET UP TO 1"
TO ALIGN BRACKET & STRUT

DIRECT TO GRID INSTALLATION

