

# AirCore Blade

AUABS



FOCAL POINT®

## BEFORE YOU BEGIN

- Products must be installed by a qualified professional (check with local and national codes for proper installation).
- Contractor is responsible for adequately reinforcing walls and/or ceilings to support fixture weight.
- Focal Point, LLC accepts no responsibility for inadequately reinforced walls and/or ceilings.
- The information contained in this drawing is the sole property of Focal Point, LLC. Any reproduction in part or whole without the written permission of Focal Point, LLC is prohibited.

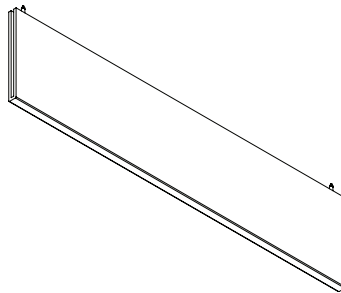
## INSTRUCTION KEY

**ATTENTION**

**SEE ADDITIONAL INSTRUCTIONS**

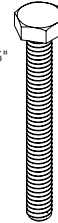
## COMPONENT KEY

### FOCAL POINT

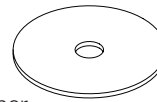


### DIRECT TO STRUT BAGGED HARDWARE

Bolt  
1/4-20 x 2.25"  
(700387)

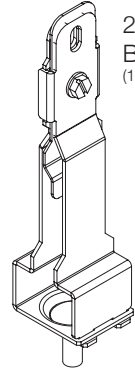


Flat Washer  
1.5" x .281" x .062"  
(75221)

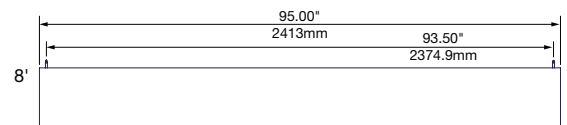
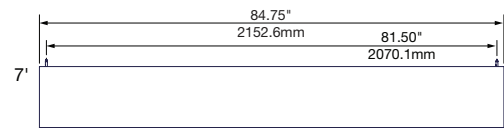
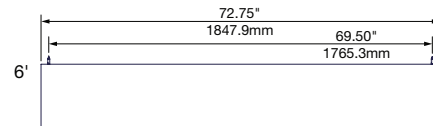
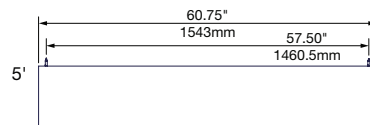
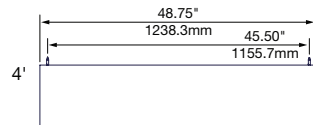
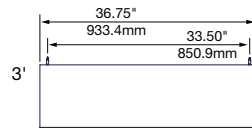
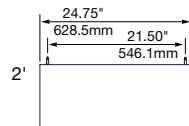


### DIRECT TO GRID BAGGED HARDWARE

2" Grid Bracket  
(14469)



### MOUNTING LOCATIONS



**CANNOT BE JOINED  
IN THE FIELD**

**CANNOT BE CUT TO LENGTH  
IN THE FIELD**

**SUSPENDED INSTALLATION:**  
DRYWALL/HARD SURFACE - PG. 2  
CEILING STRUT - PG. 3  
GRID CEILING - PG. 3

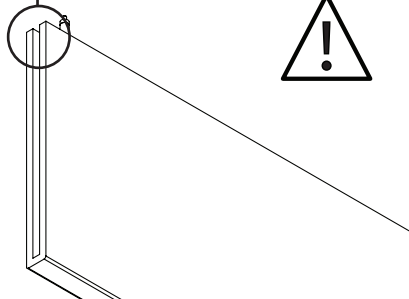
**DIRECT INSTALLATIONS:**  
DIRECT TO STRUT - PG. 4  
DIRECT TO GRID - PG. 4

## SUSPENSION CABLE INSTALLATION

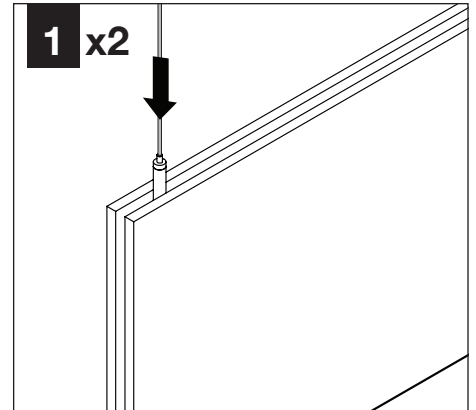
**I**

FOLLOW FOCAL POINT  
INSTRUCTIONS FOR  
**UNIVERSAL SUSPENSION**  
SYSTEM ASSEMBLY  
SEE IS0166

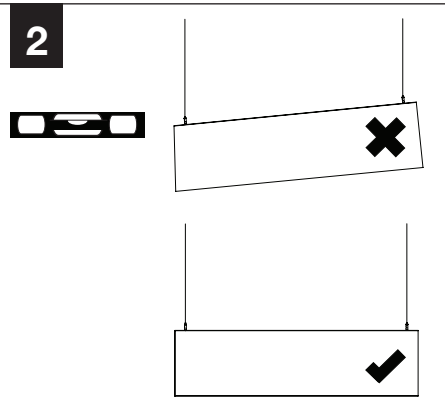
DO NOT HANDLE BY LIP OF  
ACOUSTIC MATERIAL



**1** x2

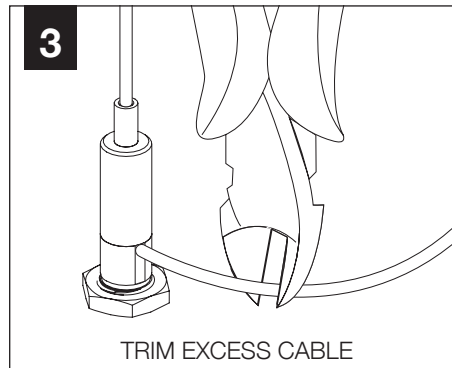


**2**



OPTIONAL

**3**



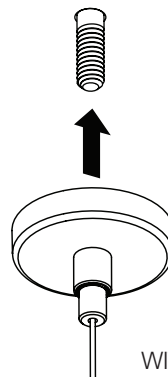
## DRYWALL/HARD SURFACE CEILING INSTALLATION (SUSPENDED)

**1**



INSTALL 1/4" - 20 ANCHOR (BY OTHERS)  
IN CEILING SUBSTRATE

**2**

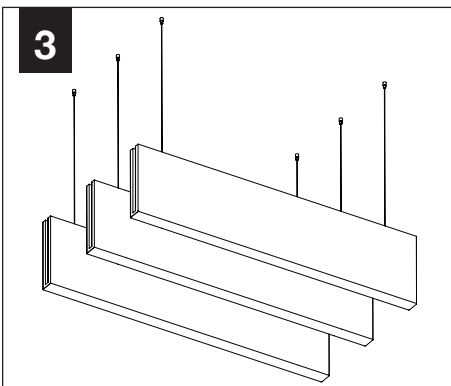


WITH CANOPY

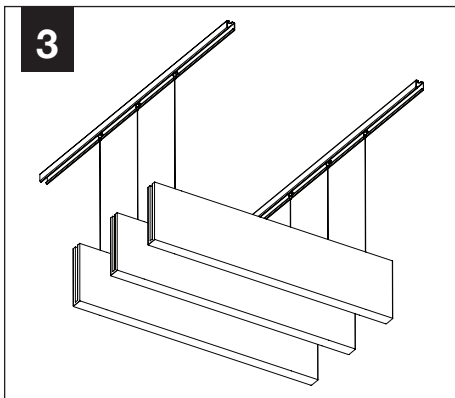
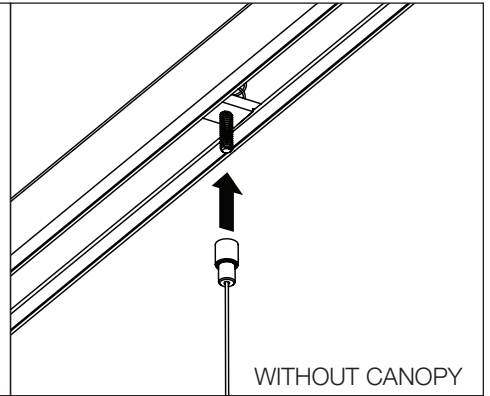
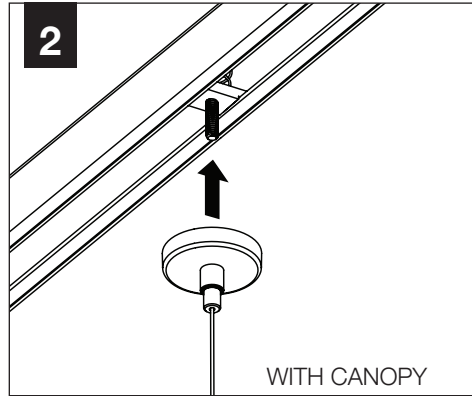
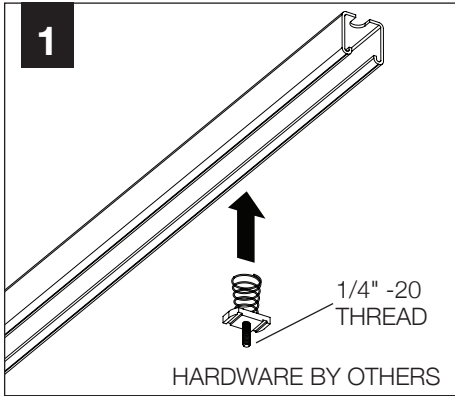


WITHOUT CANOPY

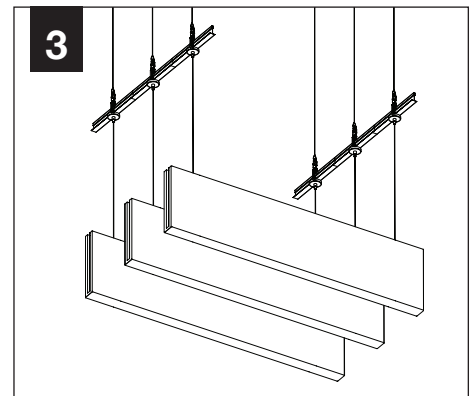
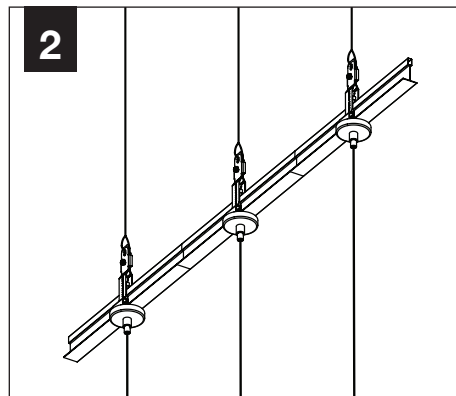
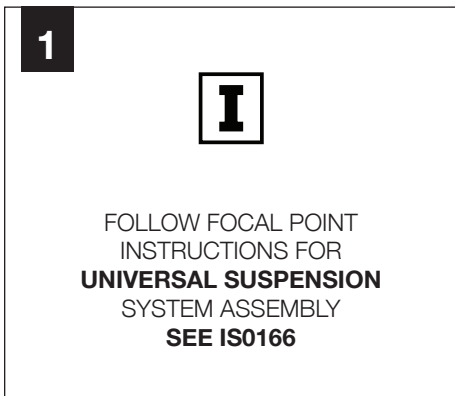
**3**



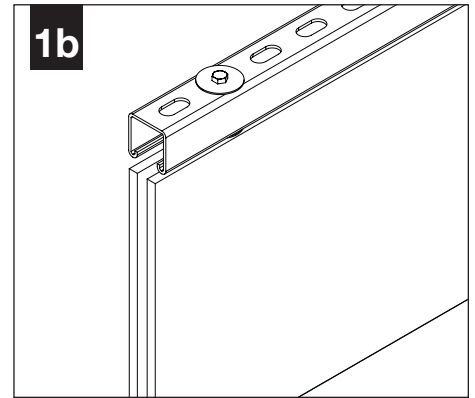
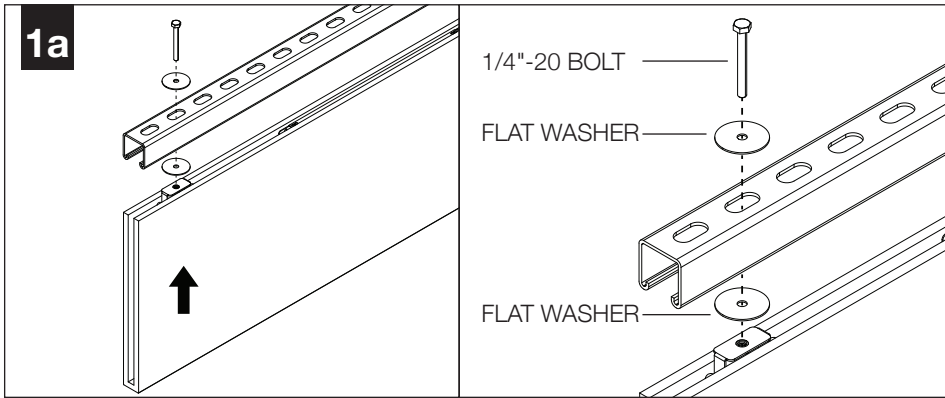
## CEILING STRUT INSTALLATION (SUSPENDED)



## GRID CEILING INSTALLATION (SUSPENDED)



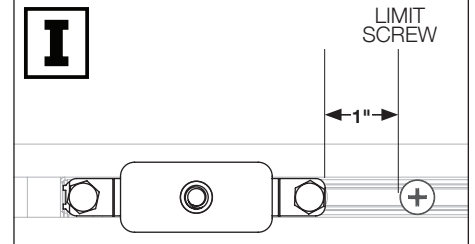
## DIRECT TO STRUT INSTALLATION



### HARDWARE PROVIDED FOR 1-5/8" STRUT HEIGHT.

CONTACT FOCAL POINT IF DIFFERENT HARDWARE IS REQUIRED FOR INSTALLATION.

Strut Height	Bolt: 1/4-20 x
13/16"	1.5"
7/8"	1.5"
1"	1.75"
1-3/8"	2"
<b>1-5/8"</b>	<b>2.25"</b>
2-7/16"	3"
3-1/4"	4"



**SLIDE BRACKET UP TO 1" TO ALIGN BRACKET & STRUT**

## DIRECT TO GRID INSTALLATION

