

# AirCore Bridge™

AUABG

AirCore Technology™



FOCAL POINT®



## BEFORE YOU BEGIN

- Configurations are run specific, please consult factory drawings before beginning installation.
- Luminaires must be installed by a qualified electrician (check with local and national codes for proper installation).
- To prevent electrical shock, disconnect electrical supply before installation or servicing.
- Contractor is responsible for adequately reinforcing walls and/or ceilings to support fixture weight.
- Focal Point, LLC accepts no responsibility for inadequately reinforced walls and/or ceilings.
- The information contained in this drawing is the sole property of Focal Point, LLC. Any reproduction in part or whole without the written permission of Focal Point, LLC is prohibited.

## INSTRUCTION KEY



ATTENTION



SEE ADDITIONAL INSTRUCTIONS



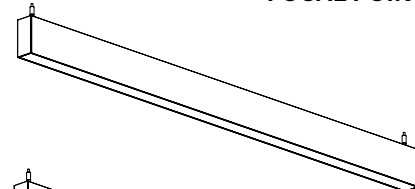
POWER OFF



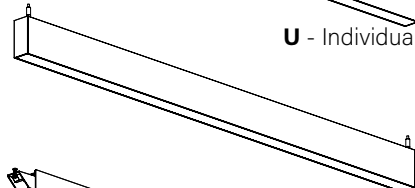
POWER ON

## COMPONENT KEY

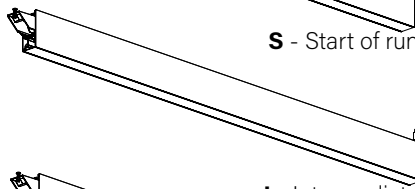
### FOCAL POINT



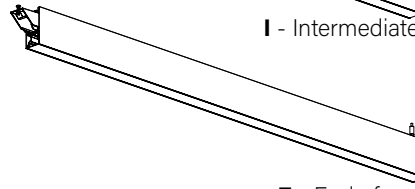
U - Individual



S - Start of run



I - Intermediate



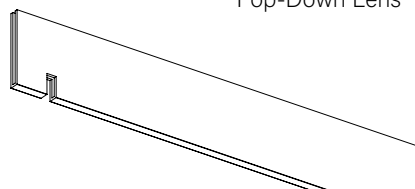
E - End of run



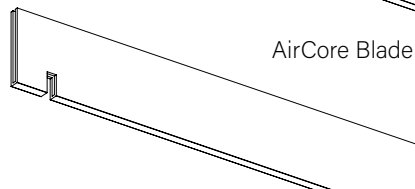
Flush Lens



Pop-Down Lens

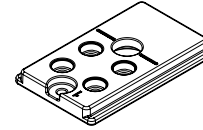


AirCore Blade - Truss

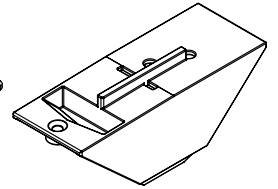


AirCore Blade - Cantilever

### SHIPPED INSTALLED



Alignment Plate  
(A46949-01)



Joiner  
(A46895-01)

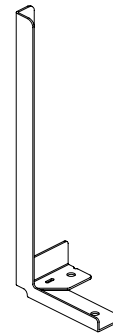


Alignment Plate Screw  
8-32 x 7/8"  
(700366)



Joiner Screw  
10-32 x 3/4"  
(700365)

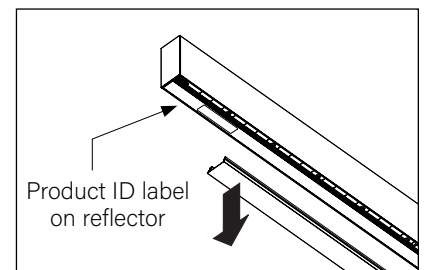
### SHIPPED IN HARDWARE BAG

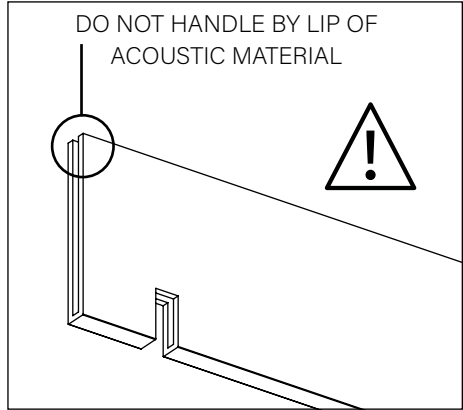
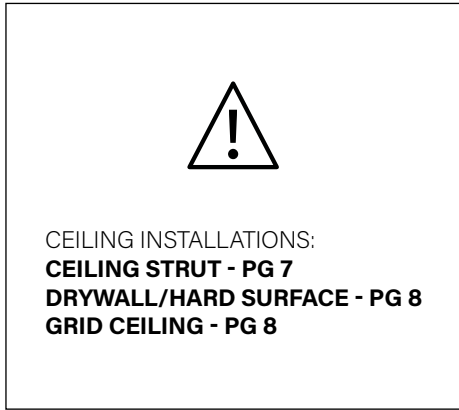
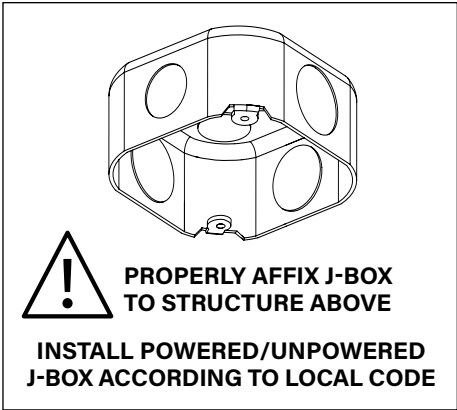


Blade Mounting Bracket  
8" - (A55758-01)  
12" - (A55758-02)  
16" - (A55758-03)

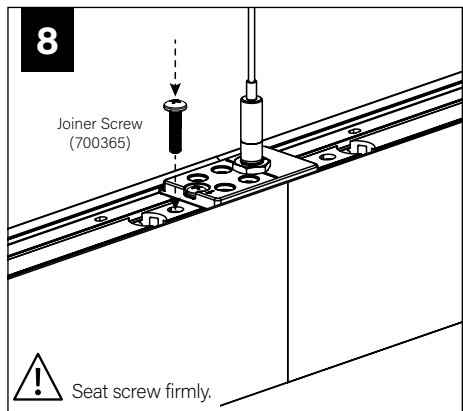
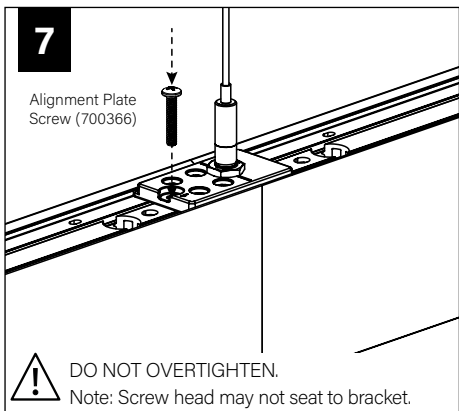
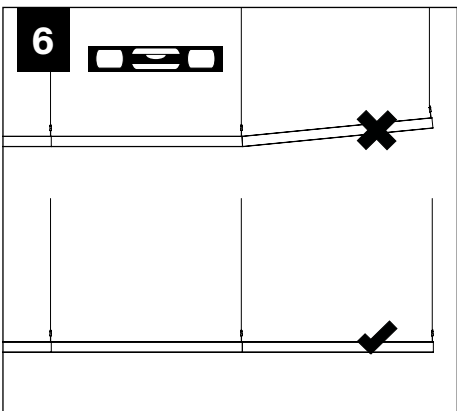
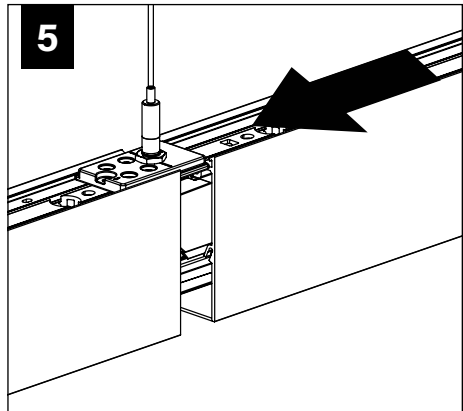
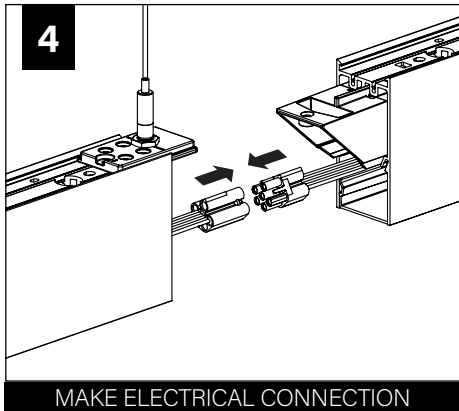
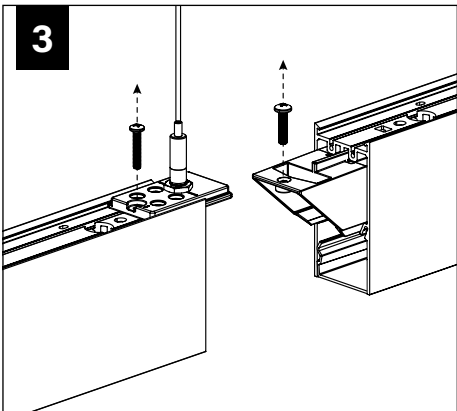
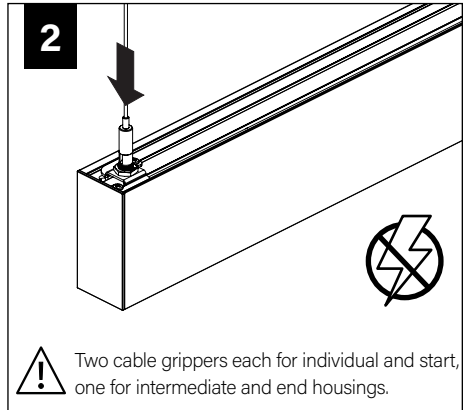
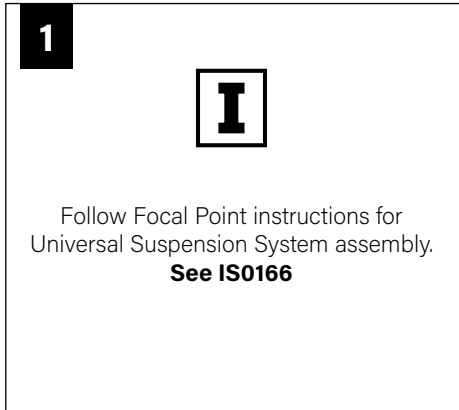


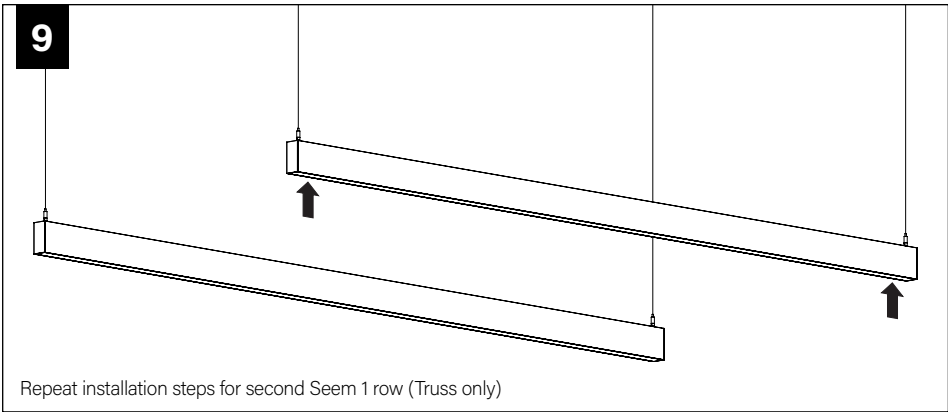
Blade Mounting  
Bracket Screw  
6-20 x 1/4"  
(72026)



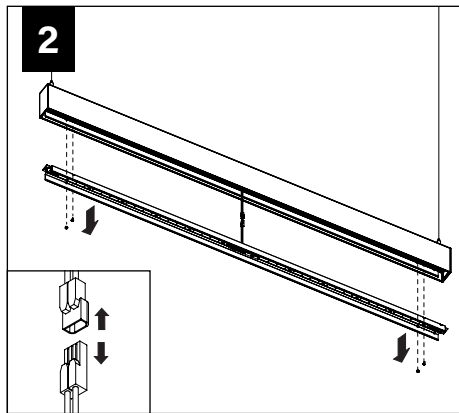
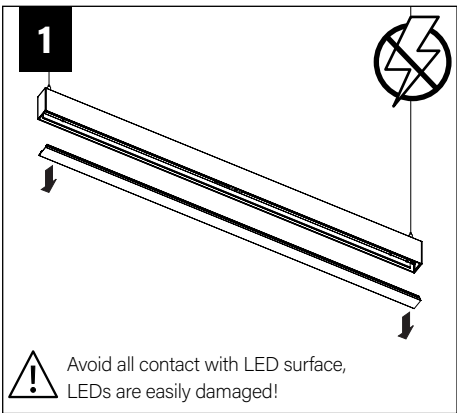


**SEEM 1 INSTALLATION**





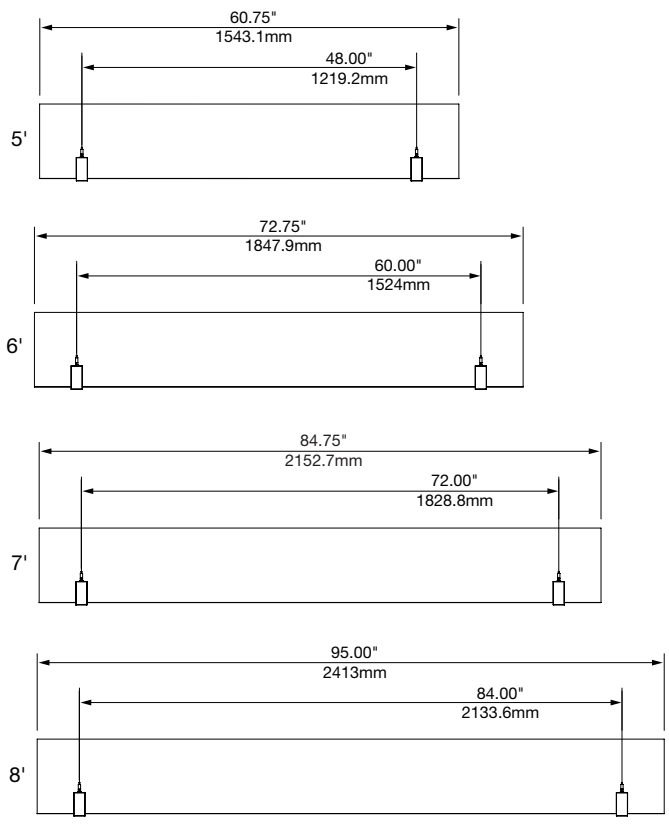
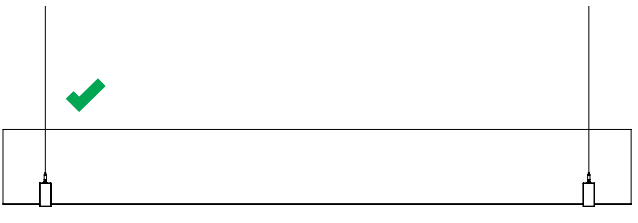
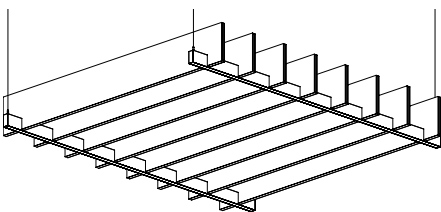
## DRIVER SERVICE

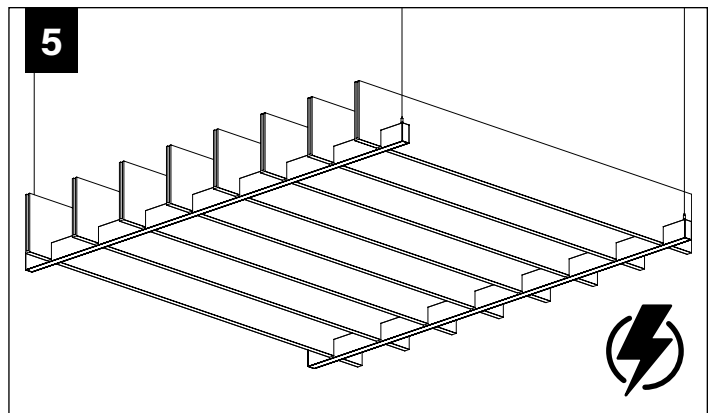
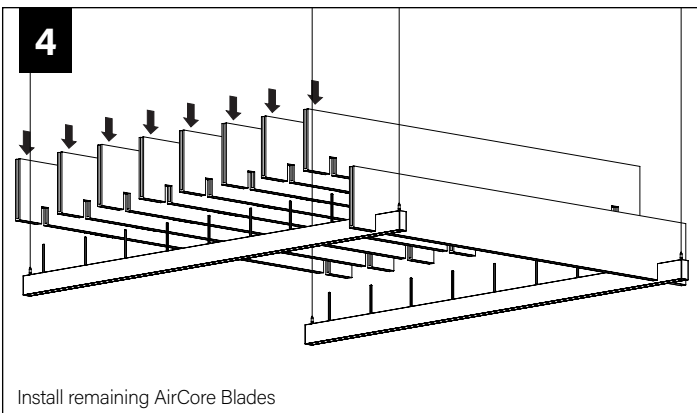
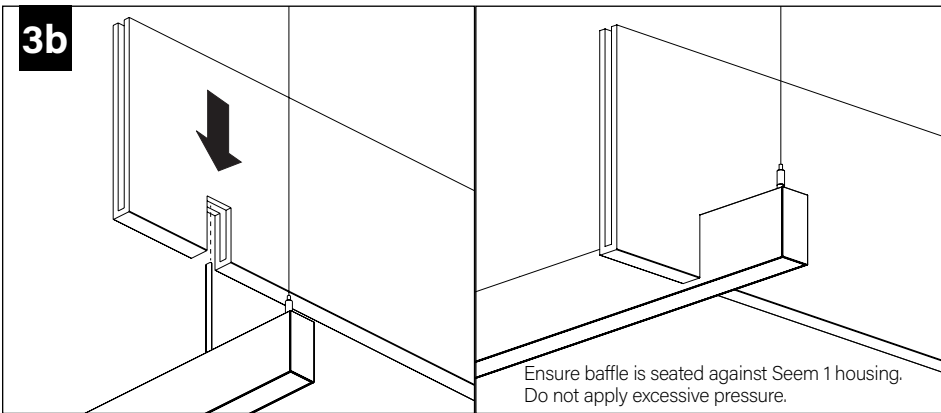
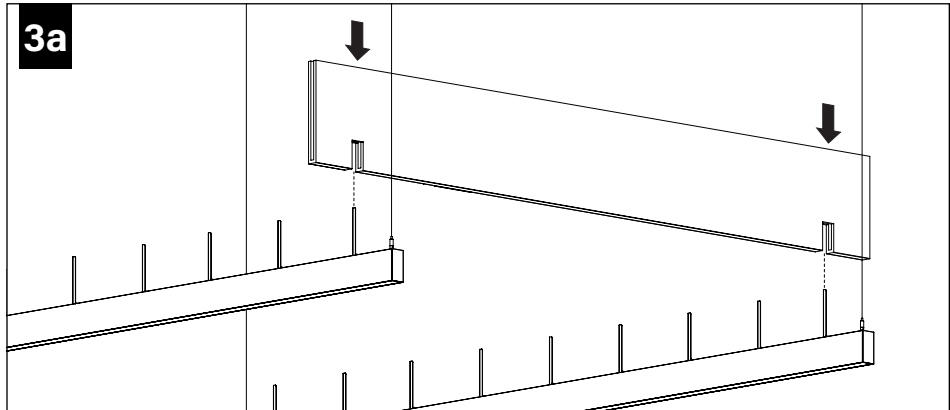
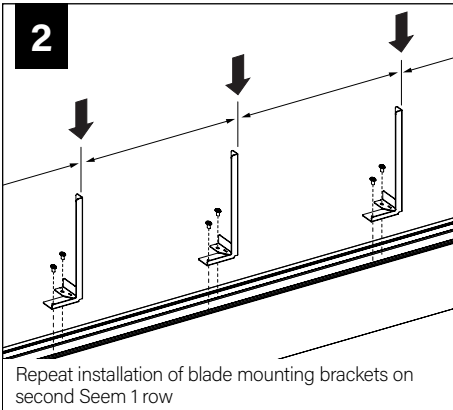
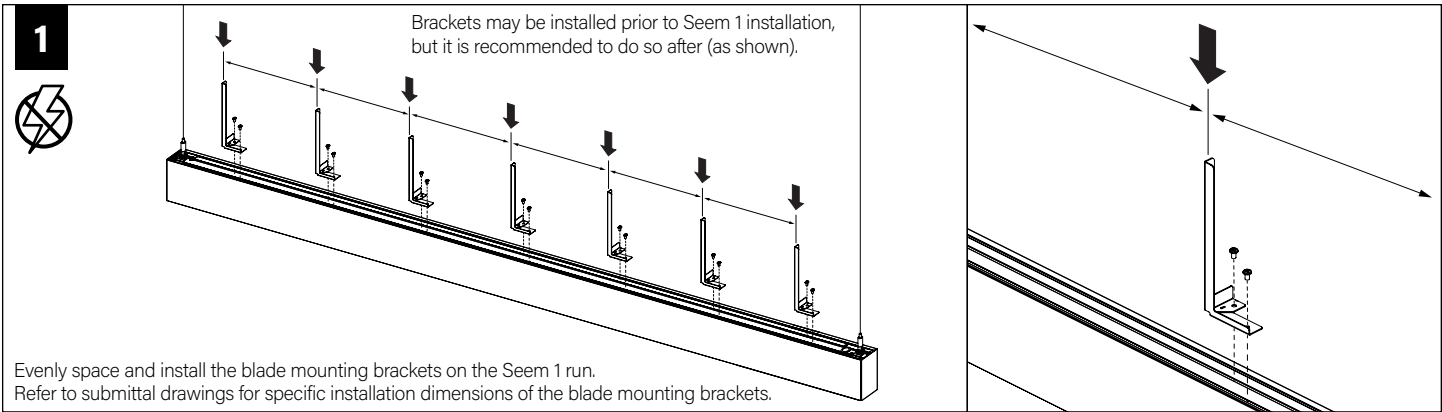


## AIRCORE BRIDGE TRUSS INSTALLATION

**MOUNTING LOCATIONS - TRUSS**

On-center spacing tolerance between suspension points is critical for proper installation of AirCore Blades



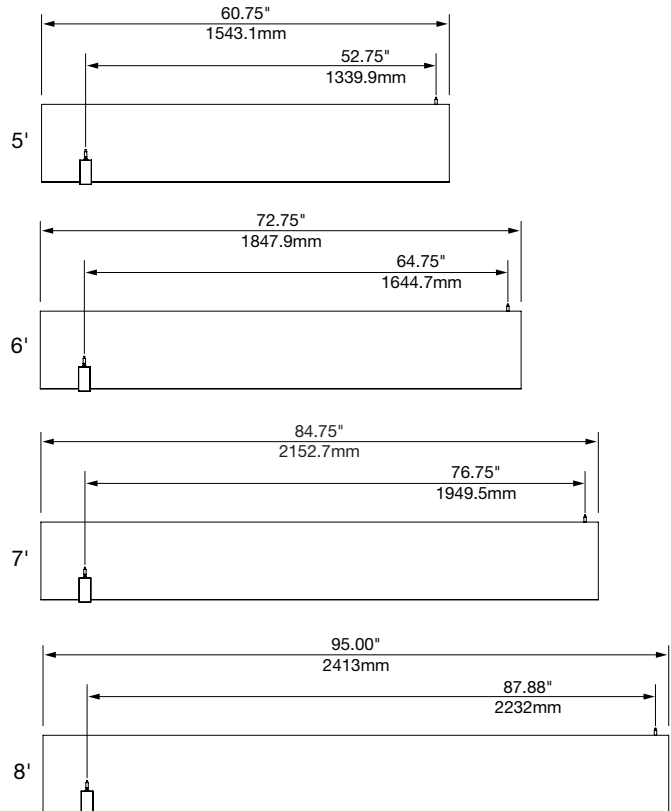
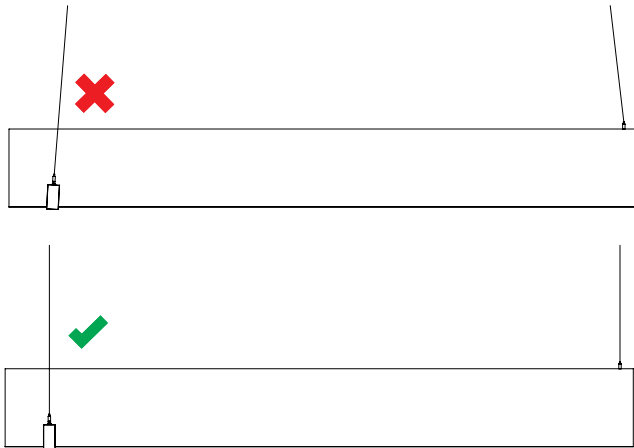
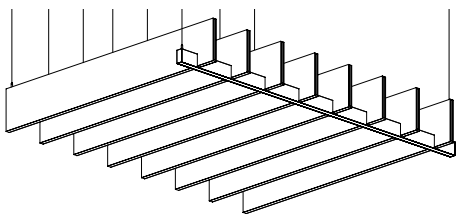


# AIRCORE BRIDGE CANTILEVER/ CANTILEVER WAVE INSTALLATION



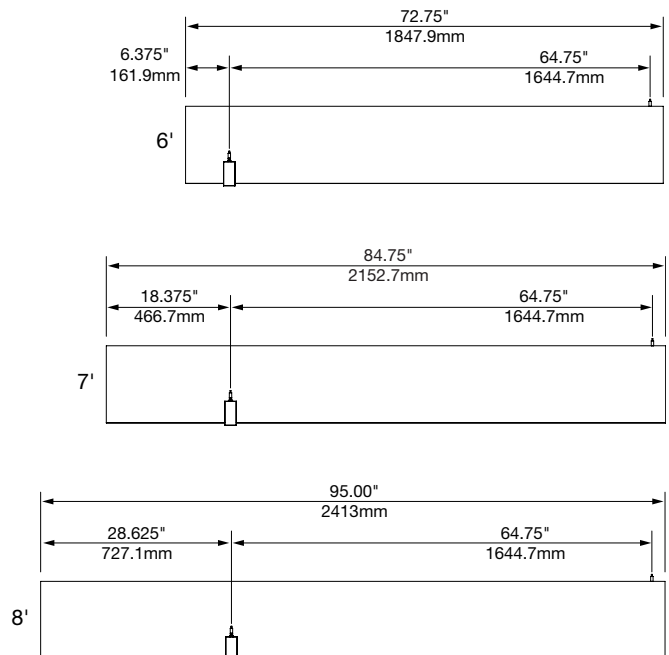
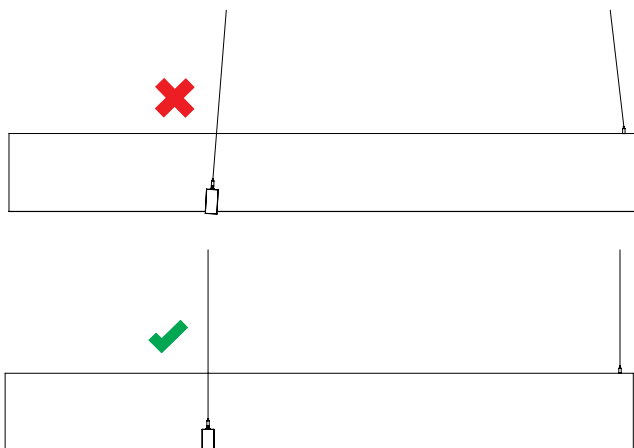
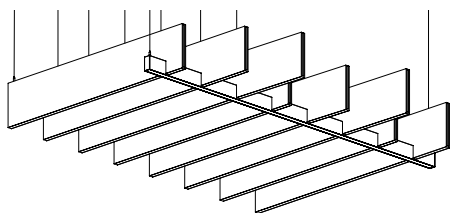
## MOUNTING LOCATIONS - CANTILEVER

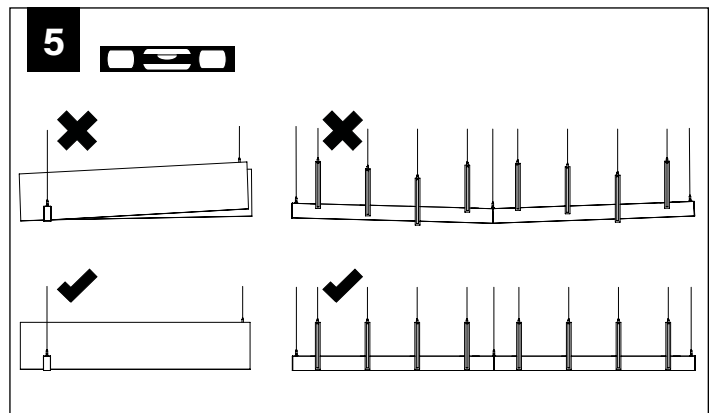
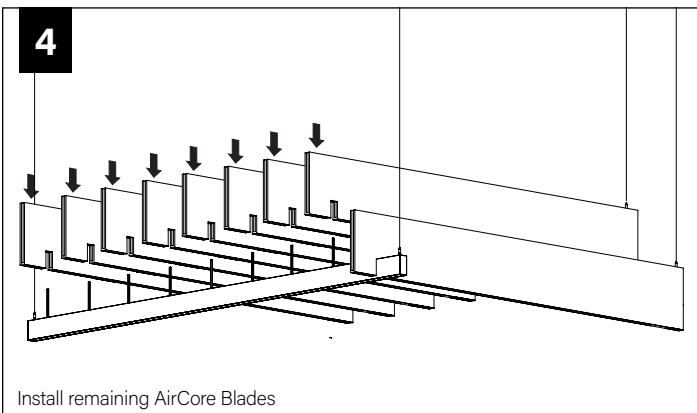
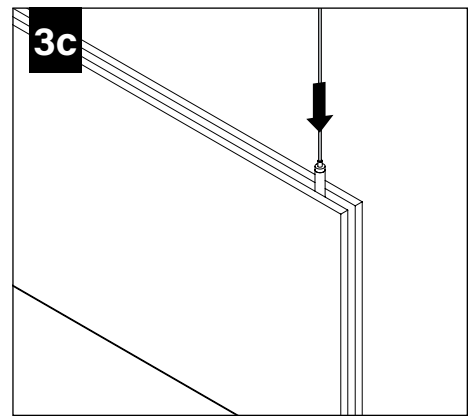
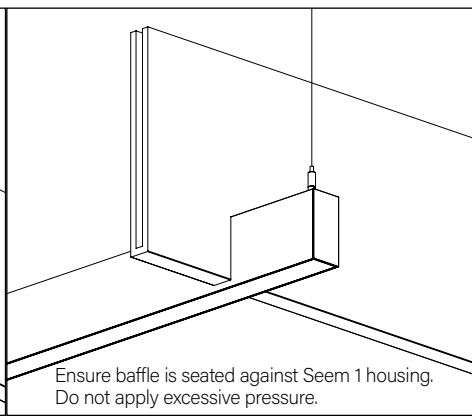
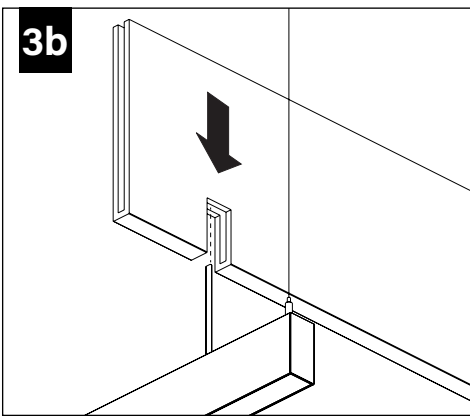
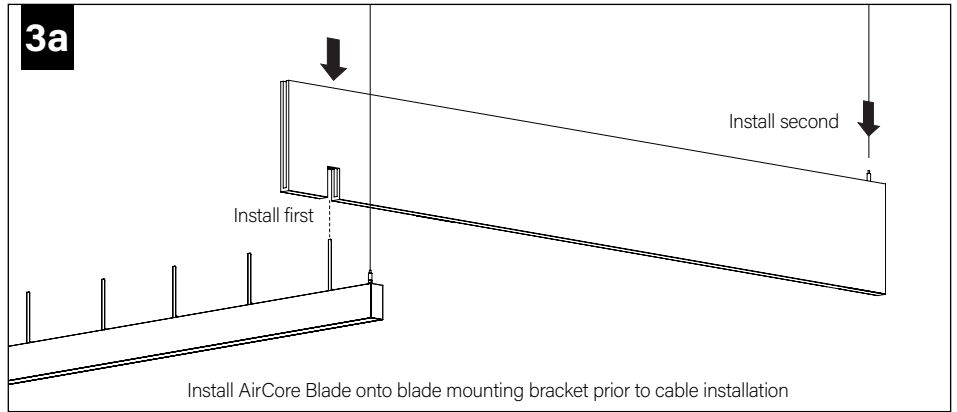
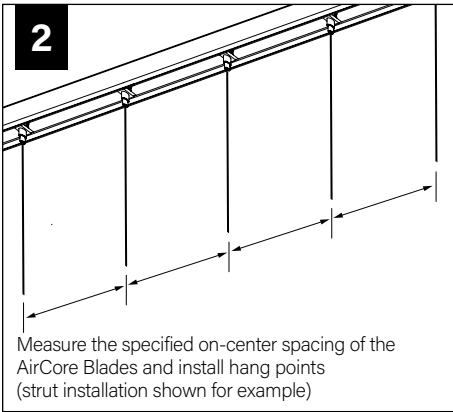
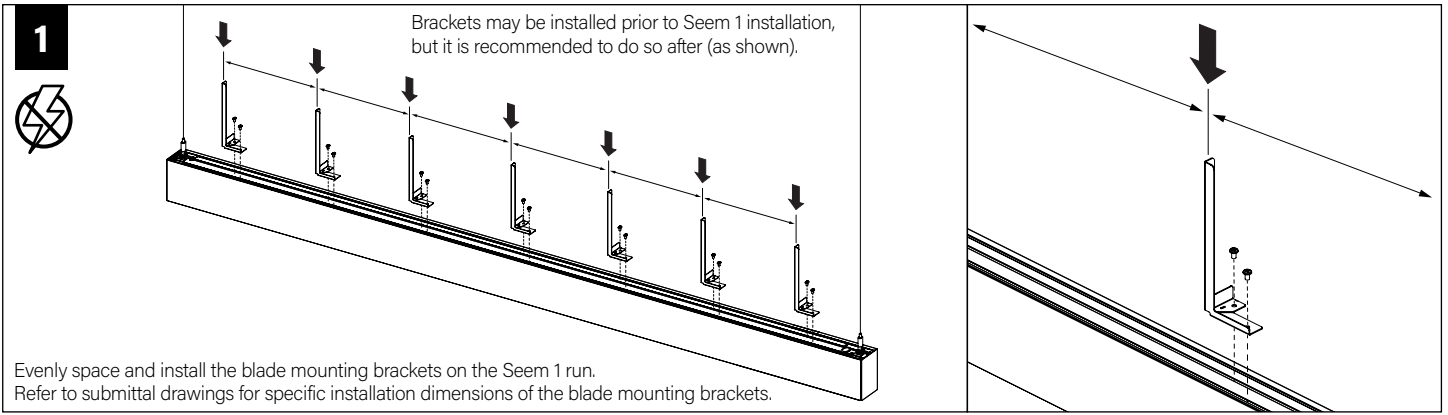
On-center spacing tolerance between suspension points is critical for proper installation of AirCore Blades

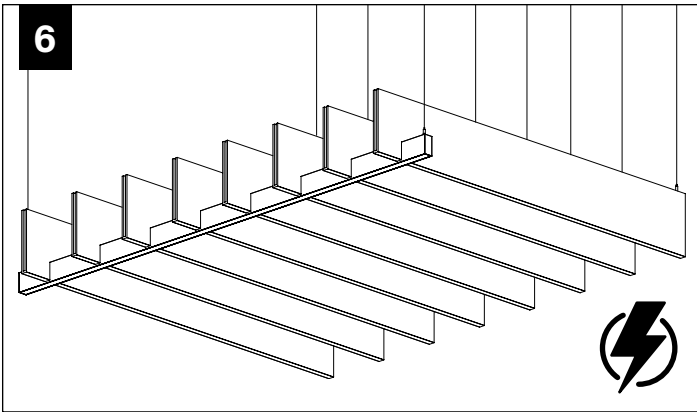


## MOUNTING LOCATIONS - CANTILEVER WAVE

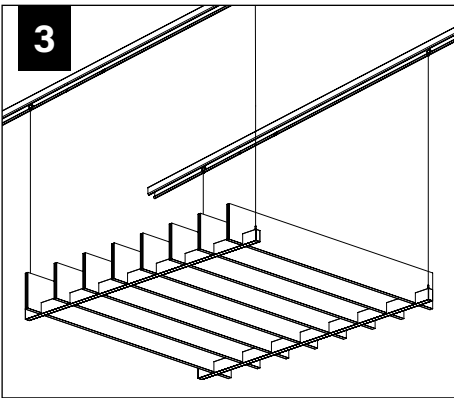
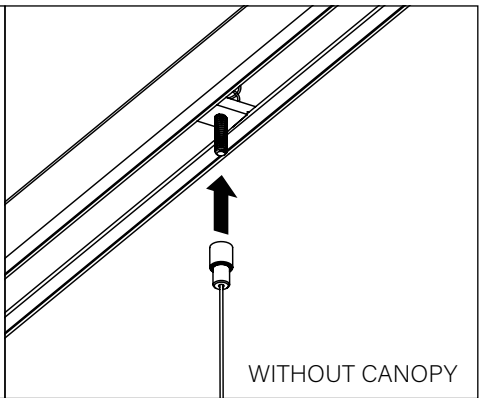
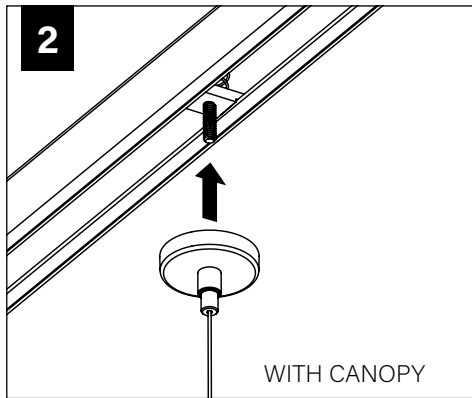
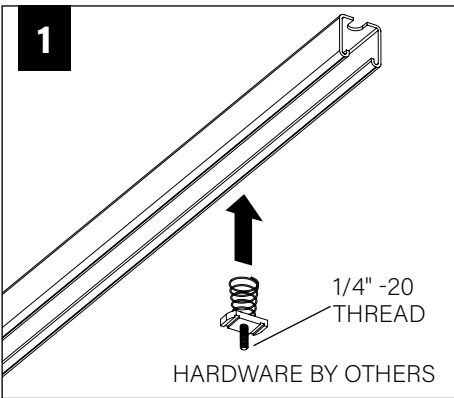
On-center spacing tolerance between suspension points is critical for proper installation of AirCore Blades



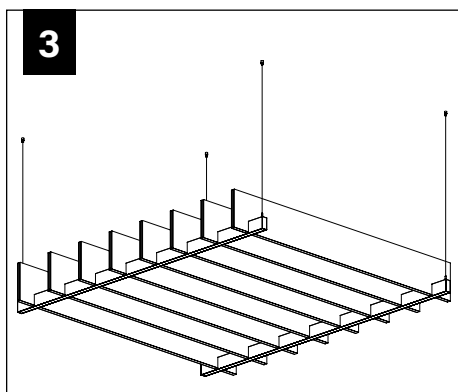
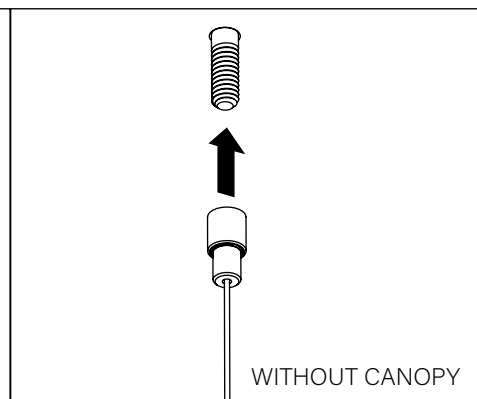
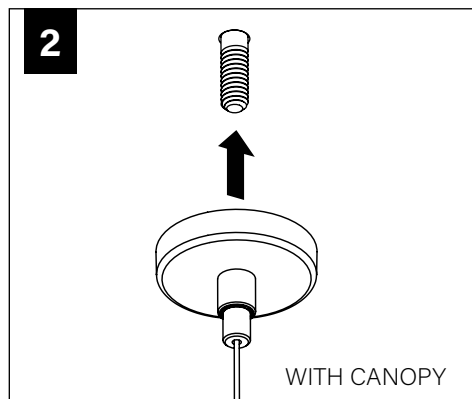
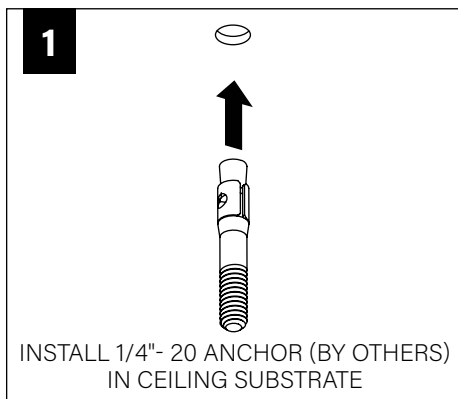




## CEILING STRUT INSTALLATION



## DRYWALL/HARD SURFACE CEILING INSTALLATION



## GRID CEILING INSTALLATION

