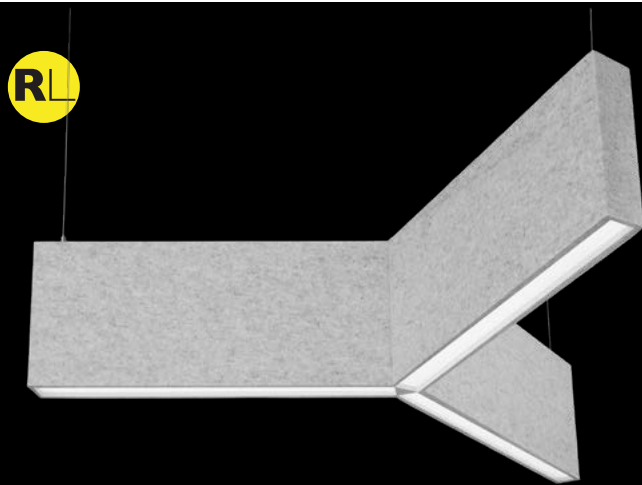
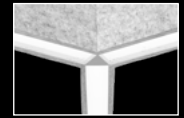


Seem® 1 Acoustic Trio

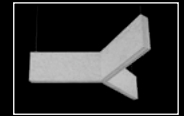
LED DIRECT



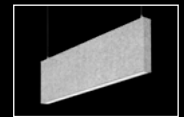
The Naturals collection - Gray Elm shown



Center detail

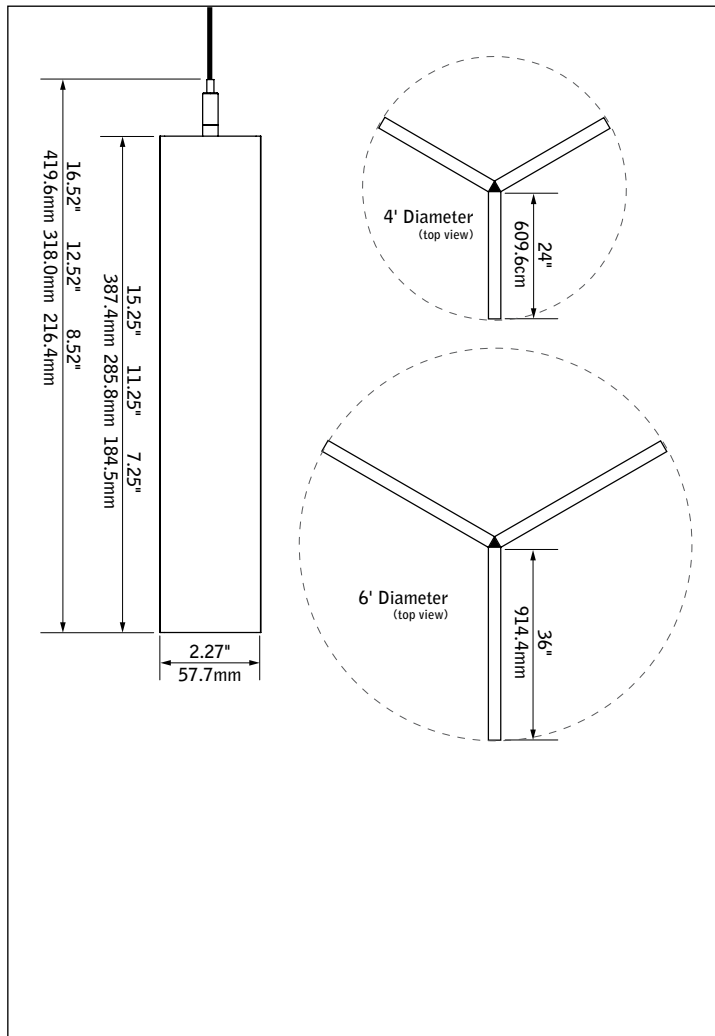


Unlit companion



Seem 1 Acoustic companion

DIMENSIONAL DATA



FEATURES

Narrow, sound absorbing 1.5" aperture 'Y' shaped acoustic pendant with direct distribution.

Available in 4' and 6' diameters with 8", 12", and 16" nominal housing heights.

LED position and lens material optimized to provide the perfect blend of high performance and visual comfort.

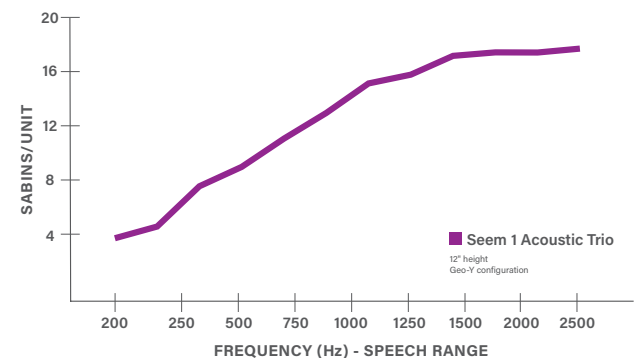
Engineered to maximize sound absorption and to create a statement as a stand-alone pendant, in a cluster or as part of a system when paired with Seem 1 Acoustic.

AirCore™; patent pending, eco-friendly technology that maximizes sound absorption and reduces ecological impact.

Wide range of color options provides design flexibility and personalization for any project.

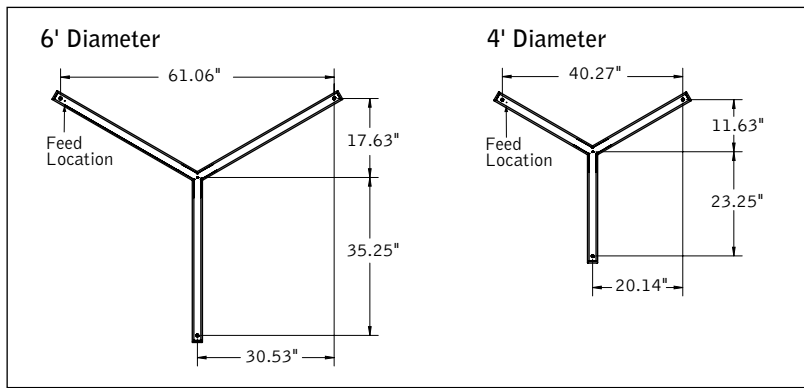
Available with The Naturals, a series of finishes that exude biophilic beauty.

ACOUSTIC PERFORMANCE



All products were tested in multiple configured arrays. Total absorption will vary based on configuration. Please refer to ASTM C423 reports for more information.

MOUNTING DETAILS



SPECIFICATIONS
Acoustic Material

| | |
|--|---|
| Content | Housing material is 100% polyester containing up to 50% of recycled plastic bottles (PET felt) and is moisture resistant. See page 3 for color offering. Acoustic material colors are subject to change without notice. For the most current color options, please visit focalpointlights.com/acousticsolutions. Lead times may vary depending on color. |
| Cleaning and Care | Remove dust and debris with a clean, soft, lint-free cloth or vacuum |
| PET Thickness | 9mm |
| Surface Burning Characteristics | ASTM E84 Class A / CAN ULC S102 Flame Spread: 0 Smoke Development Index: 300 |

Acoustic Performance

Acoustic testing is performed on all Focal Point acoustic products and varies based on installation and configuration. ASTM C423 test reports can be downloaded from focalpointlights.com. Contact acoustic.solutions@focalpointlights.com for technical questions.

| | |
|---------------|--|
| Sabins | Sabins is a unit of sound absorption. It measures how well one square foot of material absorbs sound. Focal Point has averaged the Sabins per unit at four specific frequency bands representing the human speech range (250, 500, 1000, 2000 Hz) to determine the Sabins per product. Sabins/unit varies based on configuration: Geo Y Configuration = 12.24 Sabins Staggered Hex Configuration = 12.07 Sabins |
|---------------|--|

LED System

Proprietary linear LED module incorporates premium LEDs on a robust platform to achieve excellent thermal management. LEDs are placed to promote a uniform appearance. Available in 3000K, 3500K or 4000K with both 80 and 90 CRI options. LED drivers are replaceable from above. Color accuracy <3 SDCM.

Weight

12" height, 4' diameter = 17.5lbs. 12" height, 6' diameter = 26.3lbs.

Optic

Reflectors fabricated of 22 Ga. steel finished in Matte White powder coat. Extruded acrylic lens .05" thick with frosted finish, up to 8' continuous. 0.02" thick clear acrylic dust cover.

Electrical

Luminaires are pre-wired with factory installed branch circuit wiring and over-molded quick connects. Standard 120-277V constant current driver includes 0-10V analog dimming. Power factor > .9. Power cord white as standard.

Canopy

Polyester powder coat applied over a multi-stage pre-treatment. Canopy white as standard.

Labels

ETL listed in accordance with UL standards. Suitable for Dry Locations, indoor use only.

Lumen Maintenance

Reported: L70 at >61,000 hours Calculated: L70 at 470,000 hours
 L90 at >61,000 hours L90 at 115,000 hours

Derived from EPA TM-21 calculator. Based on typical conditions, consult factory for additional data.

Reliability

At Focal Point, our products are designed to stand the test of time. Each luminaire is engineered using superior components, manufactured with the utmost care and rigorously tested. Contact us for reliability data.

Warranty

LED system rated for operation in ambient environments up to 25°C. 5-year limited warranty.

4' PERFORMANCE CHART

See page 4

ORDERING

| | |
|---|---------------|
| Luminaire Series | ASM1TP |
| Seem 1 Acoustic Trio Direct | ASM1TP |
| Nominal Size | |
| 4' Diameter | 4 |
| 6' Diameter | 6 |
| Shielding | RL |
| Regress lens | RL |
| Luminaire Height <small>(heights are nominal)</small> | |
| 8" nominal | 8 |
| 12" nominal | 12 |
| 16" nominal | 16 |
| Direct Lumen Output | |
| 4' Diameter | |
| 600 Lumens | 600L |
| 1200 Lumens | 1200L |
| 1800 Lumens | 1800L |
| 2400 Lumens | 2400L |
| 3000 Lumens | 3000L |
| 6' Diameter | |
| 900 Lumens | 900L |
| 1800 Lumens | 1800L |
| 2700 Lumens | 2700L |
| 3600 Lumens | 3600L |
| 4500 Lumens | 4500L |
| Color Temperature | |
| 3000K, 80CRI or 90CRI | 30K or 930K |
| 3500K, 80CRI or 90CRI | 35K or 935K |
| 4000K, 80CRI or 90CRI | 40K or 940K |
| Circuit | 1C |
| Single Circuit | 1C |
| Voltage | UNV |
| 120/277 UNV Volt | UNV |
| Control System & Dimming Level | |
| 0-10V - 10% Dimming | LD1 |
| 0-10V - 1% Dimming | L11 |
| Lutron Hi-Lume EcoSystem (LDE1) - 1% Dimming | LH1 |
| DALI 1% Dimming | D11 |
| Mounting <small>(Mounting hang kits ship with order. Power cable is 18" longer than suspension length.)</small> | |
| 24" Cable Suspension | J24__ |
| 48" Cable Suspension | J48__ |
| 96" Cable Suspension | J96__ |
| 120" Cable Suspension | J120__ |
| <small>(Specify canopy color White (WH), Black (BK) or Titanium Silver (TS). Example: J24WH.) (Consult factory for sloped ceiling applications)</small> | |
| Factory Options | |
| Black Cord | BKCD |
| Acoustic Panel Color <small>See page 3 for color offering (Consult factory for multi-colored units)</small> | |

Acoustic Materials



THE NATURALS (25% SCALE)



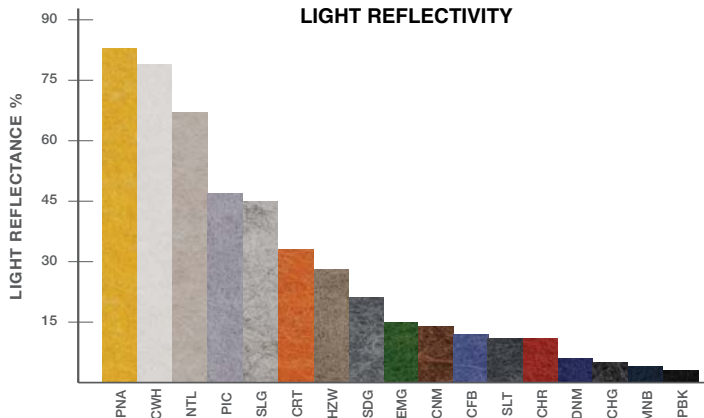
STANDARD PET



PREMIUM PET



LIGHT REFLECTIVITY



PET
Focal Point, LLC

Final Assembly: Chicago, Illinois, USA
Life Expectancy: 30 Year(s)
End of Life Options: Salvageable/Reusable in its Entirety, Recyclable (100%)

Ingredients:

Polyethylene terephthalate: PET; N, N'-Ethylene bisstearamide: Octadecanamide, N,N'-1,2-ethanediylbis-; Stearic Acid; Antioxidant 1076: Benzenepropanoic acid, 3,5-bis(1,1-dimethylethyl)-4-hydroxy-, octadecyl ester; Antioxidant KY-405: Benzenamine, 4-(1-methyl-1-phenylethyl)-N-[4-(1-methyl-1-phenylethyl)phenyl]; Titanium Dioxide: Titanium dioxide

Living Building Challenge Criteria:

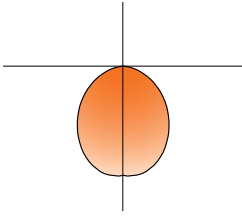
I-13 Red List:
 LBC Red List Free % Disclosed: 100% at 100ppm
 LBC Red List Approved VOC Content: Not Applicable
 Declared

I-10 Interior Performance: Not Compliant
I-14 Responsible Sourcing: Not Applicable

FPL-0001
EXP. 01 APR 2025
Original Issue Date: 2020

INTERNATIONAL LIVING FUTURE INSTITUTE™ living-future.org/declare

4' DIAMETER PERFORMANCE CHART



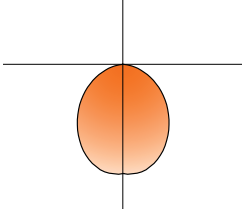
Regress Lens

Photometric performance is measured in accordance with IESNA LM-79. Visit focalpointlights.com for complete photometric data.

| Delivered Lumens | Tested System Watts | LPW |
|------------------|---------------------|-----|
| 600 | 7.2 | 85 |
| 1200 | 12.5 | 98 |
| 1800 | 17.9 | 101 |
| 2400 | 24.2 | 102 |
| 3000 | 30.2 | 100 |

*Based on 3500k, 80CRI, 4' lengths. Lumen multipliers: 90 CRI = 0.87. Lumen output may vary +/- 5%. Actual wattage may vary +/- 5%.

6' DIAMETER PERFORMANCE CHART



Regress Lens

Photometric performance is measured in accordance with IESNA LM-79. Visit focalpointlights.com for complete photometric data.

| Delivered Lumens | Tested System Watts | LPW |
|------------------|---------------------|-----|
| 900 | 9.0 | 103 |
| 1800 | 15.9 | 114 |
| 2700 | 23.4 | 116 |
| 3600 | 31.7 | 114 |
| 4500 | 40.0 | 113 |

*Based on 3500k, 80CRI, 4' lengths. Lumen multipliers: 90 CRI = 0.87. Lumen output may vary +/- 5%. Actual wattage may vary +/- 5%.